

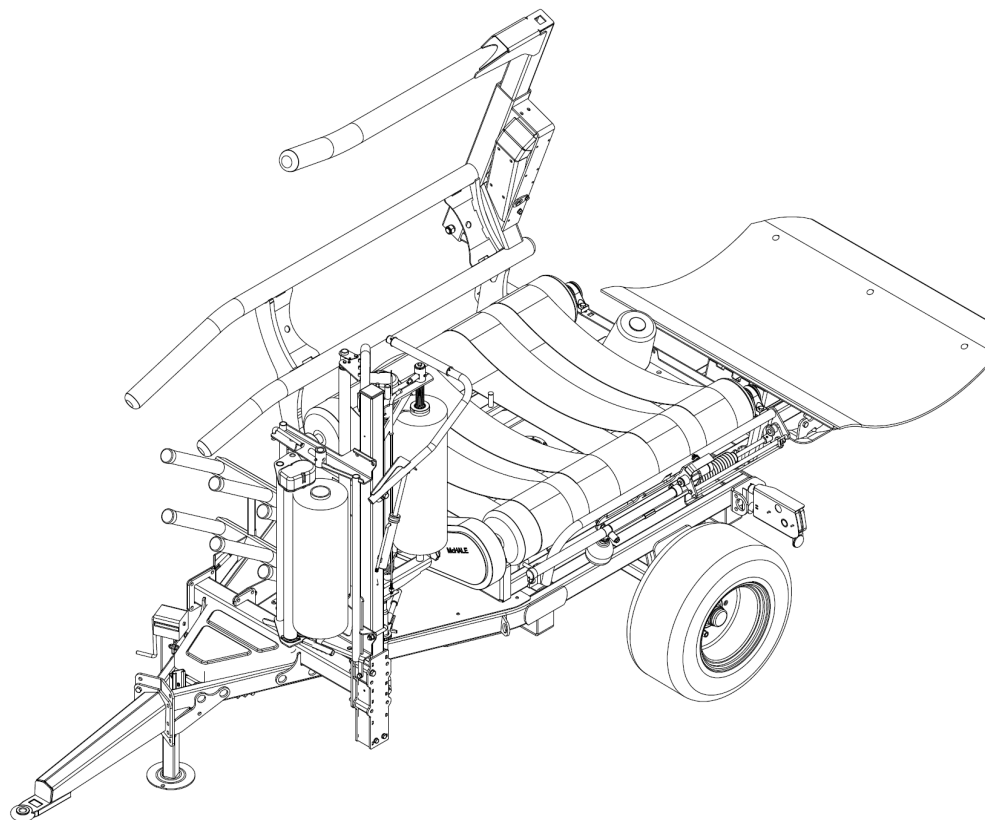
# **McHale** 991 High Speed



QUALITY

I.S. EN ISO 9001:2015

**NSAI Certified**



## **991 High Speed Spare Parts Book**

McHale,  
Ballinrobe,  
Co. Mayo, Ireland.

Tel: +353 94 9520300

Fax: +353 94 9520356

Email: [sales@mchale.net](mailto:sales@mchale.net)

Website: [www.mchale.net](http://www.mchale.net)

---

This page is intentionally left blank

---

## Introduction

---

The **McHale 991 High Speed** which you have purchased has been developed through years of constant research and development. Given proper care and attention the **991 High Speed** will give years of reliable and dependable performance. However it is important that the operators manual is read and fully understood to achieve this, **before** the machine is operated. As part of this philosophy it is vital to use only **genuine McHale** replacement parts, as these are manufactured to the same high standard as the original machine. These may be obtained through your **McHale** dealer.

If any part of this manual is not fully understood, please contact your **McHale** dealer who will be able to answer any questions or queries that you might have. It is important to quote the machine serial number when requiring spare parts or technical assistance. Space is provided below to record the machine details:

<b>Serial number:</b>	
<b>Year of manufacture:</b>	
<b>Date of delivery:</b>	

If you require further copies of this spare parts manual please  
quote part number CLT00278

**Note:** Parts described as left and right are done so according to the direction that the machine normally travels in.

**Note:** Due to a policy of continuous product development and improvement *McHale Engineering* reserve the right to alter machine specifications without prior notice.

---

# Contents

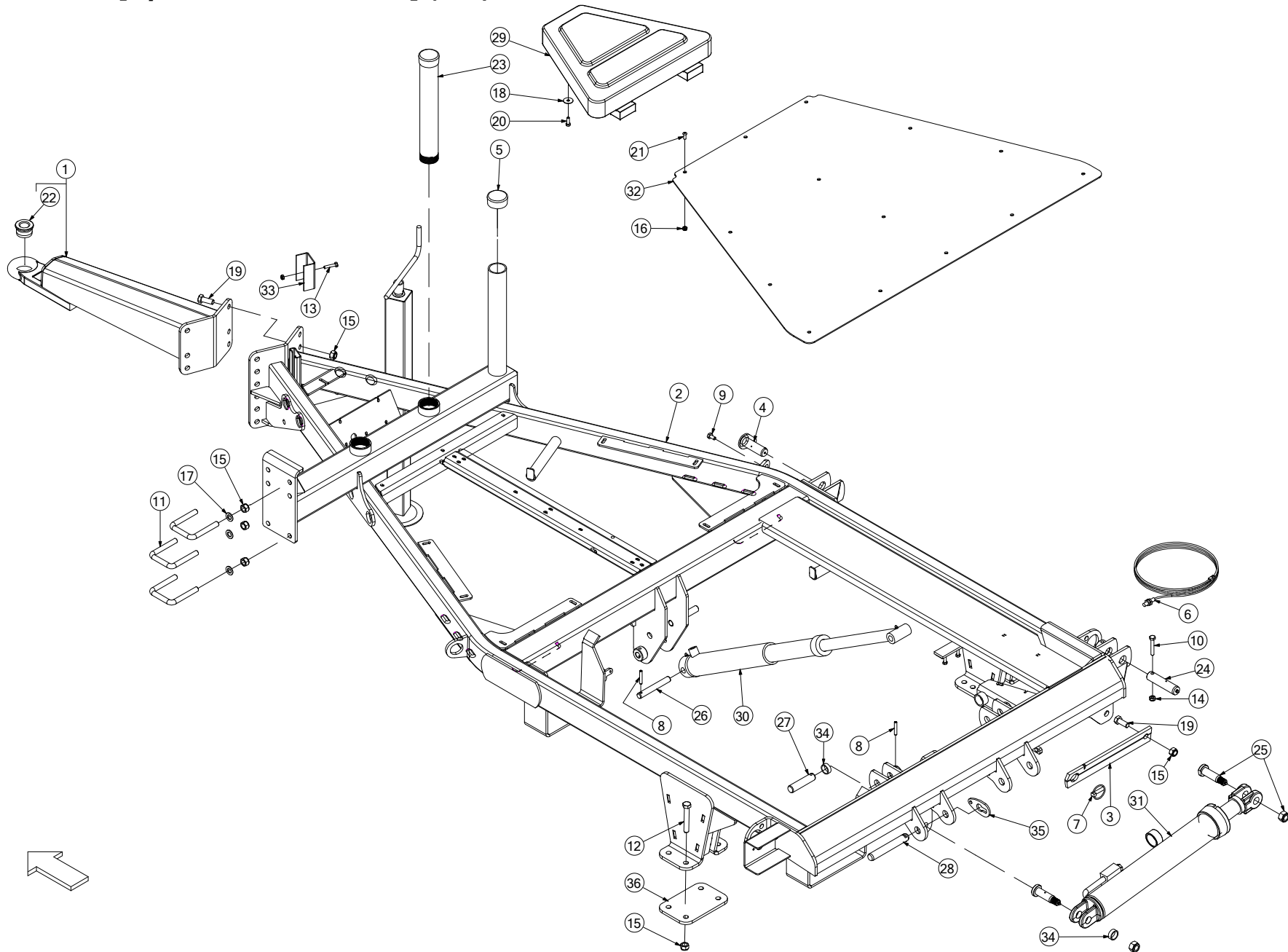
---

Section	Page	Document	Section	Page	Document
<b>Chassis</b>					
Main chassis [Up to Serial No 63791] (233)	6	SPD00233			
Main chassis [From Serial No 63792] (1064)	8	SPD01064			
Sub chassis (573)	10	SPD00573			
Gearbox (570)	12	SPD00570			
Rotary table (571)	14	SPD00571			
Cut & Hold (572)	16	SPD00572			
Lift arm [Up to Serial No 63791] (237)	18	SPD00237			
Lift arm [From Serial No 63792] (1065)	20	SPD01065			
Axle & Wheels (243)	22	SPD00243			
Dispenser post holder (696)	24	SPD00696			
Dispenser post (574)	26	SPD00574			
Dispenser rollers (575)	28	SPD00575			
Bale damper standard (241)	30	SPD00241			
Bale damper side tip (242)	32	SPD00242			
Tie rod power pack kit (956)	34	SPD00956			
<b>Hydraulic &amp; Electrical</b>					
Hydraulic assembly (576)	36	SPD00576			
Hydraulic control valve 991BE-BER-HS (715)	38	SPD00715			
Hydraulic components (579)	40	SPD00579			
Electrical components (581)	42	SPD00581			
Expert control unit (1074)	44	SPD01074			
Remote control options (263)	46	SPD00263			
Electrical lighting 991B (261)	48	SPD00261			
<b>Decals</b>					
Decals 1 [From Serial No 63792] (1068)	50	SPD01068			
Decals 2 [From Serial No 63792] (1069)	52	SPD01069			

---

This page is intentionally left blank

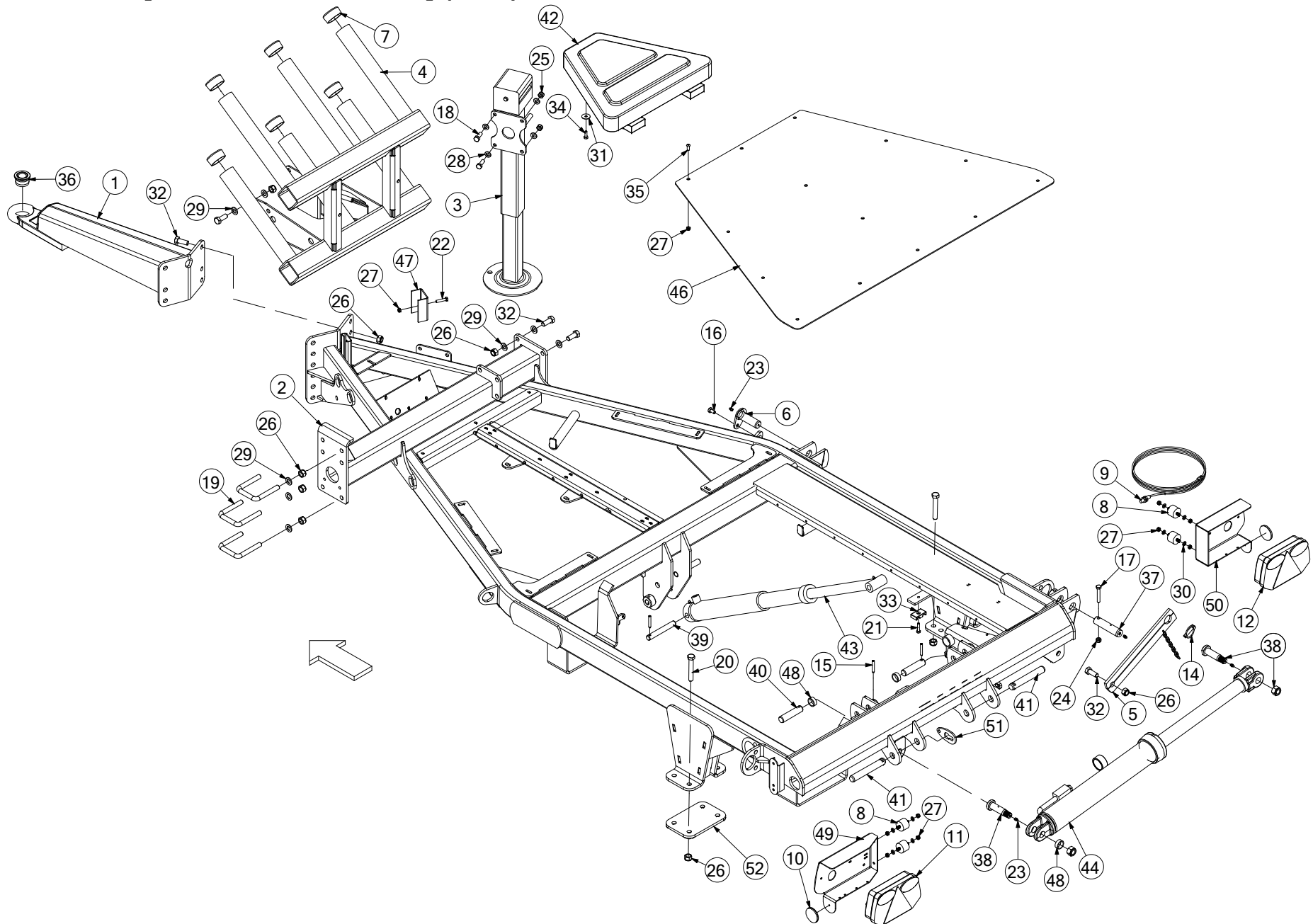
**Main chassis [Up to Serial No 63791] (233)**



No.	Part No	Description	Qty
1	ACH00008	DRAWBAR HITCH EYE STANDARD	1
<i>INCLUDES BUSHING ITEM 22</i>			
1	ACH00009	DRAWBAR HIGH HITCH GERMAN	1
<i>HIGH HITCH FOR GERMAN MACHINES ONLY</i>			
1	ACH00121	AMERICAN CLEVIS HITCH	1
<i>NORTH AMERICAN CLEVIS HITCH (BREAKAWAY CHAIN ITEM 1a OPTIONAL)</i>			
1	ADB00153	DRAWBAR HITCH EYE 991 TRAILED	1
<i>FRENCH MACHINES (INCLUDES BREAKAWAY CHAIN ITEM 1a)</i>			
1	ADB00154	DRAWBAR HITCH EYE 991 TRAILED	1
<i>POLISH MACHINES (INCLUDES BREAKAWAY CHAIN ITEM 1a &amp; BUSHING ITEM 22)</i>			
1a	CTP00042	CHAIN - SAFETY	1
<i>FOR MARKETS WHERE SAFETY-CHAIN IS REQUIRED</i>			
2	ACH00079	TRAILED CHASSIS 991B	1
3	ALA00005	LIFTARM SAFETY BAR	1
<i>INCLUDES ITEM 7</i>			
4	ALA00034	PIN 991 LIFTARM HINGE Z/P	1
5	CBC00007	CAP BLACK PLASTIC 2.3/8" OSF	3
6	CEL00036	SENSOR CABLE 5M	1
<i>CEL00215 UNIVERSAL MAGNETIC SENSOR IS A SUITABLE REPLACEMENT FOR THIS PART</i>			
7	CFA00005	LINCH PIN 10MM	1
8	CFA00010	ROLL PIN 8X50 Z/P	3
9	CFA00018	SETSCREW M10X20	1
10	CFA00028	BOLT M10X65 Z/P	1
11	CFA00039	U BOLT M16X80X80 Z/P	3
<i>991B ONLY</i>			
11	CFA00085	BOLT M16X140 ZP	6
<i>991 HIGH SPEED ONLY</i>			
12	CFA00040	BOLT M16X100 Z/P	8
13	CFA00100	BOLT M8X40 Z/P	1
14	CFA00123	NUT M10 NYLOC	1
15	CFA00128	NUT M16 NYLOC	21
16	CFA00132	NUT M8 NYLOC Z/P	15
17	CFA00140	WASHER FLAT 16MM Z/P	6
18	CFA00149	WASHER MUDWING M8 31.75OD	1
19	CFA00151	SETSCREW M16X40 Z/P	7
20	CFA00407	BOLT M8X25 Z/P	1
21	CFA00429	SETSCREW M8X20 BUTTON HEAD Z/P	14
22	CMH00010	BUSH HITCH EYE	1
23	CMH00014	TUBE 60X614 THREAD	2
24	ALA00007	KIT LIFT ARM HINGE PIN	1
25	ALA00008	KIT LIFT ARM RAM PIN	2
26	CMH00068	PIN 19X140&8MM Z/P	1
27	CMH00095	PIN 25X106&8MM Z/P	2
28	CMH00403	PIN 25X170 Z/P MILLED FOR CAP	2
29	CPL00021	VALVE COVER 991BE PLASTIC	1
30	CRA00019	RAM TIP TABLE 2 STAGE 991B	1
30a	CSE00019	SEAL KIT TABLE TIP 2 STAGE	1
31	CRA00020	RAM 80X50 BALE LIFT ARM 991B	1
31a	CSE00020	SEAL KIT 80MM RAM	1
31b	CRA10020	RAM ROD LIFTARM	1
31c	CRA00145	RAM CAP FOR CYLINDER CRA00020	1

No.	Part No	Description	Qty
31d	CRA00131	SEAL GLAND TOP 80MM RAM	1
31e	CRA00135	SEAL GLAND BOTTOM 80MM RAM	1
31f	CVA00035	CTE CHECKVALVE MCHALE 20	1
31g	CSE00674	SEAL KIT SUN CB VALVE CTE	1
<i>SEAL KIT FOR CVA00035</i>			
32	CTP00005	PLATE CHECKERED GALV	1
33	CTP00015	CABLE CLAMP3MM CHANNEL140X100	1
34	CXT00016	TUBE 33.7X3X12	3
35	CZF00292	6MM L CAP LONG FOR 25MM PINS	2
36	CZH00105	10MM PLATE TRAILED CHASSIS	2

**Main chassis [From Serial No 63792] (1064)**

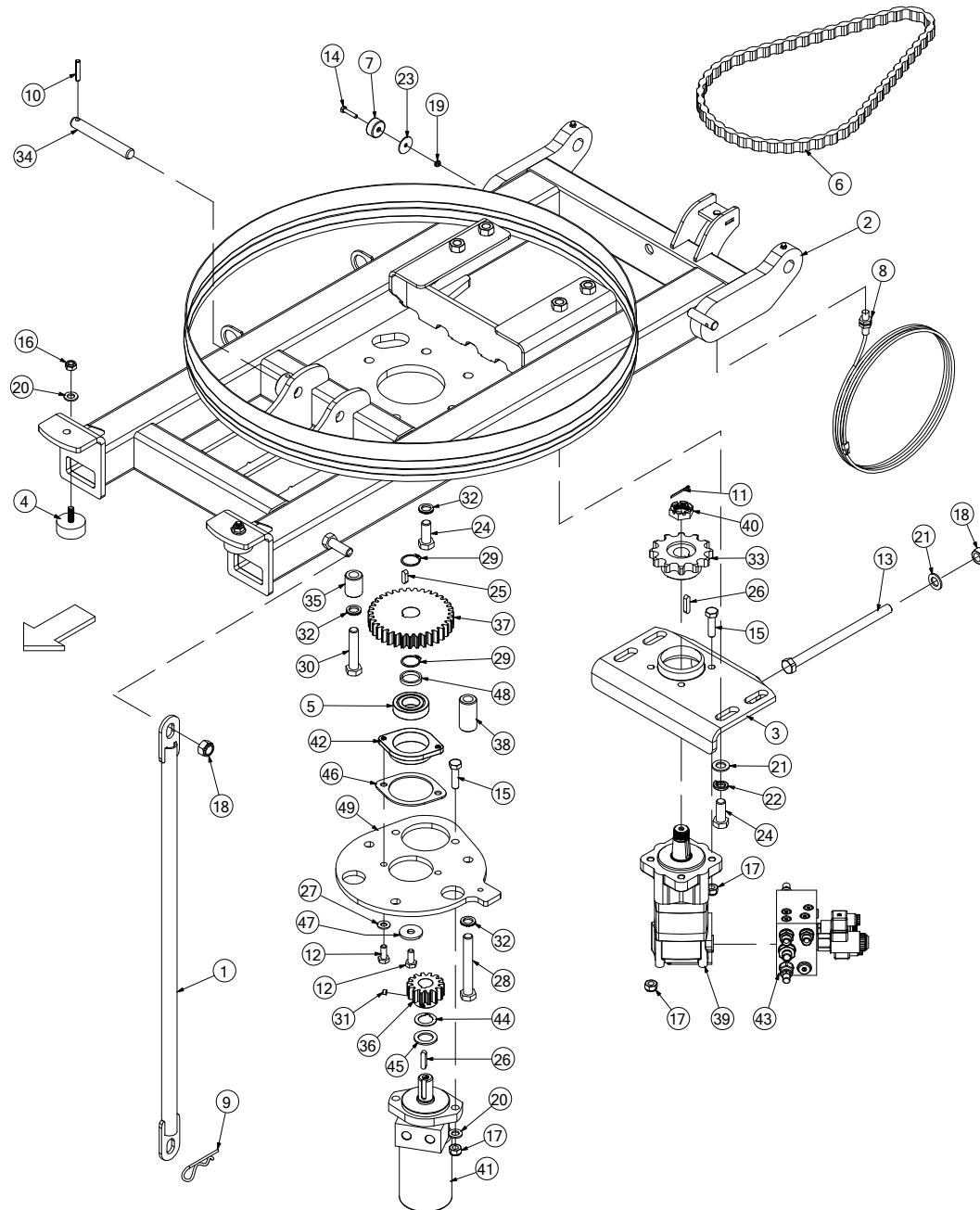




No.	Part No	Description	Qty
1	ACH00008	DRAWBAR HITCH EYE STANDARD	1
<i>INCLUDES BUSHING ITEM 36</i>			
1	ACH00009	DRAWBAR HIGH HITCH GERMAN	1
<i>HIGH HITCH FOR GERMAN MACHINES ONLY</i>			
1	ACH00121	AMERICAN CLEVIS HITCH	1
<i>NORTH AMERICAN CLEVIS HITCH (BREAKAWAY CHAIN ITEM 1a OPTIONAL)</i>			
1	ADB00153	DRAWBAR HITCH EYE 991 TRAILED	1
<i>FRENCH MACHINES (INCLUDES BREAKAWAY CHAIN ITEM 1a)</i>			
1	ADB00154	DRAWBAR HITCH EYE 991 TRAILED	1
<i>POLISH MACHINES (INCLUDES BREAKAWAY CHAIN ITEM 1a &amp; BUSHING ITEM 36)</i>			
1a	CTP00042	CHAIN - SAFETY	1
<i>FOR MARKETS WHERE SAFETY-CHAIN IS REQUIRED</i>			
2	ACH00079	TRAILED CHASSIS 991B	1
3	ACH00711	991 JACK STAND SIMOL CTP00489	1
3a	KST00135	KIT SPINDLE & INNER TUBE SIMOL 991	1
3b	KST00136	KIT GEARS SIMOL 991	1
3c	CTP00756	HANDLE CRANK SIMOL 991	1
3d	CPL00309	HANDGRIP HANDLE SIMOL 991	1
3	CTP00589	3 STAGE SIDE HANDLE JACK 991	1
<i>3 STAGE JACK USED IN SPECIFIC MARKETS</i>			
3e	CTP00592	LEG STAND SIMOL JACK CTP00589	1
<i>BOTTOM LEG STAND ON 3 STAGE JACK CTP00589</i>			
3f	CTP10002	PIN PARKING JACK BALER	1
<i>PIN TO HOLD BOTTOM LEG STAND ON 3 STAGE JACK CTP00589</i>			
4	ACH02996	SPARE FILM HOLDER 991	1
5	ALA00005	LIFTARM SAFETY BAR	1
<i>INCLUDES ITEM 14 WITH CHAIN</i>			
6	ALA00034	PIN 991 LIFTARM HINGE Z/P	1
7	CBC00007	CAP BLACK PLASTIC 2 3/8 OSF	6
8	CBE00228	RUBBER BUFFER 70 SHORE	4
9	CEL00036	SENSOR CABLE 5M	1
<i>CEL00215 UNIVERSAL MAGNETIC SENSOR IS A SUITABLE REPLACEMENT FOR THIS PART</i>			
10	CEL00643	60MM AMBER REFLECTOR 07.039.000	2
11	CEL00700	LIGHT F550 (2012 MODEL) LHS	1
11a	CEL00788	LIGHT LENS RADEX 2800 LEFT	1
<i>LENS ONLY LHS</i>			
11b	CEL00951	RADEX RED PLUG KIT (LEFT)	1
<i>KIT CONTAINS CONNECTOR, HANDLE, CABLE-PROTECTION &amp; 5x CRIMP TERMINALS</i>			
12	CEL00701	LIGHT F550 (2012 MODEL) RHS	1
12a	CEL00787	LIGHT LENS RADEX 2800 RIGHT	1
<i>LENS ONLY RHS</i>			
12b	CEL00950	RADEX GREEN PLUG KIT (RIGHT)	1
<i>KIT CONTAINS CONNECTOR, HANDLE, CABLE-PROTECTION &amp; 5x CRIMP TERMINALS</i>			
14	CFA00005	LINCH PIN 10MM	1
15	CFA00010	ROLL PIN 8X50 Z/P	3
16	CFA00023	SETSCREW M10X20 Z/P	1
17	CFA00028	BOLT M10X65 Z/P	1
18	CFA00033	SETSCREW M12X35 Z/P	4
19	CFA00039	U BOLT M16X80X80 Z/P	3
<i>991B ONLY</i>			
19	CFA00085	BOLT M16X140 ZP	6
<i>991 HIGH SPEED ONLY</i>			

No.	Part No	Description	Qty
20	CFA00040	BOLT M16X100 Z/P	8
21	CFA00055	BOLT M8X35 Z/P	6
22	CFA00100	BOLT M8X40 Z/P	1
23	CFA00118	GREASE NIPPLE M8X1.25 STRAIGHT	4
24	CFA00123	NUT M10 NYLOC	1
25	CFA00124	NUT M12 NYLOC	4
26	CFA00128	NUT M16 NYLOC	27
27	CFA00132	NUT M8 NYLOC Z/P	23
28	CFA00138	WASHER FLAT 12MM Z/P	8
29	CFA00140	WASHER FLAT 16MM Z/P	18
30	CFA00147	WASHER FLAT 8MM Z/P	8
31	CFA00149	WASHER MUDWING 8X31.75 OD	1
32	CFA00151	SETSCREW M16X40 Z/P	13
33	CFA00374	14MM HOSE CLAMP	6
34	CFA00407	BOLT M8X25 Z/P	1
35	CFA00429	SETSCREW M8X20 BUTTON HEAD Z/P	14
36	CMH00010	BUSH HITCH EYE	1
37	ALA00007	KIT LIFT ARM HINGE PIN	1
<i>INCLUDES GREASE NIPPLE &amp; BUSHINGS</i>			
38	ALA00008	KIT LIFT ARM RAM PIN	2
<i>INCLUDES M20 NUT, GREASE NIPPLE &amp; BUSHING</i>			
39	CMH00068	PIN 19X140&8MM Z/P	1
40	CMH00095	PIN 25X106&8MM Z/P	2
41	CMH00403	PIN 25X170 Z/P MILLED FOR CAP	2
42	CPL00021	VALVE COVER 991BE PLAS	1
43	CRA00019	RAM TIP TABLE 2 STAGE 991B	1
43a	CSE00019	SEAL KIT TABLE TIP 2 STAGE	1
44	CRA00020	RAM 80X50 BALE LIFT ARM 991B	1
44a	CSE00020	SEAL KIT 80MM RAM	1
44b	CRA10020	RAM ROD LIFTARM	1
44c	CRA00145	RAM CAP FOR CYLINDER CRA00020	1
44d	CRA00131	SEAL GLAND TOP 80MM RAM	1
44e	CRA00135	SEAL GLAND BOTTOM 80MM RAM	1
44f	CVA00035	CTE CHECKVALVE MCHALE 20	1
44g	CSE00674	SEAL KIT SUN CB VALVE CTE	1
<i>SEAL KIT FOR CVA00035</i>			
46	CTP00005	PLATE CHECKERED GALV	1
47	CTP00015	CABLE CLAMP3MM CHANNEL140X100	1
48	CXT00016	TUBE 33.7X3X12	3
49	CZC04485	3MM L LHS LIGHT BRACKET F550	1
50	CZC05210	3MM L 991 RADEX LIGHT BRKT RT	1
51	CZF00292	6MM L CAP LONG FOR 25MM PINS	2
52	CZH00105	10MM L TRAILED CHASSIS	2

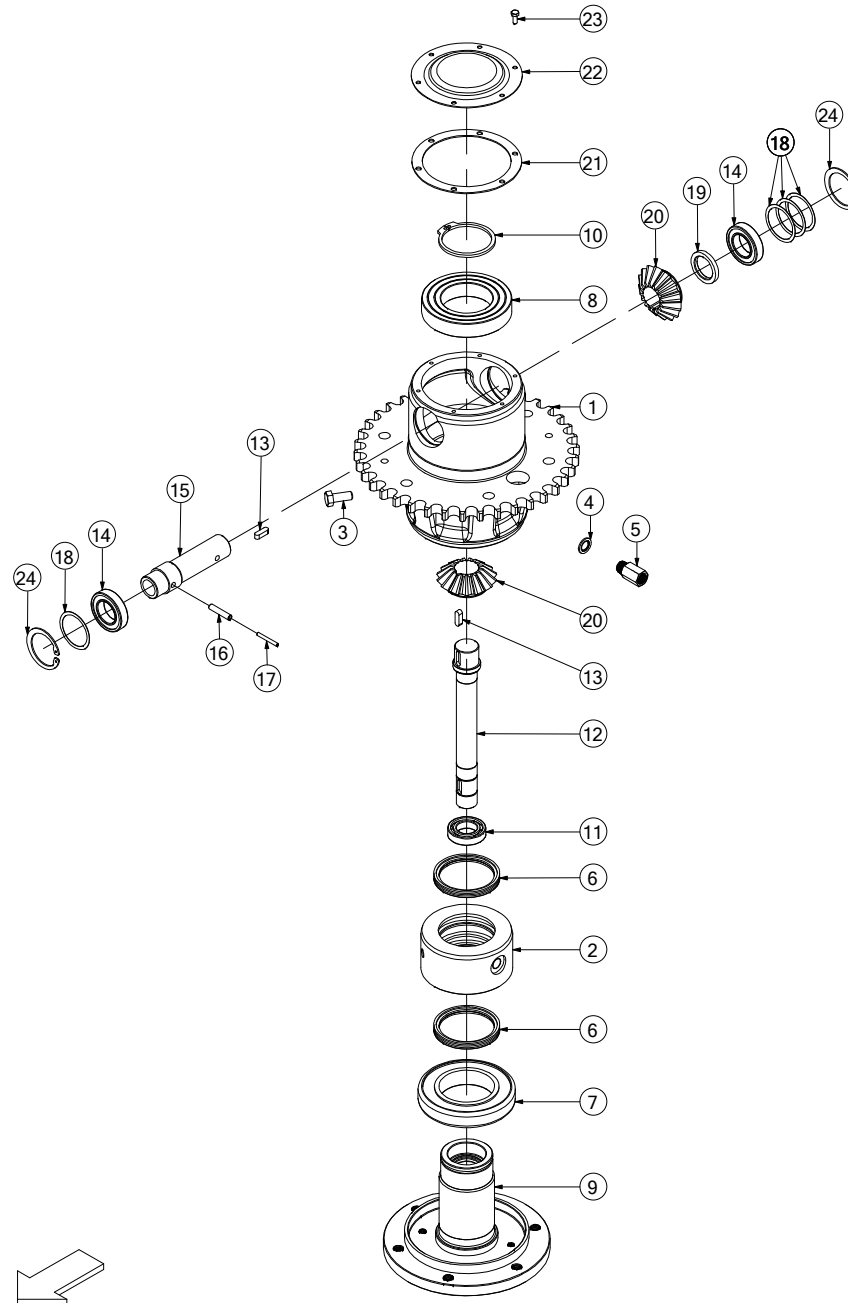
# **Sub chassis (573)**



No.	Part No	Description	Qty
1	ACH00007	SAFETY BAR TRAILED	1
2	ACH00118	991 TRAILED SUB-CHASSIS	1
<i>INCLUDES ITEMS 4, 16, 20, PIVOT PINS CMH00095, SPACERS CXT00016 &amp; ROLL PINS CFA00010 (REPLACES ACH00010)</i>			
3	ACH00020	MOTOR ADJUSTING PLATE TRAILED	1
4	CBE00002	BUFFER RUBBER 50X21 M10X28	2
5	CBR00024	BEARING 62062RS	1
6	CCH00003	CHAIN KIT 16B 1 PITCH 47LINKS	1
7	CEL00017	MAGNET BLUE WHEEL	1
8	CEL00036	SENSOR CABLE 5M	1
<i>CEL00215 UNIVERSAL SENSOR IS A SUITABLE REPLACEMENT. ALL McHALE MAGNETIC SENSORS ARE INTERCHANGEABLE</i>			
9	CFA00004	R-CLIP 4MM	1
10	CFA00009	ROLL PIN 8X40	1
11	CFA00021	SPLIT PIN 4X50 Z/P	1
12	CFA00024	SETSCREW M10X25 Z/P	3
13	CFA00041	BOLT M16X240	1
14	CFA00047	SETSCREW M6X30 Z/P	1
15	CFA00079	BOLT M12X45	6
16	CFA00123	NUT M10 NYLOC	2
17	CFA00124	NUT M12 NYLOC	6
18	CFA00128	NUT M16 NYLOC	2
19	CFA00131	NUT M6 NYLOC	1
20	CFA00138	WASHER FLAT 12MM Z/P	4
21	CFA00140	WASHER FLAT 16MM Z/P	5
22	CFA00141	WASHER SPRING M16 HEAVY DUTY	4
23	CFA00145	WASHER MUDWING M6 32MM OD	1
24	CFA00151	SETSCREW M16X40 Z/P	5
25	CFA00154	KEY 8 X 7 X 25	1
26	CFA00157	KEY 8 X 7 X 35	2
27	CFA00201	WASHER FLAT 10 MM Z/P	2
28	CFA00209	BOLT M16X120 Z/P	3
29	CFA00402	CIRCLIP 30MM EXTERNAL	2
30	CFA00498	BOLT M16 X 80 Z/P	3
31	CFA00613	GRUBSCREW M8X6	2
32	CFA00783	WASHER NL16 NORD-LOCK	6
33	CMH00061	SPROCKET 1 PITCH 12T TAPERED	1
<i>UP TO SERIAL NO. 58613</i>			
33	CMH00177	SPROCKET 1 PITCH 10T TAPERED	1
<i>FROM SERIAL NO. 58614</i>			
34	CMH00068	PIN 19X140&8MM Z/P	1
35	CMH01028	BUSH 17X30X39	3
36	CMH01202	GEAR SPUR 14T MOD 4	1
37	CMH01203	GEAR SPUR 35T MOD 4	1
38	CMH01205	BUSH 17X30X60	3
39	CMT00002	MOTOR 250CC 4BOLT 1 1/4 TAPER	1
40	CMT00015	NUT CASTLE ALL MOTOR SHAFTS	1
41	CMT00050	MOTOR 320-330CC 2BOLT 25SHAFT	1
<i>UP TO SERIAL NO. 58613</i>			
41	CMT00068	MOTOR 390CC 25SHAFT 2BOLT	1
<i>FROM SERIAL NO. 58614</i>			
42	CTP00255	BEARING HOUSING REEL	1

No.	Part No	Description	Qty
43	CVA00341	VALVE SLOW SPEED 991BE TWIN DISP	1
44	CZB02571	1.5MM L WASHER 25MM KEYWAY CUT	1
45	CZC00112	3MM L DISPENSER SPACER	1
46	CZC03999	3MM L SPACER CTP00255 HIGH SPEED	1
47	CZD04329	4MM L WASHER 12.5X40X4	1
48	CZF02933	6MM L WASHER 30X37X6 Z/P	1
49	CZH03497	10MM L MOTOR BRACKET PART	1

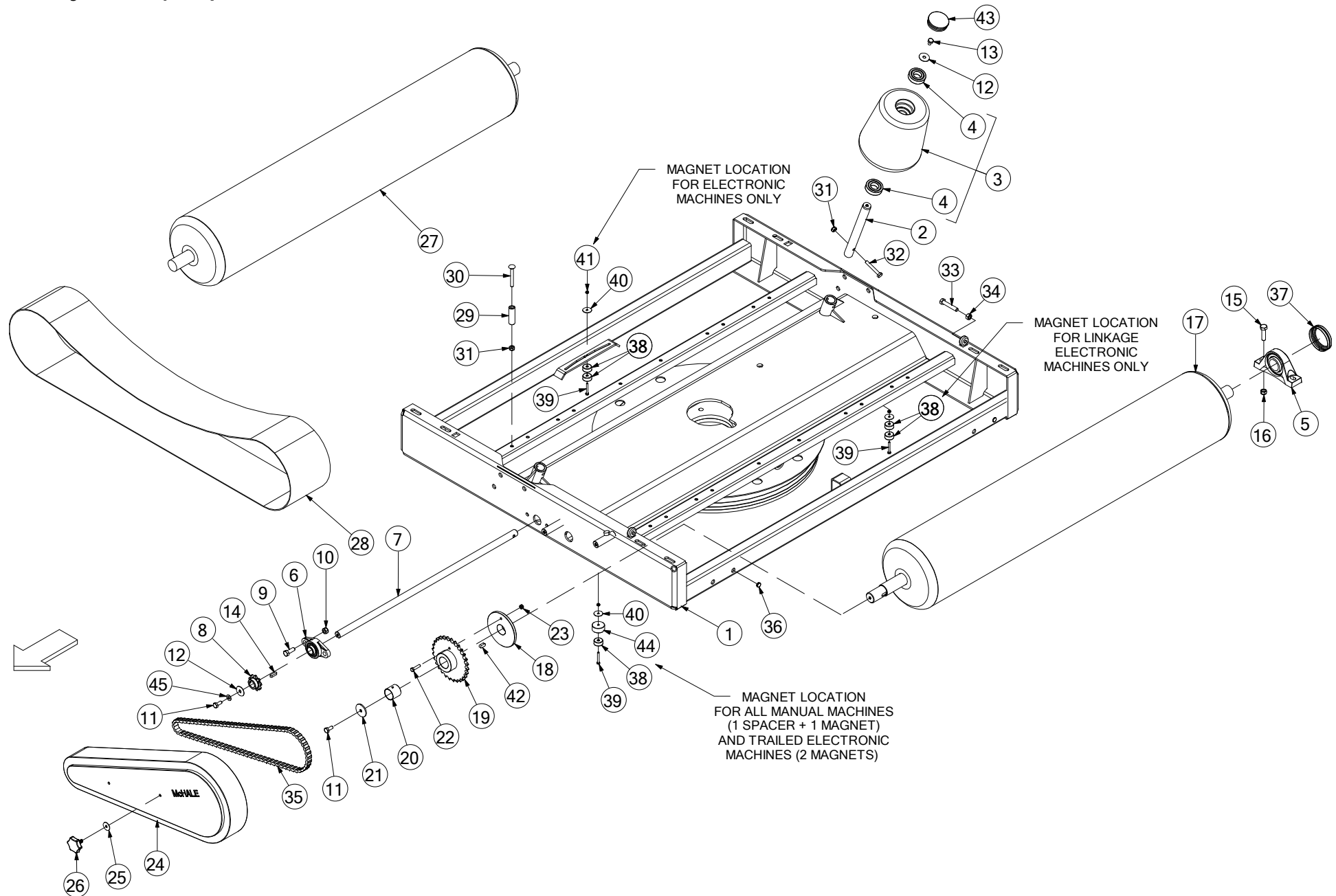
# Gearbox (570)



No. Part No	Description	Qty
0 ACH01006	GEARBOX ROUND TWIN DISPENSER ASM	1
<i>COMPLETE ASSEMBLY</i>		
1 CTP00112	GEARBOX HOUSING CAST 991 SERIES	1
<i>DIRECT REPLACEMENT FOR GEARBOX HOUSING WELDMENT ACH00034</i>		
2 CMH00032	SEAL BLOCK WRAPPER GEARBOX	1
3 CFA00032	SETSCREW M12X30 Z/P	2
4 CHY00020	WASHER DOWTY 3/8"	1
5 CHY02001	ADAPTOR 3/8" BSP M/F	1
6 CSE00001	SEAL GEARBOX 991	2
7 CBR00003	BEARING 62162RS	1
8 CBR00002	BEARING 6215 2RS	1
9 CMH01192	SHAFT 80X182.5 STEPPED	1
10 CFA00704	CIRCLIP 75MM EXTERNAL HEAVY	1
11 CBR00256	BEARING 6006 2RS	1
12 CMH01193	SHAFT 40X324 STEPPED KEYWAY	1
13 CFA00154	KEY 8 X 7 X 25	2
14 CBR00001	BEARING 6007 2RS	2
15 CMH00018	SHAFT 35X105 STEPPED &KEYWAYS	1
16 CFA00009	ROLL PIN 8X40	1
17 CFA00006	ROLL PIN 5X40	1
18 CFA00213	SHIM 50X62X0.3	4
19 CMH00064	SHIM GEARBOX	1
20 CMH02327	BEVEL GEAR MOD5 16T	2
21 CSE00006	GASKET 128X158&6X8MM C.HOLES	1
22 CZB02365	GEARBOX COVER PLATE	1
23 CFA00045	SETSCREW M6X16	6
24 CFA00002	CIRCLIP	2

No. Part No	Description	Qty
-------------	-------------	-----

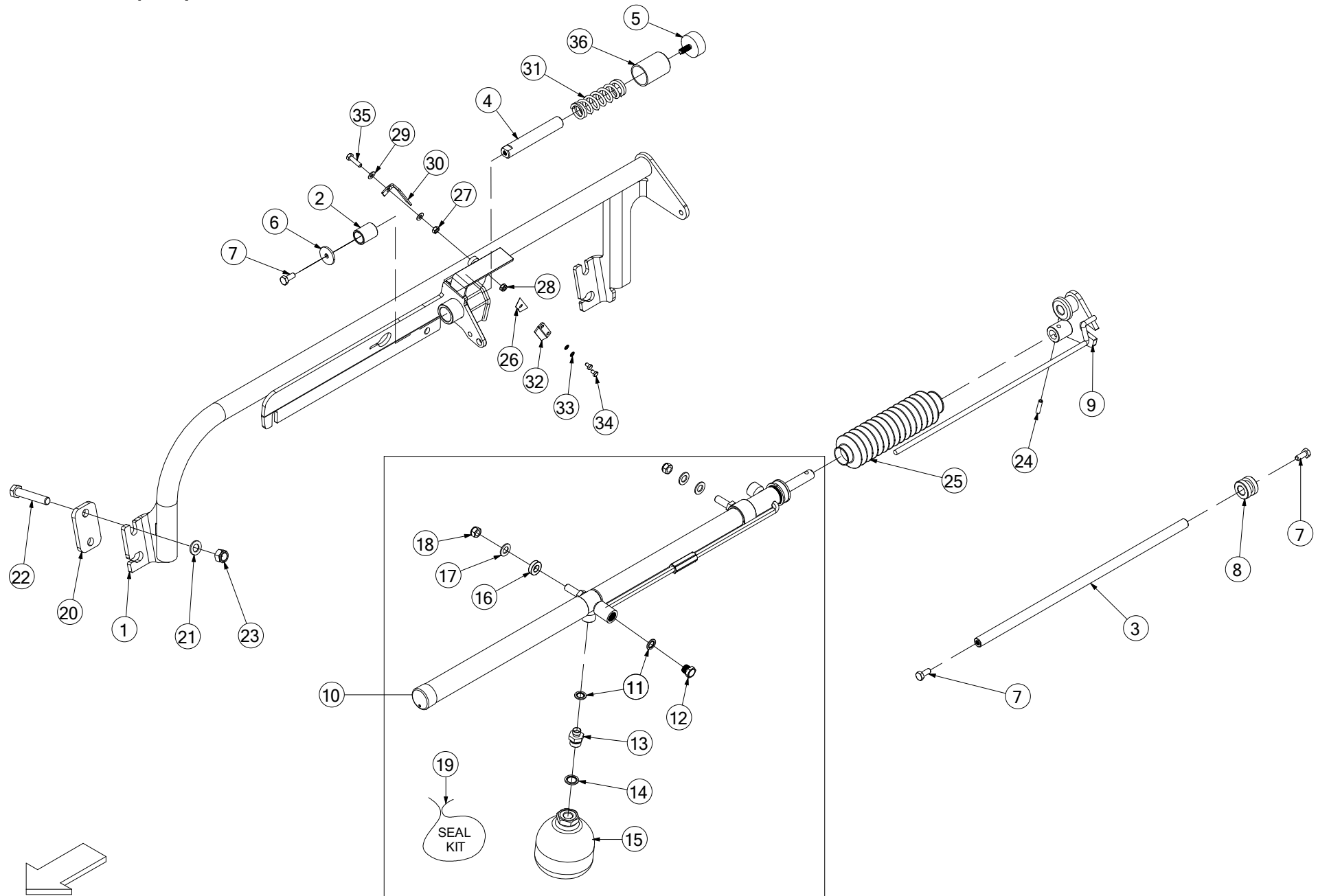
# Rotary table (571)



No.	Part No	Description	Qty
1	ART00333	TABLE WELD ASSY TWIN DISPENSER	1
2	ART00005	BOBBIN AXLE SHAFT	2
<i>USED ON 991B UP TO SERIAL No 63242 &amp; ON 991L UP TO SERIAL No 103772</i>			
2	CMH01183	PIN 30X280 BOBBIN AXLE	2
<i>USED ON ALL 991HS &amp; ON 991B FROM SERIAL No 63243 &amp; ON 991L FROM SERIAL No 103773</i>			
3	CPL00008	BOBBIN ASSEMBLY	2
<i>INCLUDES BEARINGS (ITEM 4)</i>			
4	CBR00024	BEARING 62062RS	2
5	CBR00005	BEARING PILLOW BLOCK NP1 3/4	4
6	CBR00006	BEARING FLANGE 25MM 2BOLT	1
7	CMH00021	SHAFT 25X900 8MM KEYWAYS	1
<i>LATEST VERSION (with keyways on both ends) REPLACES CMH01244 (Which is identical, but no longer available)</i>			
7	CMH01244	CROSS SHAFT 25X900 (991)	1
<i>NO LONGER AVAILABLE (Replaced by latest version of CMH00021 with keyways on both ends)</i>			
8	CMH00059	SPROCKET 3/4 PITCH 9T	1
9	CFA00033	SETSCREW M12X35 Z/P	2
10	CFA00124	NUT M12 NYLOC	2
11	CFA00024	SETSCREW M10X25 Z/P	2
12	CFA00134	WASHER MUDWING M10X38MM OD	3
13	CFA00022	SETSCREW M10X16 Z/P	2
14	CFA00154	KEY 8X7X25	1
15	CFA00038	BOLT M14X50	8
16	CFA00126	NUT M14 NYLOC	8
17	ART00004	TABLE DRIVING ROLLER	1
18	CMH00029	SHEAR BOLT FLANGE	1
19	CMH00060	SPROCKET 3/4 PITCH 28T	1
20	CBR00082	BEARING GLACIER PM 4040 SY	1
21	CZD00121	4MM L CUT & TIE SPACER Z/P	1
22	CFA00055	BOLT M8X35 Z/P	1
23	CFA00132	NUT M8 NYLOC Z/P	1
24	CGD00003	GUARD CHAIN TABLE 991	1
25	CFA00149	WASHER MUDWING M8 31.75OD	2
26	CBC00002	HAND WHEEL M8X20	2
27	ART00003	TABLE IDLE ROLLER WELD ASSY	1
28	CBE00010	BELT SINGLE 96	4
28	CBE00003	BELT SET (CBE00010) X4 (1996+)	1
29	CMH00001	BUSH 12X22X70	16
30	CFA00546	BOLT M10X85 CUP HEAD SQ Z/P	16
31	CFA00123	NUT M10 NYLOC	18
32	CFA00383	BOLT M10X70 Z/P	2
33	CFA00036	SETSCREW M12X70 Z/P	2
34	CFA00014	NUT M12	2
35	CCH00006	CHAIN KIT 12B 3/4 PITCH 79 LINK	1
36	CBC00014	PLUG BODY 16 X .08/2 MM	2
37	CBR00008	END CAP FOR 350 NP28 DOMED	3
<i>FOR RHP TYPE BEARING BLOCKS</i>			
37	CBR00276	END CAP FOR UCPL20928	3
38	CEL00017	MAGNET BLUE WHEEL	4
<i>QTY IS ONLY 1 ON MANUAL MACHINES</i>			
39	CFA00801	SETSCREW M6X45	2

No.	Part No	Description	Qty
<i>QTY IS ONLY 1 ON MANUAL MACHINES</i>			
40	CFA00145	WASHER MUDWING M6 32MM OD	2
<i>QTY IS ONLY 1 ON MANUAL MACHINES</i>			
41	CFA00131	NUT M6 NYLOC	2
<i>QTY IS ONLY 1 ON MANUAL MACHINES</i>			
42	CFA00155	KEY 10 X 8 X 25	1
43	CBC00008	CAP PLASTIC INSERT 75MM	2
44	CMH00224	MAGNET SPACER	1
<i>USED ON MANUAL MACHINES ONLY</i>			
45	CFA00251	WASHER SKM10	1

**Cut & Hold (572)**

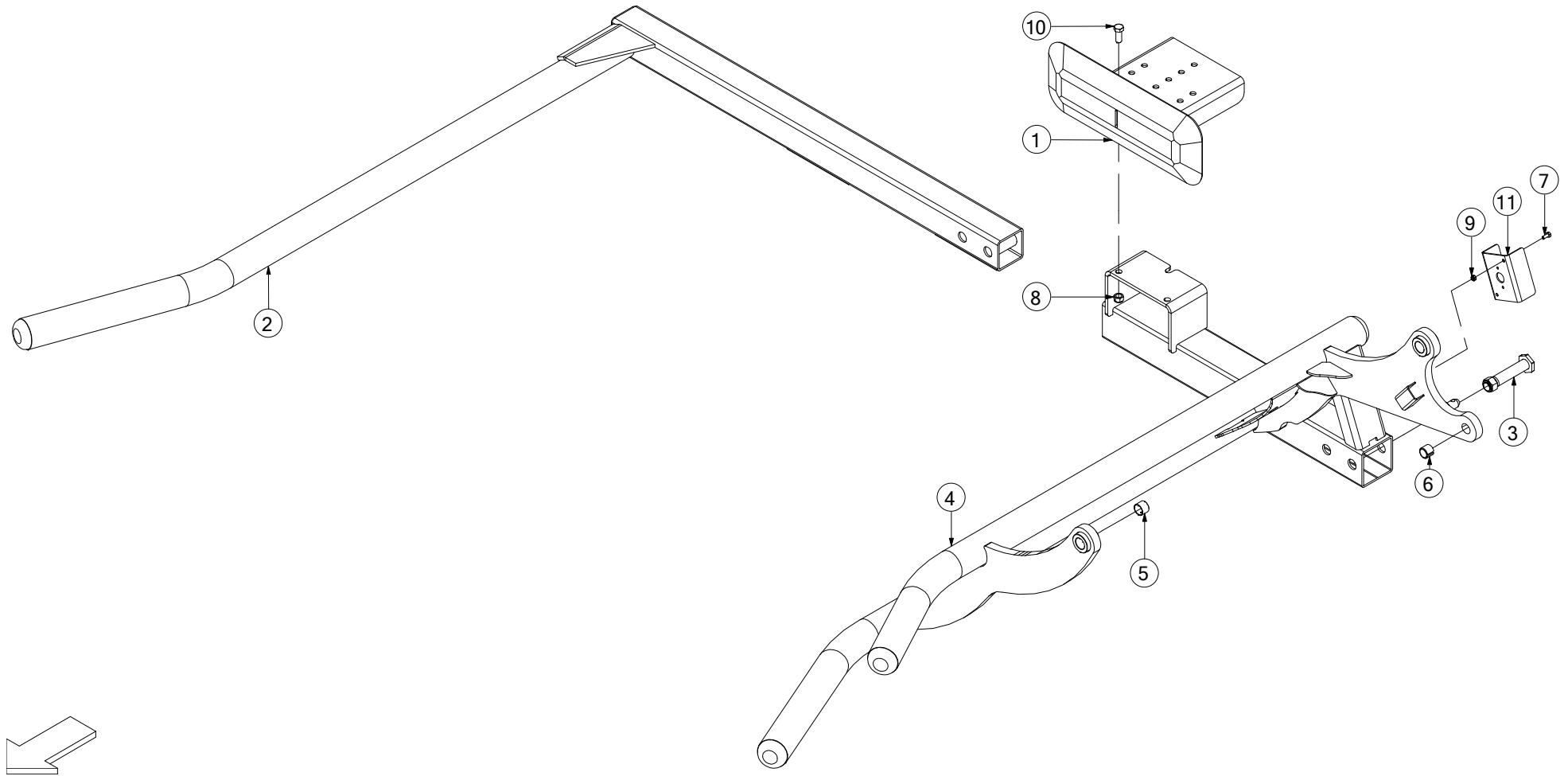




No.	Part No	Description	Qty
1	ACT00054	CUT AND HOLD WELD ASSY 991 TWIN	1
2	CBR00016	BEARING OLITE 25X32X40	1
3	CMH01250	GUIDE BAR 991T CUT AND HOLD	1
4	CMH00023	PIN 25X159 C.PLUNGER C&T	1
5	CBE00002	BUFFER RUBBER 50X21 M10X28	1
6	CZD00118	4MM L CUT& TIE SPACER	1
7	CFA00024	SETSCREW M10X25 Z/P	3
8	CMH00325	BUSH STEPPED 20X40X30 NYLON	1
9	ACT00009	FILM RETAINER CUT&HOLD COMBI	1
10	CRA00611	CUT + HOLD RAM 991HS	1
11	CHY00020	WASHER DOWTY 3/8"	2
12	CHY02004	PLUG 3/8" BSP MALE	1
13	CHY02008	ADAPTOR 1/2" M 3/8" M	1
14	CHY00053	WASHER DOWTY 1/2"	1
15	CVA03011	ACCUMULATOR 0.7 LITRE 70 BAR	1
16	CMH00093	BUSH 14X30X8	1
17	CFA00222	WASHER FLAT 14MM Z/P	3
18	CFA00126	NUT M14 NYLOC	2
19	CSE00611	SEAL KIT CRA00611 991HS C&H RAM	1
20	CZH00135	10MM L CUT & TIE	2
21	CFA00140	WASHER FLAT 16MM Z/P	4
22	CFA00794	BOLT M16 X 90	4
23	CFA00128	NUT M16 NYLOC	4
24	CFA00333	ROLL PIN 8X35	1
25	CBE00006	GAITOR CUT&HOLD RUBBER	1
26	CKN00011	KNIFE CUT&HOLD STANLEY BLADE	1
<i>REPLACED BY ACT00061 (SAFETY KNIFE REPLACEMENT KIT CONTAINS 5 BLADES)</i>			
26	ACT00061	KNIFE CUT&HOLD REPLACE KIT 991	1
<i>SAFETY KNIFE REPLACEMENT KIT CONTAINS 5 BLADES (REPLACES CKN00001)</i>			
27	CFA00338	NUT M8	1
28	CFA00132	NUT M8 NYLOC Z/P	1
29	CFA00249	WASHER SKM8	2
30	CZC03306	3MM L CUT AND HOLD SAFETY	1
31	CSG00222	SPRING 150X25.4X5.4 YELLOW	1
32	CZC02012	3MM L 998 /COMBI KNIFE CLAMP	1
33	CFA00268	WASHER 6MM SHAKEPROOF	2
34	CFA00269	SETSCREW M6X10 Z/P	2
35	CFA00491	SETSCREW M8X30 Z/P	1
36	ACT00066	HIGHSPEED CUT AND HOLD SPRING STOP	1

No.	Part No	Description	Qty
-----	---------	-------------	-----

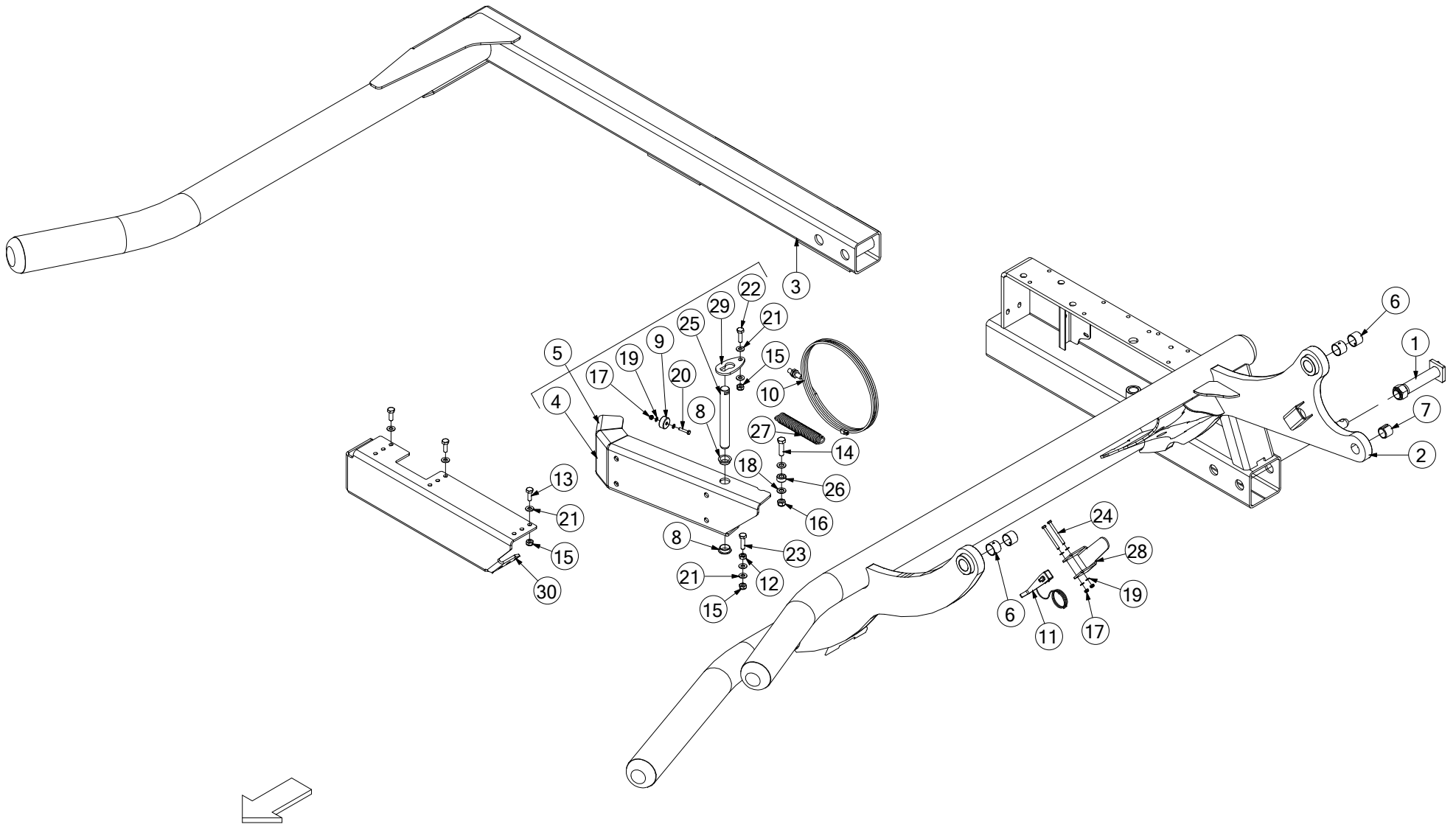
**Lift arm [Up to Serial No 63791] (237)**



No.	Part No	Description	Qty
0	ALA00012	LIFT ARM 991 ASSEMBLY 4FT	1
1	ALA00002	LIFTARM BALE STOP	1
2	ALA00004	LIFTARM SLIDE ARM	1
3	ALA00010	KIT PIN LIFTARM 991B	1
4	ALA00044	LIFT ARM (1200MM WIDE BALE)	1
5	CBR00007	BEARING GLACIER PM 3025 DX	4
6	CBR00014	BEARING TENSION 1" X 1/1/4" X 1"	1
7	CFA00052	SETSCREW M8X20 Z/P	2
8	CFA00128	NUT M16 NYLOC	3
9	CFA00132	NUT M8 NYLOC Z/P	2
10	CFA00151	SETSCREW M16X40 Z/P	3
11	CZD00116	4MM L TRAILED LIGHT BRACKET	1

No.	Part No	Description	Qty
-----	---------	-------------	-----

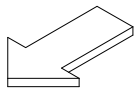
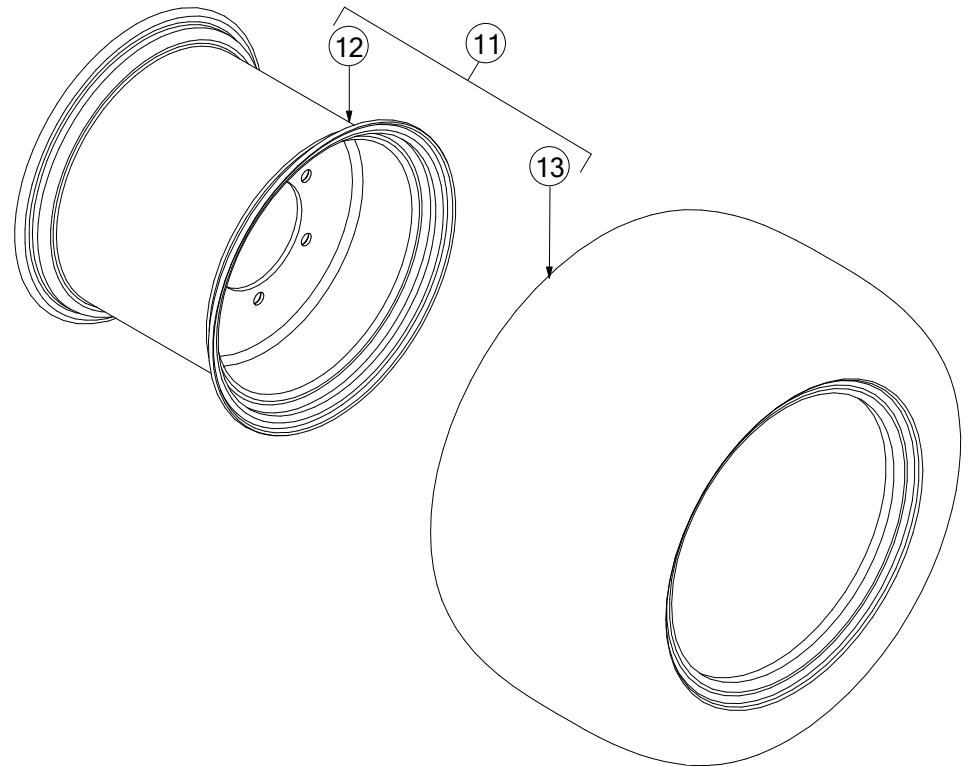
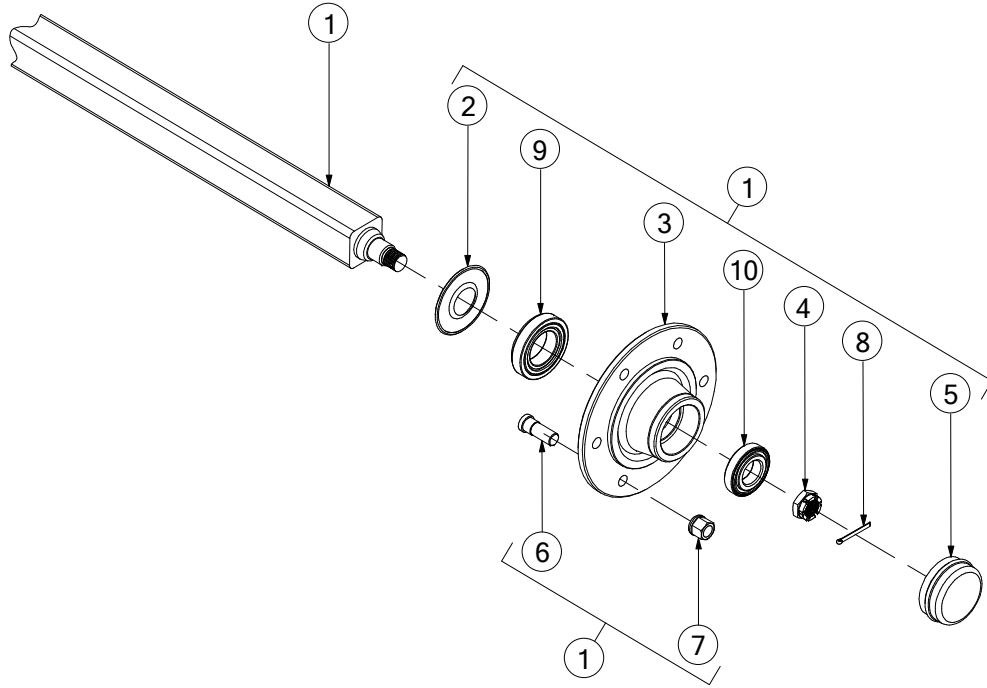
**Lift arm [From Serial No 63792] (1065)**



No.	Part No	Description	Qty
0	ALA00855	LIFTARM 991 TRAILED 4FT	1
<i>COMPLETE LIFT ARM ASM EXCLUDING PADDLE ASM ITEM 5</i>			
1	ALA00010	KIT PIN LIFTARM 991B	1
<i>INCLUDES M24 NUT</i>			
2	ALA00853	LIFT ARM (1200MM WIDE BALE)	1
3	ALA00854	LIFTARM SLIDE ARM	1
4	ALA00856	LIFTARM START PADDLE 991	1
5	ALA00903	LIFTARM PADDLE AUTO START	1
<i>COMPLETE PADDLE ASSEMBLY (USED ON ELECTRONIC MACHINES ONLY)</i>			
6	CBR00007	BEARING GLACIER PM 3025 DX	4
7	CBR00014	BEARING TENSION 1" X 1/1/4" X 1"	1
8	CBR00269	BEARING 25X28X11 STEPPED PLAS	2
9	CEL00017	MAGNET BLUE WHEEL	1
10	CEL00036	SENSOR CABLE 5M	1
11	CEL00164	POTENTIOMETER 991 LIFTARM	1
<i>USED ON ELECTRONIC MACHINES ONLY</i>			
12	CFA00008	NUT M10	1
13	CFA00025	SETSCREW M10X30	3
14	CFA00079	BOLT M12X45	1
15	CFA00123	NUT M10 NYLOC	5
16	CFA00124	NUT M12 NYLOC	1
17	CFA00131	NUT M6 NYLOC	3
18	CFA00138	WASHER FLAT 12MM Z/P	2
19	CFA00144	WASHER FLAT 6MM Z/P	6
20	CFA00190	SETSCREW M6X30 STAINLESS STEEL	1
21	CFA00201	WASHER FLAT 10 MM Z/P	7
22	CFA00311	SETSCREW M10X35 Z/P	1
23	CFA00312	SETSCREW M10X40 Z/P	1
24	CFA02242	BOLT M6X70 ZP	2
25	CMH00577	PIN 25 X 195 MILLED	1
26	CMH01333	BUSH 25X12.5X12.5 BALE SHREADER	1
27	CSG00243	SPRING EXT 3.25X29X145	1
28	CZD02137	4MM L LIFTARM SENSOR BRACKET	1
<i>USED ON ELECTRONIC MACHINES ONLY</i>			
29	CZF00292	6MM L CAP LONG FOR 25MM PINS	1
30	CZF03752	6MM L LIFTARM BALE STOP	1
<i>USED ON NON ELECTRONIC MACHINES ONLY</i>			

No.	Part No	Description	Qty
-----	---------	-------------	-----

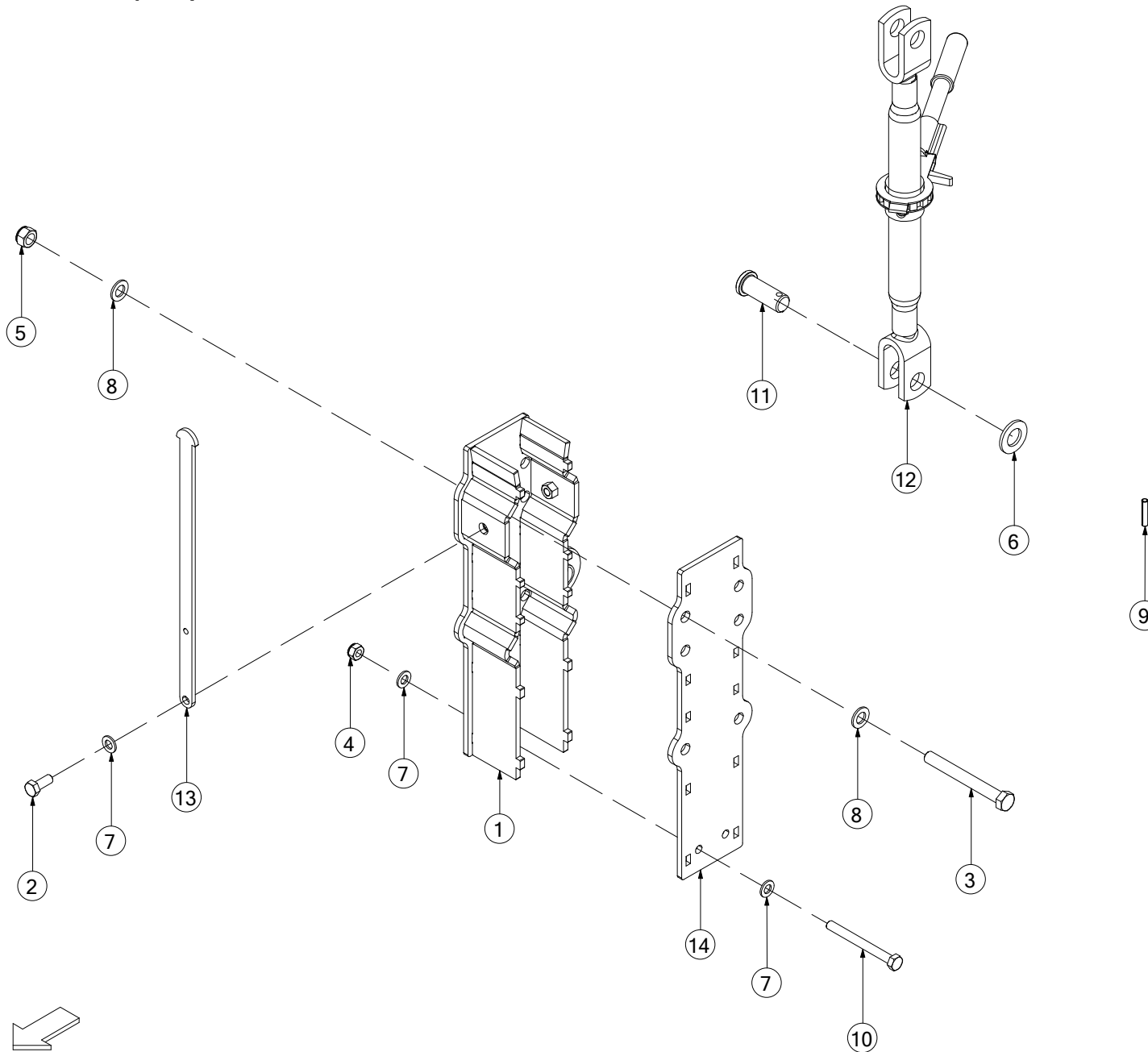
**Axle & Wheels (243)**



No.	Part No	Description	Qty
1	CAX00002	AXLE 60MM 6 STUD 1900MM	1
<i>INCLUDES ITEMS 2 THROUGH 10</i>			
2	CSE00079	SEAL AXLE HUB 6 STUD	2
3	CAX00009	HUB 6 STUD 991 FAD	2
<i>FAD AXLE</i>			
3	CAX00168	HUB 6 STUD 991 TVZ	2
<i>TVZ AXLE</i>			
4	CAX00010	NUT CASTLE 6 STUD 991 FAD	12
<i>FAD AXLE</i>			
4	CAX00169	NUT CASTLE M30X1.5 6 STUD 991 TVZ	12
<i>TVZ AXLE</i>			
5	CAX00011	HUB CAP 6 STUD 991 FAD	2
<i>FAD AXLE</i>			
5	CAX00170	HUB CAP 6 STUD 991 TVZ	2
<i>TVZ AXLE</i>			
6	CFA00235	WHEEL STUD M18X1.5	12
7	CFA00121	NUT WHEEL M18X1.5 STUD AXLE	12
8	CFA00013	SPLIT PIN <50Z/P	2
<i>FAD AXLE</i>			
8	CFA00999	SPRING PIN M30 NUT 991 TVZ	2
<i>TVZ AXLE</i>			
9	CBR00028	BEARING 30210	2
9a	CBR00306	NILOS SEAL FOR BEARING 30210	2
<i>IF FITTED</i>			
10	CBR00027	BEARING 30207	2
10a	CBR00307	NILOS SEAL FOR BEARING 30207	2
<i>IF FITTED</i>			
11	CWH00022	WHEEL ASSEMBLY 340/55-16 FLOTATION+	2
11	CWH00009	WHEEL ASSEMBLY 31 X 15.5 SIX STUD	2
12	CWH00048	RIM 16X11 SIX STUD	2
12	CWH00018	RIM 15 X 13 SIX STUD	2
13	CWH00047	TYRE 340/55-16 FLOTATION+	2
13	CWH00004	TYRE 31X15.5-15	2

No.	Part No	Description	Qty
-----	---------	-------------	-----

**Dispenser post holder (696)**

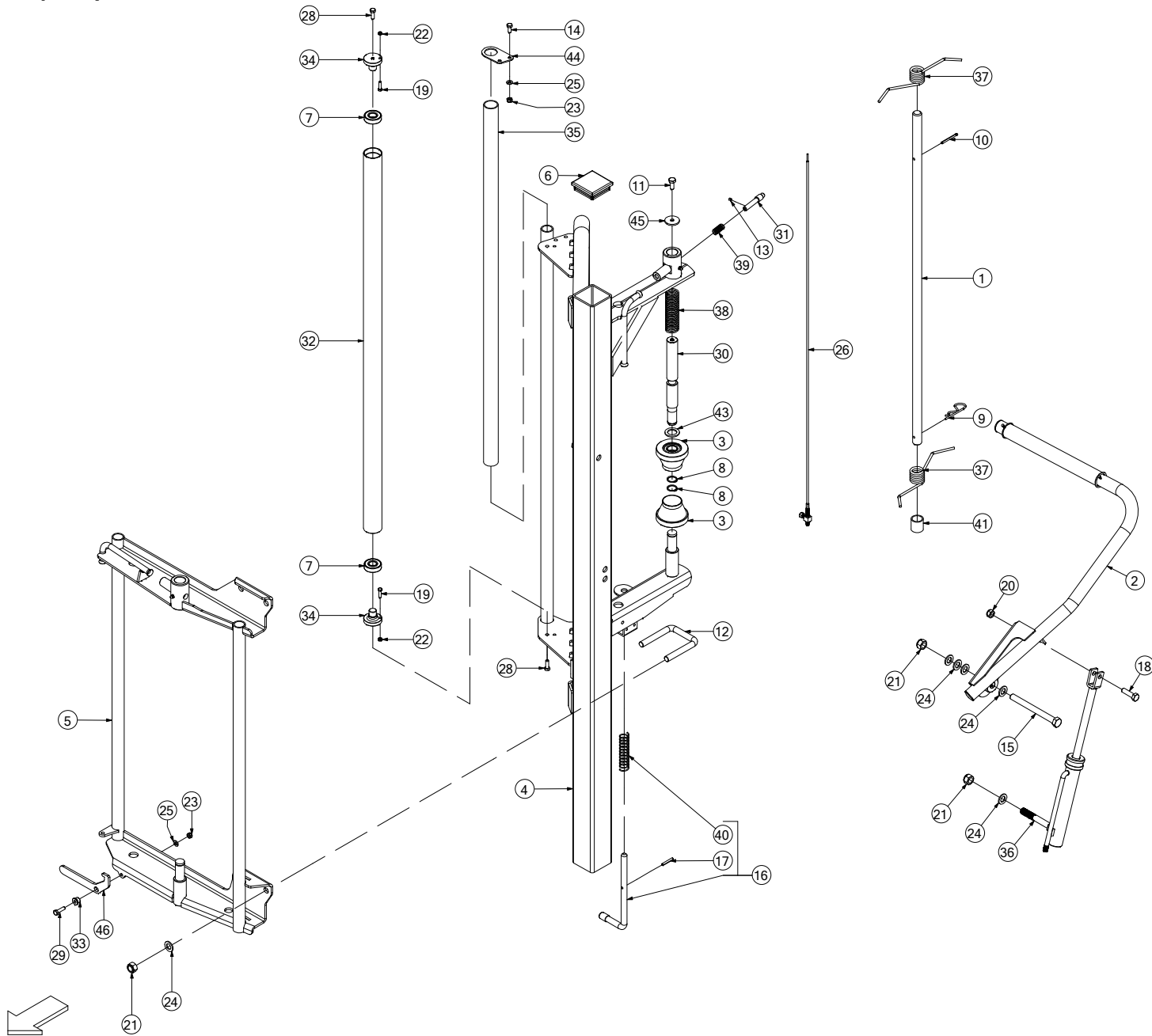




No.	Part No	Description	Qty
1	ADP00176	WELD ASSY POST HOLDER 991T	1
2	CFA00032	SETSCREW M12X30 Z/P	1
3	CFA00085	BOLT M16X140 Z/P	6
4	CFA00124	NUT M12 NYLOC	2
5	CFA00128	NUT M16 NYLOC	6
6	CFA00135	WASHER FLAT 1" Z/P	2
7	CFA00138	WASHER FLAT 12MM Z/P	5
8	CFA00140	WASHER FLAT 16MM Z/P	12
9	CFA00380	ROLL PIN 8X40 Z/P	2
10	CFA00517	BOLT M12X120 Z/P	2
11	CMH01307	PIN 30X25X72 8MM CH STEPPED Z/P	2
12	CTP00347	410MM CLEVIS END RACHET TOPLINK	1
13	CZF03295	6MM L TOPLINK STOP 991 HIGH SPEED	1
14	CZG02296	8MM L DISPENSER POST HOLDER 991T	1

No.	Part No	Description	Qty
-----	---------	-------------	-----

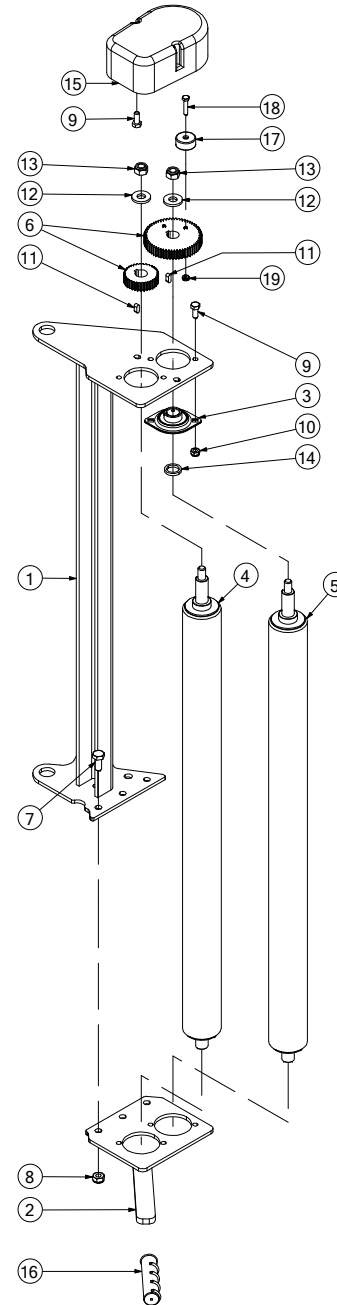
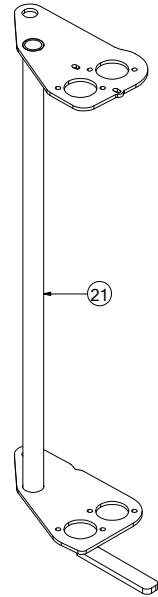
# Dispenser post (574)



No.	Part No	Description	Qty
0	ADP00171	DISPENSER COMPLETE ASSY 991 TWIN	1
<i>INCLUDES ITEMS 1 THROUGH 46</i>			
1	ADP00005	DISPENSER POST SHAFT	2
2	ADP00006	PULL DOWN ARM LINKAGE	1
3	ADP00009	COIL ROLLER + BEARING DIS POST	4
3a	CPL00126	ROUND INSERT (RIBBED) 50MM	2
<i>CAP INSERT FOR COIL ROLLER ADP00009</i>			
4	ADP00155	TWIN DISPENSER POST WELD ASY.	1
5	ADP00168	DISPENSER FRAME WELD	1
6	CBC00003	CAP PLAS INSERT SQ 80X80	1
7	CBR00020	BEARING 6204 2RS	2
8	CFA00001	CIRCLIP 25MM EXTERNAL Z/P	4
9	CFA00004	R-CLIP 4MM	2
10	CFA00013	SPLIT PIN 5X50 Z/P	2
11	CFA00024	SETSCREW M10X25 Z/P	2
12	CFA00039	U BOLT M16X80X80 Z/P	2
13	CFA00050	GRUBSCREW M6X6	1
14	CFA00052	SETSCREW M8X20 Z/P	2
15	CFA01024	BOLT M16X170 Z/P 10.9 DIN 931	1
<i>REPLACES CFA00061</i>			
16	CFA00067	SPRING LATCH 5/8"	1
17	CFA00073	ROLL PIN 6X40	1
18	CFA00079	BOLT M12X45	1
19	CFA00098	SETSCREW M6X25 Z/P	2
20	CFA00124	NUT M12 NYLOC	1
21	CFA00128	NUT M16 NYLOC	6
22	CFA00131	NUT M6 NYLOC	2
23	CFA00132	NUT M8 NYLOC Z/P	3
24	CFA00140	WASHER FLAT 16MM Z/P	9
25	CFA00147	WASHER FLAT 8MM Z/P	3
26	CFA00206	CABLE ROLLER RELEASE DISP/POST	2
27	CFA00208	GRUBSCREW M6X6 Z/P	1
28	CFA00407	BOLT M8X25 Z/P	2
29	CFA00491	SETSCREW M8X30 Z/P	1
30	CMH00195	PIN 30X280 STEPPED Z/P	2
31	CMH00197	PIN 16X84 STEPPED Z/P	2
32	CMH00600	MACHINED TUBE FOR NET ROLLER	1
33	CMH00742	BUSH 8X20X13 ZINC PLATED	1
34	CMH01304	PIN 50X36 STEPPED M8 THREAD Z/P	2
35	CPL00127	C040X2.5X1200 991 PLASTIC ROLLER	1
36	CRA00591	RAM PULL DOWN ARM 991 TWIN	1
37	CSG00003	SPRING 5.89W/DX40OD6.125T/COIL	4
38	CSG00009	SPRING COMP 2.95X37X197X12	2
39	CSG00010	SPRING COMP 1.625X16X40X8	2
40	CSG00039	SPRING COMP 2.15X 21X 125X 14	1
41	CXT00104	TUBE 33.7X3X35	1
42	CXT00525	TUBE 33.7X3.2X20	2
43	CZC00112	3MM L DISPENSER SPACER	2
44	CZC03327	3MM L PLASTIC ROLLER BRKT 991T DIS	1

No.	Part No	Description	Qty
45	CZD00118	4MM L CUT& TIE SPACER	2
46	CZF05160	6MM L DISPENSER PART 991 TWIN	1

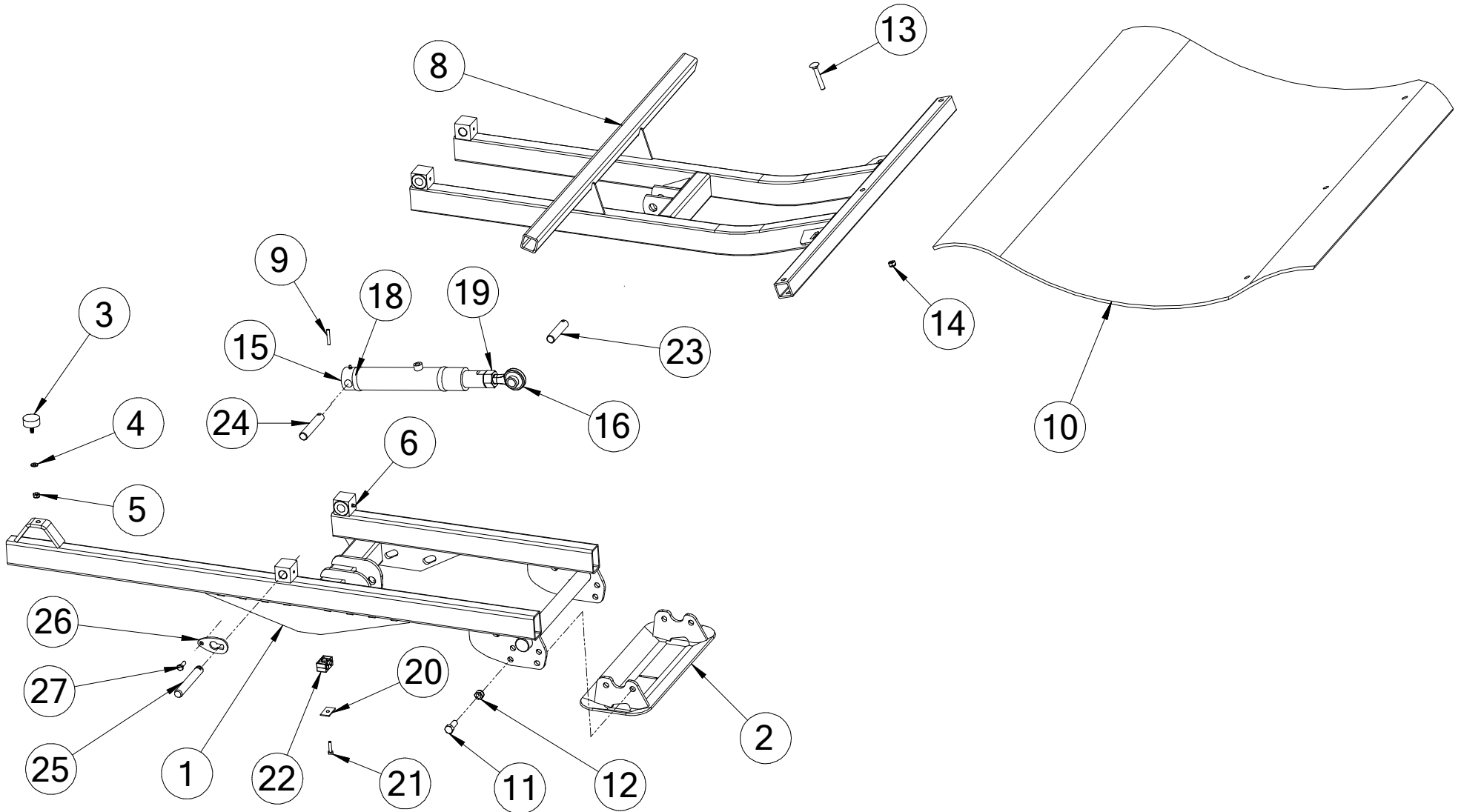
# Dispenser rollers (575)



No.	Part No	Description	Qty
0	ADP00015	FILM DISPENSER ASSEMBLY 750MM	1
<i>INCLUDES ITEMS 1 THROUGH 19</i>			
1	ADP00010	DISPENSER FRAME WELD ASY.	1
2	ADP00004	DISPENSER BOTTOM PLATE	1
3	CBR00004	BEARING 20MM 2BOLT P/S FLANGE	4
4	CMH00034	ROLLER DISPENSER PRIMARY ALU	1
5	CMH00035	ROLLER DISPENSER SECONDARY ALU	1
6	ADP00018	KIT DISPENSER GEARS 70%	1
<i>STANDARD</i>			
6	ADP00019	KIT DISPENSER GEARS 55%	1
<i>HOT CLIMATES</i>			
6	ADP00085	KIT DISPENSER GEARS 32%	1
<i>ENDURO PLASTIC</i>			
7	CFA00024	SETSCREW M10X25 Z/P	3
8	CFA00123	NUT M10 NYLOC	3
9	CFA00052	SETSCREW M8X20 Z/P	10
9a	CFA00102	SETSCREW M8X25 ZP	2
<i>USED WHEN DISPENSER CAP SPACER FITTED</i>			
10	CFA00132	NUT M8 NYLOC Z/P	8
11	CFA00153	KEY 6X6X15	2
12	CFA00139	WASHER FLAT 12MM H/D Z/P	2
13	CFA00124	NUT M12 NYLOC	2
14	CZD00114	4MM L DISPENSER SPACER	2
15	CGD00001	GUARD DISPENSER GEARS	1
15a	CZH02927	10MM L DISPENSER CAP SPACER	1
<i>IF FITTED</i>			
16	CBC00012	CAP PLASTIC HANDGRIP 7/8"	1
17	CEL00017	MAGNET BLUE WHEEL	1
18	CFA00047	SETSCREW M6X30 Z/P	1
19	CFA00131	NUT M6 NYLOC	1
20	ADP00016	TWIN 2nd FILM DISPENSER ASSEMBLY 750MM	1
<i>INCLUDES ITEMS 2 THROUGH 19 &amp; 21</i>			
21	ADP00170	DISPENSER WELD ASSY 991 TWIN	1

No.	Part No	Description	Qty
-----	---------	-------------	-----

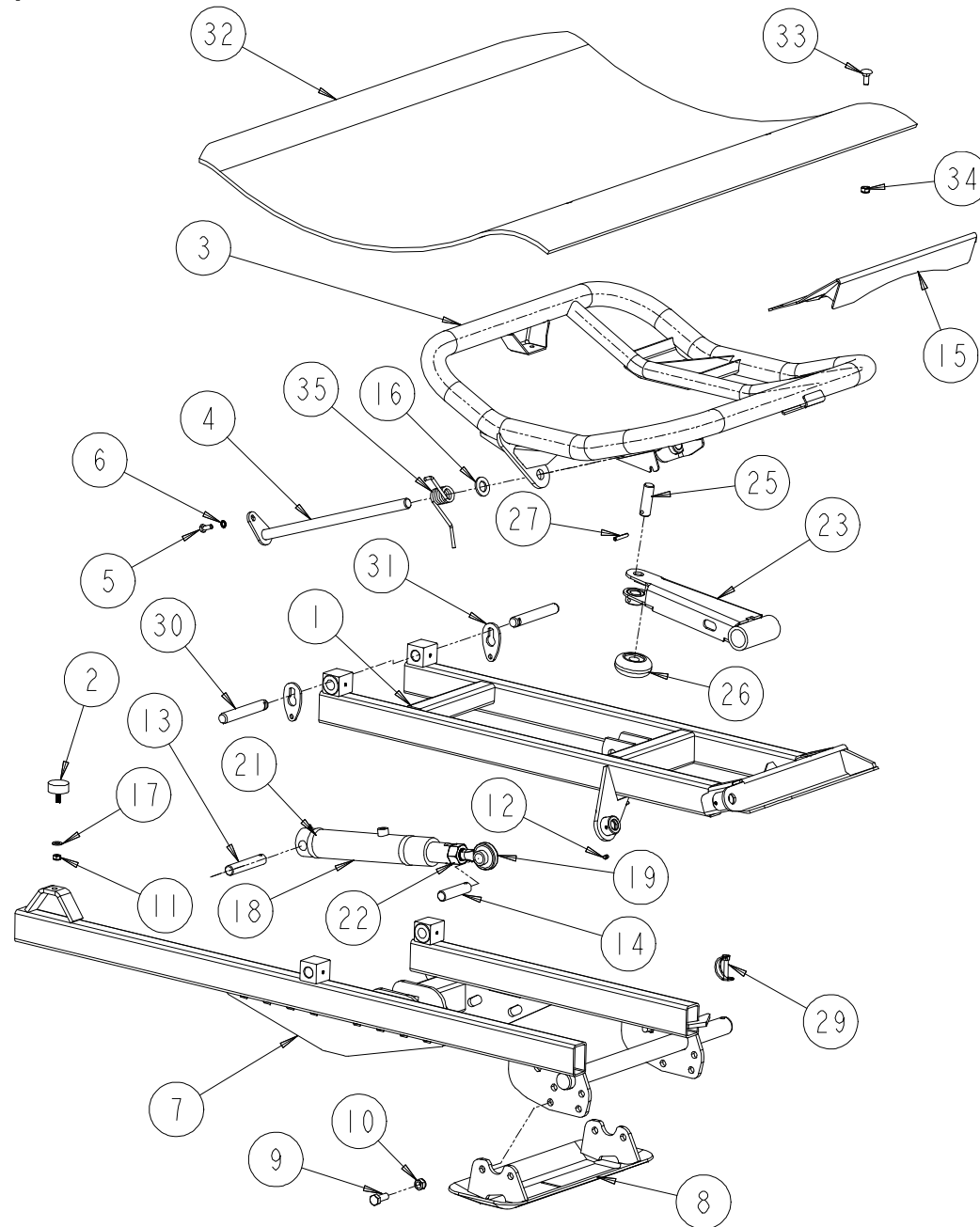
**Bale damper standard (241)**



No.	Part No	Description	Qty
0	ABD00003	BALE DAMPER STD FULL ASY	1
<i>INCLUDES ITEMS 1 THROUGH 28</i>			
1	ABD00004	BALE DAMPER FRAME	1
2	ABD00001	BALE DAMPER SLIDE	1
3	CBE00002	BUFFER RUBBER 50X21 M10X28	1
4	CFA00201	WASHER FLAT 10MM Z/P	1
5	CFA00123	NUT M10 NYLOC	1
6	CFA00118	GREASE NIPPLE M8X1.25 STRAIGHT	4
8	ABD00005	MAT FRAME STANDARD	1
9	CFA00010	ROLL PIN 8X50 Z/P	2
10	CBE00001	MAT STANDARD BALE DAMPER	1
11	CFA00151	SETSCREW M16X40 Z/P	4
12	CFA00128	NUT M16 NYLOC	4
13	CFA00037	BOLT M12X80 CUPHEAD Z/P	3
14	CFA00124	NUT M12 NYLOC	3
15	CRA00038	RAM BALE DROPPER 50MM PLUNGER	1
16	CRA01038	RAM TOP - ADJUSTABLE	1
17	CFA00118	GREASE NIPPLE M8X1.25 STRAIGHT	1
18	CSE00038	SEAL KIT BALE DAMPER RAM	1
19	CRA00138	NUT RAM ROD BALE DROPPER	1
20	CFA00183	HOSE CLAMP COVER PLATE 14MM	1
21	CFA00055	BOLT M8X35 Z/P	1
22	CFA00182	HOSE CLAMP 16MM	1
23	CMH00184	PIN 25X110&8MM C.HOLE Z/P	1
24	CMH00066	PIN 25X135&8MM C.HOLE	1
25	CMH00403	PIN 25X170 Z/P MILLED FOR CAP	2
26	CZF00292	6MM L CAP LONG FOR 25MM PINS	2
27	CFA00230	SETSCREW M10X30Z/P	2
28	CFA00123	NUT M10 NYLOC	2

No.	Part No	Description	Qty
-----	---------	-------------	-----

**Bale damper side tip (242)**

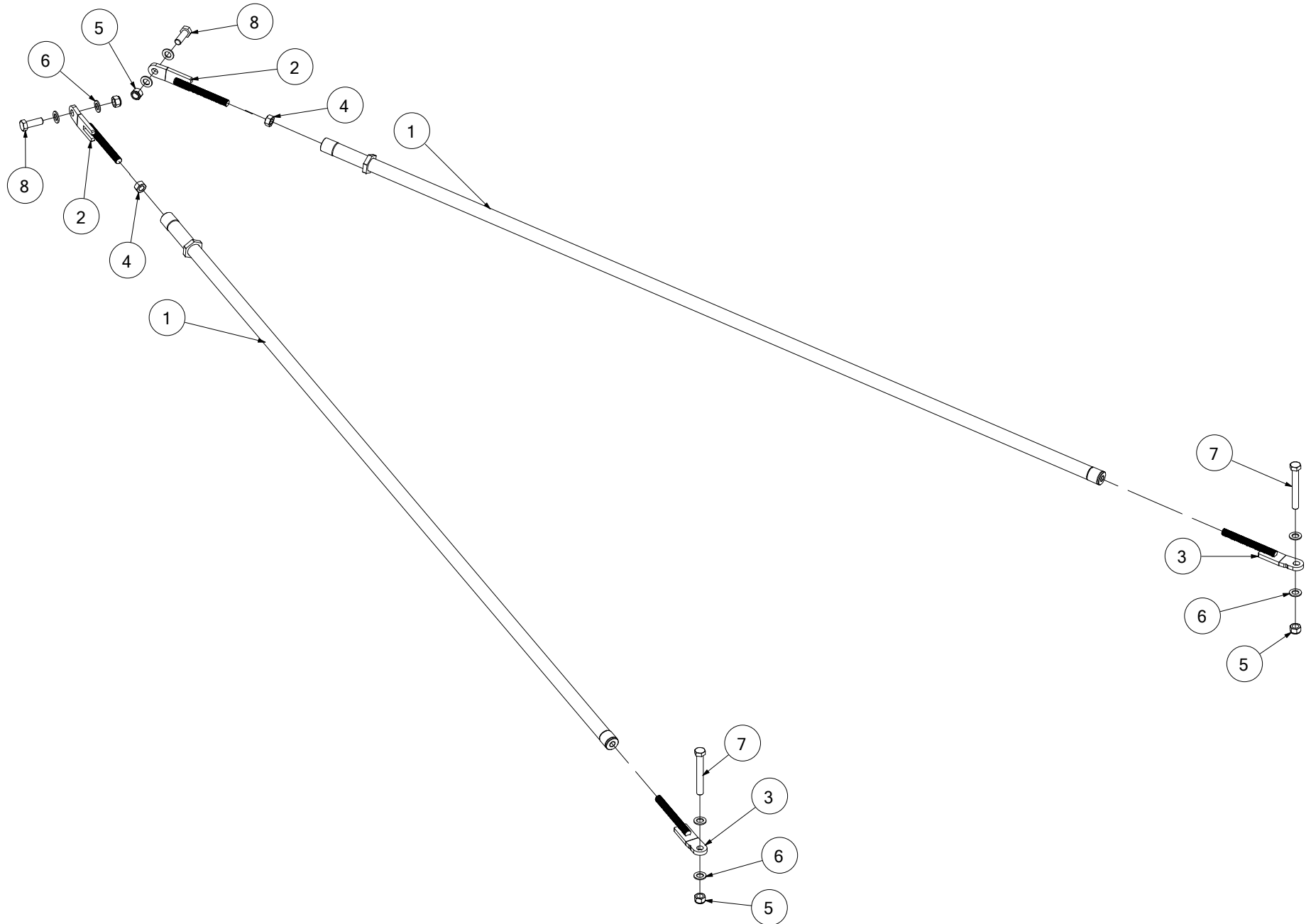




No.	Part No	Description	Qty
0	ABD00006	SIDE TIP ASSEMBLY COMPLETE STANDARD	1
<i>INCLUDES ITEMS 1 THROUGH 35 (STANDARD)</i>			
0	ABD00084	SIDETIP MATFRAME COMPLETE FRANCE	1
<i>INCLUDES ITEMS 1 THROUGH 35 (FRANCE ONLY)</i>			
1	ABD00007	SIDE TIP MAT FRAME STANDARD	1
1	ABD00085	SIDE TIP MAT FRAME TOP FRANCE	1
<i>FRANCE ONLY</i>			
2	CBE00002	BUFFER RUBBER 50X21 M10X28	3
3	ABD00013	SIDE TIP PIPE ASSY	1
4	ABD00015	SIDE TIP PIVOT PIN ASSEMBLY	1
5	CFA00024	SETSCREW M10X25 ZIP	1
6	CFA00137	WASHER SPRING 10MM H.D ZIP	1
7	ABD00008	SIDE TIP DAMPER FRAME BOTTOM STD	1
7	ABD00086	SIDE TIP MAT FRAME BOTTOM FRANCE	1
<i>FRANCE ONLY</i>			
8	ABD00001	BALE DAMPER SLIDE	1
9	CFA00151	SETSCREW M16X40 Z/P	4
10	CFA00128	NUT M16 NYLOC	4
11	CFA00123	NUT M10 NYLOC	3
12	CFA00118	GREASE NIPPLE M8X1.25 STRAIGHT	6
13	CMH00066	PIN 25X135&8MM C.HOLE	1
14	CMH00095	PIN 25X106&8MM C.HOLE	1
15	ABD00021	SIDE TIP EXTENSION	1
16	CFA00135	WASHERFLAT Z/P	2
17	CFA00138	WASHERFLAT 12MM Z/P	2
18	CRA00038	RAM BALE DROPPER 50MM PLUNGER	1
19	CRA01038	RAM TOP - ADJUSTABLE	1
20	CFA00118	GREASE NIPPLE M8X1.25 STRAIGHT	1
21	CSE00038	SEAL KIT BALE DAMPER RAM	1
22	CRA00138	NUT RAM ROD BALE DROPPER	1
23	ABD00009	SIDE TIP ARM ASY	1
25	CMH00152	PIN 25X80&8MM C.HOLE	1
26	CMH00063	BUSH 25X90X39 STEPPED PLASTIC	1
27	CFA00010	ROLL PIN 8X50 Z/P	1
28	CFA00135	WASHER FLAT Z/P	2
29	CFA00194	LINCH PIN PIPE 10MMX50MM	1
30	CMH00403	PIN 25X170 Z/P MILLED FOR CAP	2
31	CZF00292	6MM L CAP LONG FOR 25MM PINS	2
32	CBE00009	MAT SIDE TIP BALE DAMPER	1
33	CFA00078	SETSCREW M12X30 CUP SQ Z/P	2
34	CFA00124	NUT M12 NYLOC	2
35	CSG00020	SPRING TOR 7.62X42X42X6	1

No.	Part No	Description	Qty
-----	---------	-------------	-----

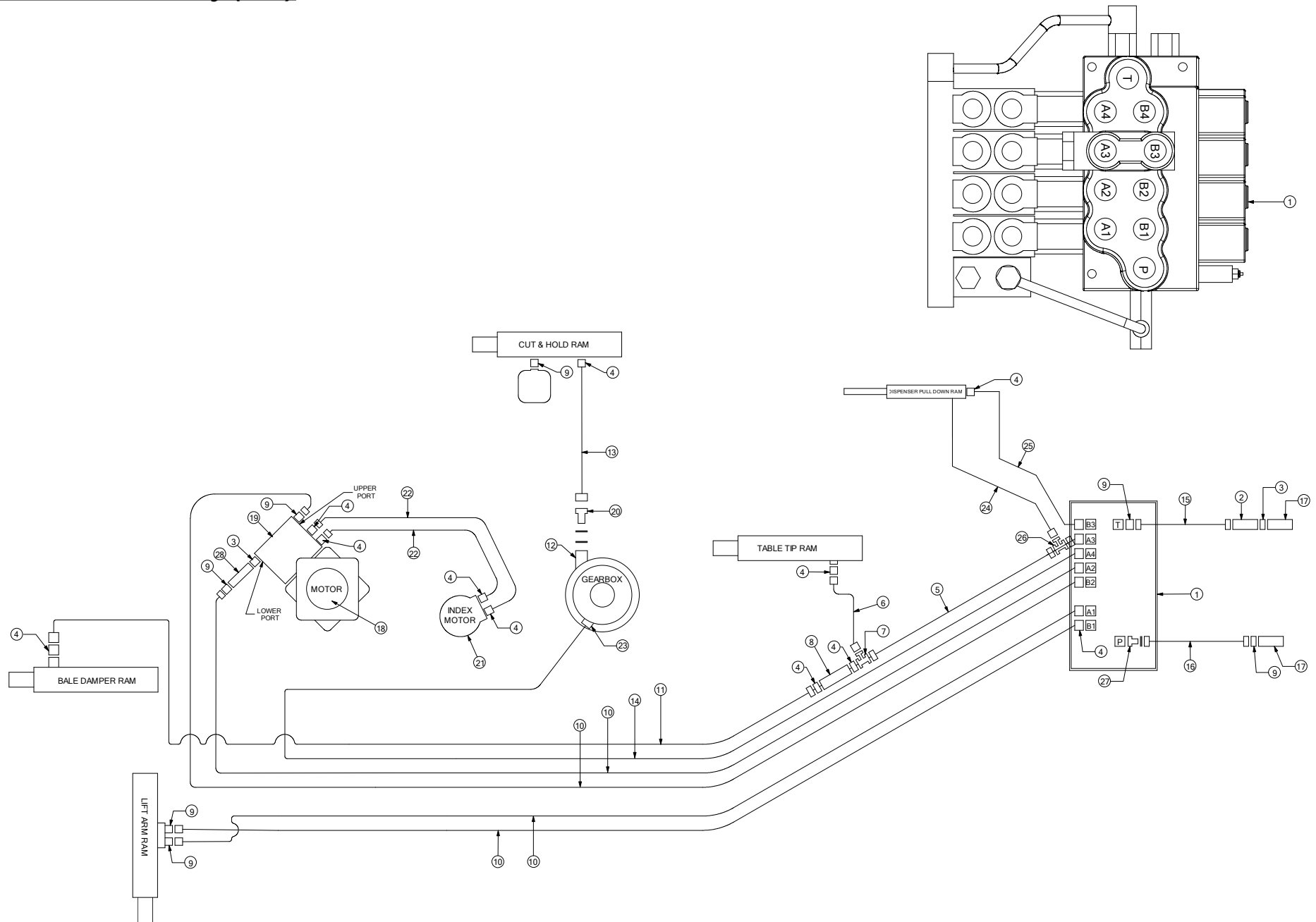
**Tie rod power pack kit (956)**



No.	Part No	Description	Qty
0	UWP00119	TIE ROD POWER PACK KIT 991	1
<i>INCLUDES ITEMS 1 THROUGH 8</i>			
1	ACH02873	TIE ROD CENTRE SECTION 991	2
2	ACH02875	TIE ROD RH THREAD EYE BOLT WELD	2
3	ACH02876	TIE ROD LH THREAD EYE BOLT WELD	2
4	CFA00127	NUT M16	2
5	CFA00128	NUT M16 NYLOC	4
6	CFA00140	WASHER FLAT 16MM Z/P	8
7	CFA00209	BOLT M16X120 Z/P	2
8	CFA00382	BOLT M16X45 Z/P	2

No.	Part No	Description	Qty
-----	---------	-------------	-----

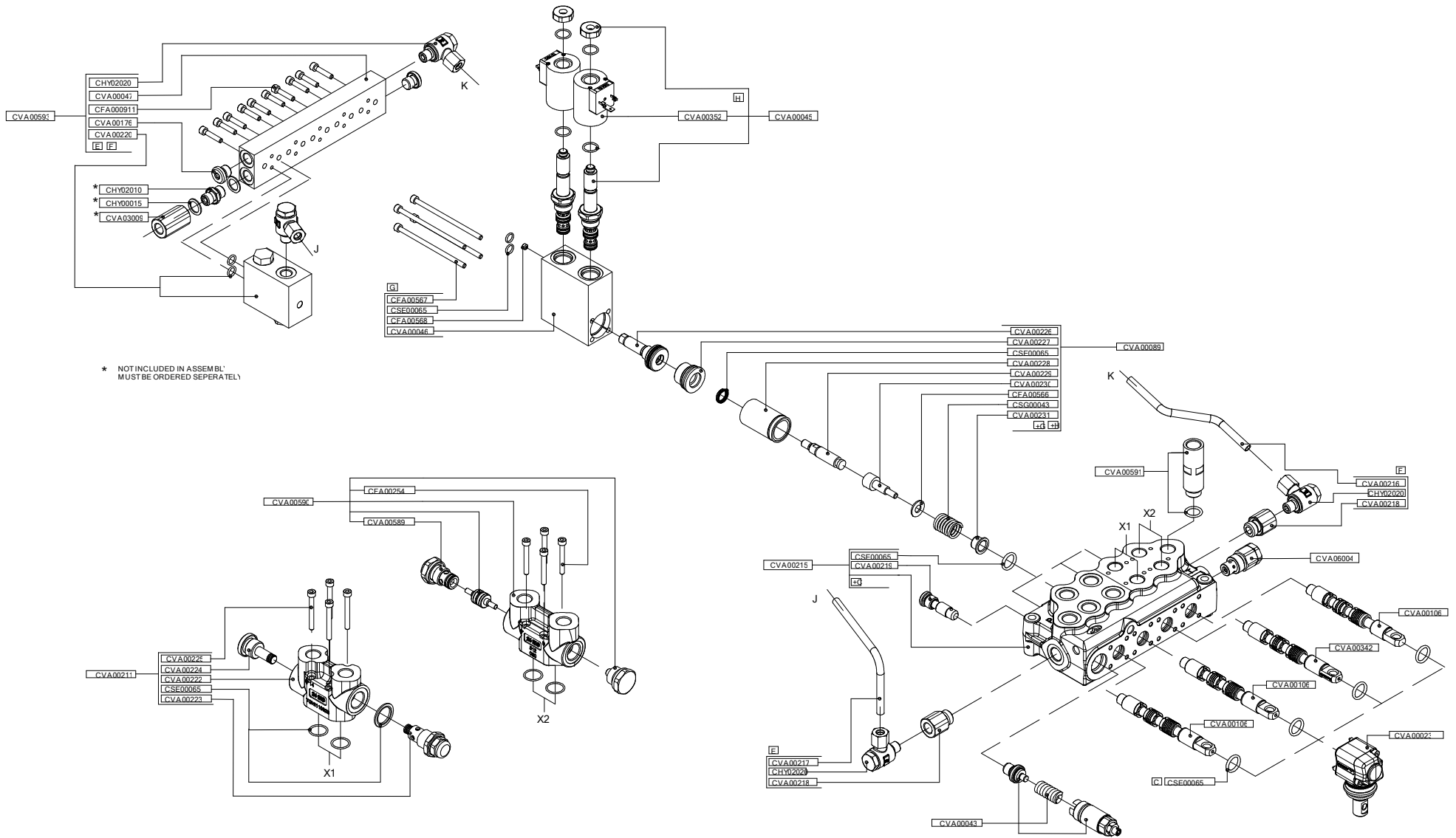
# Hydraulic assembly (576)



No.	Part No	Description	Qty
1	CVA00009	VALVE CTL 4 BANK ELECTRONIC	1
2	CVA02999	VALVE NON RET 1/2" 0.5BAR	1
3	CHY02013	ADAPTOR 1/2" BSP M/M	2
4	CHY02002	ADAPTOR 3/8" BSP M/M	16
5	CHY00084	HOSE - TABLE TIP FRONT	1
6	CHY00086	HOSE - TEE TO TABLE TIP	1
7	CHY02097	T PIECE 3/8" M-M-F	1
8	CVA03007	VALVE RESTRICTOR 3/8"	1
9	CHY02008	ADAPTOR 1/2" M 3/8" M	7
10	CHY00082	HOSE - LIFTARM MOTOR FEED/RETURN	4
11	CHY00085	HOSE - TEE TO MAT FRAME	1
12	CHY02098	ADAPTOR 3/8" BSP M-F	1
13	CHY00087	GEARBOX TO CUT & HOLD	1
14	CHY00256	HOSE - VALVE TO GEARBOX CUT & HOLD	1
15	CHY00089	HOSE - HOSE 1/2"X2400 M 90	1
16	CHY00088	TRACTOR TO VALVE FEED	1
17	CHY02015	QR 1/2" MALE PARKER 7V14G4X4	2
18	CMT00002	MOTOR 250CC 4BOLT 1 1/4" TAPER	1
19	CVA00341	VALVE SLOW SPEED 991BE TWIN DISP	1
20	CHY00098	ADAPTOR 3/8" BANJO BOLT	2
21	CMT00050	MOTOR (INDEXING)	1
<i>UP TO SERIAL NO. 58613</i>			
21	CMT00068	MOTOR 390CC 25SHAFT 2BOLT	1
<i>FROM SERIAL NO. 58614</i>			
22	CHY00257	HOSE - SLOW SPEED TO INDEX - HA06 0520WJ-F0600N-F0600N	2
23	CHY02529	HYD ADAPTOR M/M 1/4" 1/8"	1
24	CHY00259	HOSE - PULL DOWN ARM TO VALVE	1
25	CHY00258	HOSE - PULL DOWN ARM TO TEE	1
26	CHY02474	T PIECE 3/8"-1/4"-3/8" M-M-F	1
27	CHY00098	ADAPTOR 3/8" BANJO BOLT	1
<i>UP TO SERIAL NO. 58919.</i>			
27	CHY02625	BANJO BOLT 3/8"-1/4" FEMALE	1
<i>FROM SERIAL NO. 58920.</i>			
28	CVA00638	VALVE FLOW CTRL 1/2" 27 L/MIN	1
<i>SPEED LIMITER VALVE - HIGH SPEED</i>			

No.	Part No	Description	Qty
-----	---------	-------------	-----

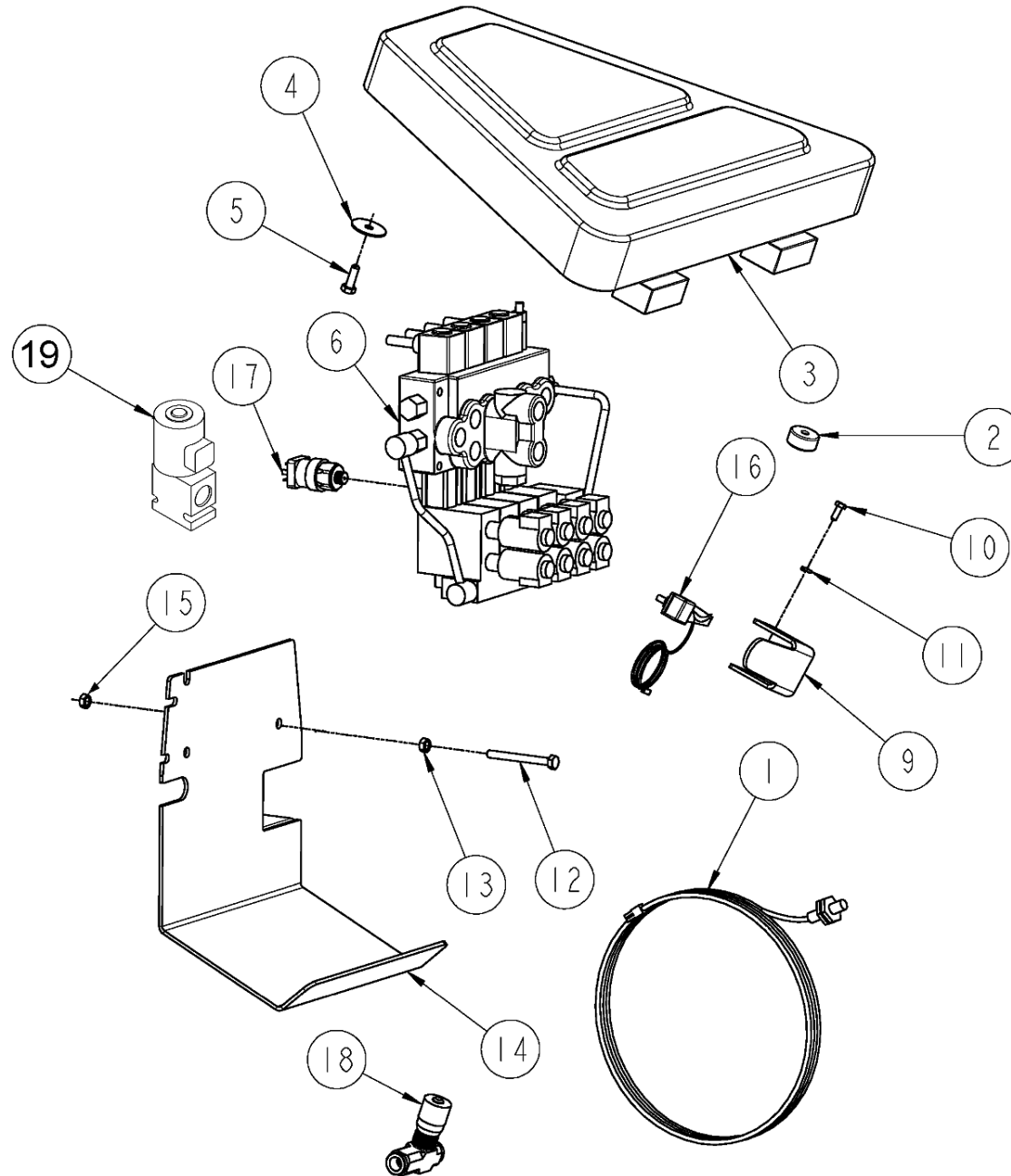
# Hydraulic control valve 991BE-BER-HS (715)



No.	Part No	Description	Qty
0	CVA00009	VALVE CTL 4 BANK ELECTRONIC 1	1
1	CVA00215	SD5 VALVE BLOCK	1
2	CVA00045	CTE+SOLENOID ELEC VALVE	8
2a	CVA00352	12V DC SOLND COIL FOR CVA00045	AR
3	CVA00046	VALVE BLOCK SOLENOID ELEC	4
4	CVA00043	VALVE RELIEF FOR SD5	1
5	CVA00023	LEVER PIVOT BOX 5D5 M8	4
6	CVA00593	SERVO MANIFOLD ASY	1
7	CVA00342	SPOOL TIP 991BE TWIN	1
8	CVA00106	SPOOL SD5 DBL ACTING	3
9	CVA00047	ALU MANIFOLD ELEC CTL VALVE	1
10	CVA00216	T/KE-SD5IPSA-PIPE	1
11	CVA00217	P/KE-SD5IPSA-PIPE	1
12	CVA06004	PLUG OPEN CTR ELEC VALVE	1
12a	CVA06001	PLUG CLOSE CTR	1
<i>USE ONLY ON CLOSED CENTRE HYD SYSTEMS - NOT PART OF ASY - MUST ORDER SEPARATELY</i>			
13	CVA00591	ADAPTOR G 3/8 STEM	1
14	CHY02020	ADAPTOR 1/4" BANJO ASY	4
15	CVA00218	G3/8"- G1/4" ADAPTOR	2
16	CVA00219	VR SD5 KIT CHECK	1
17	CVA00220	PRESSURE CONTROL BLOCK	1
18	CVA00176	PLUG BSP 1/4"	3
19	CFA00911	M5X25 SOC CAP SCREW	10
20	CVA00222	P3 SD5 BSP 3/8 BODY	1
21	CVA00223	P(G4-200)/SD5-SD11 CARTRIDGE	1
22	CVA00224	P3T/SD5-SD11 REPLACING PLUG	1
23	CVA00225	M5X45-12.9 UNI-5931 SOC CAP SCREW	4
24	CVA00211	RELIEF VALVE BLOCK ASY	1
25	CVA00226	PISTON SD5 SERVO	4
26	CVA00227	SEAL GLAND SD5 SERVO	4
27	CSE00065	SEAL KIT 4 BANK ELEC	4
28	CVA00228	SPACER SD5 SERVO	4
29	CVA00229	ROD SD5 SERVO	4
30	CVA00230	CONNECTING ROD 5D5 SERVO	4
31	CFA00566	WASHER 5D5 SERVO	4
32	CSG00043	SPRING SD5 SERVO	4
33	CVA00231	CUP SD5 SERVO	4
34	CFA00567	M5XIOO_8.8 UNI 5931 SCREW	16
35	CFA00568	M6x4.5-Fc=I SCREW	4
36	CVA00089	ELECTRIC SERVO SD5 B	4
37	CVA00590	PO CHECK ASM VBP5	1
38	CFA00254	M5X40 SOC CAP SCREW	4
39	CVA00589	VBP5 CHECK VALVE	1
40	CVA03009	VALVE DUMP 60 BAR	1
<i>NOT PART OF ASSEMBLY - MUST ORDER SEPARATELY</i>			
41	CHY02010	ADAPTOR 1/4" BSP	1
<i>NOT PART OF ASSEMBLY - MUST ORDER SEPARATELY</i>			
42	CHY00015	WASHER DOWTY 1/4"	2
<i>NOT PART OF ASSEMBLY - MUST ORDER SEPARATELY</i>			

No.	Part No	Description	Qty
-----	---------	-------------	-----

**Hydraulic components (579)**

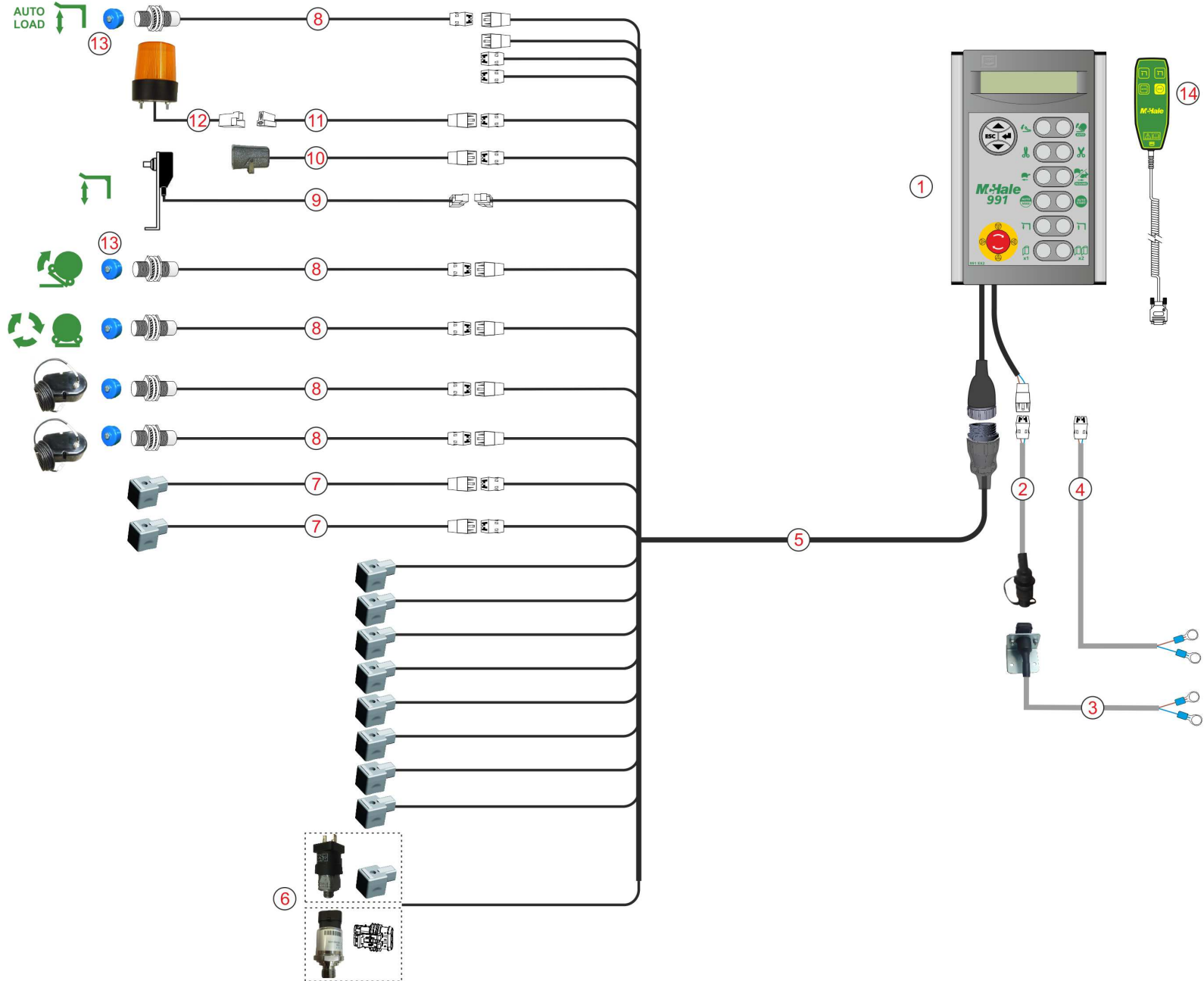




No.	Part No	Description	Qty
1	CEL00036	SENSOR CABLE 5M	1
<i>CEL00215 UNIVERSAL MAGNETIC SENSOR IS A SUITABLE REPLACEMENT FOR THIS PART.</i>			
2	CEL00017	MAGNET BLUE WHEEL	4
3	CPL00021	VALVE COVER 991 BE PLASTIC	1
4	CFA00149	WASHER MUDWING M8 31.8MM OD	1
5	CFA00407	BOLT M8X25 Z/P	1
6	CVA00009	VALVE CTL 4 BANK ELECTRONIC	1
9	CZD02137	4mm L LIFTARM SENSOR BRACKET	1
10	CFA00454	SETSCREW M6X16 Z/P	4
11	CFA00396	WASHER SPRING 6MM Z/P	4
12	CFA00057	SETSCREW M8X80 Z/P	3
13	CFA00133	NUT M8 Z/P	3
14	ACH00012	GUARD VALVE PROTECTION ELEC	1
15	CFA00132	NUT M8 NYLOC Z/P	3
16	CEL00164	POTENTIOMETER 991 LIFTARM	1
17	CEL00008	SWITCH PRESSURE 2000PS	1
<i>USED ON MACHINES UP TO SERIAL No 63266</i>			
17	CEL01525	ELECTRONIC PRESSURE SWITCH	1
<i>USED ON MACHINES FROM SERIAL No 63267</i>			
18	CVA03007	VALVE RESTRICTOR 3/8	1
19	REP00001	REPAIR KIT 991BE LEAKING C&H	1
<i>ONLY USED ON MACHINES UP TO SERIAL NO. 59412 (INCLUDES POPPET-VALVE CVA00579 + EXT-LOOM CEL00673 )</i>			

No.	Part No	Description	Qty
-----	---------	-------------	-----

# Electrical components (581)



No.	Part No	Description	Qty
1	CEL01636	EXPERT 2 CONTROL BOX 991	1
<i>REPLACES CEL00071</i>			
2	CEL00064	EURO PLUG POWER LEAD	1
3	CEL00010	EURO SOCKET TO BATT POWER LEAD	1
4	CEL00031	BAT POWER LEAD CTRL BOX DIRECT	1
5	CEL00087	LOOM AUTO ELECTRONIC 37 PIN	1
<i>USED ON MACHINES UP TO SERIAL No 63266</i>			
5	CEL01524	MAIN LOOM 991/995 MK2	1
<i>USED ON MACHINES FROM SERIAL No 63267</i>			
5a	CEL01772	PRESSURE SWITCH ADAPTER LOOM	1
<i>THIS IS USED TO CONNECT CEL01524 LOOM TO THE OLD MECHANICAL PRESSURE SWITCH CEL00008</i>			
6	CEL00008	SWITCH PRESSURE 2000PS	1
<i>USED ON MACHINES UP TO SERIAL No 63266</i>			
6	CEL01525	ELECTRONIC PRESSURE SWITCH	1
<i>USED ON MACHINES FROM SERIAL No 63267</i>			
7	CEL00113	LOOM EXT SOLENOID 3.3M	2
8	CEL00036	SENSOR CABLE 6M UNARMD UNIVERSAL	5
<i>CEL00215 UNIVERSAL MAGNETIC SENSOR IS AN IDEAL SUBSTITUTE BUT FOR 991 AUTO LOAD SENSOR USE CEL00378</i>			
9	CEL00164	POTENTIOMETER 991 LIFTARM	1
10	CEL00220	WARNING BUZZER COMPLETE ASY	1
11	CEL00293	CABLE EXT 2.8M BEACON 991/995	1
12	CEL00292	BEACON XENON AMBER	1
13	CEL00017	MAGNET BLUE WHEEL	5
14	CEL00836	REMOTE HAND CONTROLLER 991/995	1

No.	Part No	Description	Qty
-----	---------	-------------	-----

# Expert control unit (1074)



No.	Part No	Description	Qty
1	CEL00071	CTRL EXPERT 991	1
1	CEL00189	CTRL EXPERT FUSION 1	1
1	CEL00147	CTRL EXPERT HS2000	1
1	CEL00168	EXPERT CONTROL UNIT	1
1	CEL00153	CTRL EXPERT 991 RECON	1
1	CEL00253	CTRL EXPERT FUSION 1 RECON	1
1	CEL00185	CTRL EXPERT HS2000 RECON	1
1	CEL00645	CTRL EXPERT 998 RECON	1
1	CEL01649	CTRL EXPERT 2 C4 FEEDER/BLOWER	1
1	CEL01778	CTRL EXPERT 2 C4 RECON	1
2	CEL00288	EXPERT CONTROL BOX SCREEN	1
3	CEL00321	SCREEN PROTECTOR EXPERT	1
4	CEL00326	BATTERY EXPERT/EXPERT PLUS	1
5	CEL00365	CTRL UNIT CONNECTOR LOCK RING	1
6	CEL00670	CONTROL UNIT STOP SWITCH	1
7	CEL00671	STOP SWITCH CONTACT BLOCK - FOR CEL00670	1
8	CEL00371	EXPERT CABLE+PLATE 991/HS/998	1
8	CEL00372	EXPERT CABLE + PLATE FUSION1	1
8	CEL01675	EXPERT 2 CABLE + PLATE C4	1
9	CEL00064	EURO POWER LEAD	1
9	CEL01581	POWER LEAD USA	1
NORTH AMERICA ONLY			
10	CEL00010	EURO SOCKET TO BATT POWER LEAD	1
11	CEL00254	RDS EXPERT UPLOAD KIT	1
12	CEL00031	POWER LEAD	1
13	CPL00007	VACUUM PAD FLAT BACK	1
14	KST00070	CONTROL UNIT MOUNTING BRACKETS	1
15	CEL00098	CON HSG TAB 2 WAY AMP 180924-0	1
16	CEL00027	TERM CRIMP TAB AMP NO 42565-2	1
17	CEL00381	EXPERT KEYPAD MEMBRANE	1
18a	CEL00341	OVERLAY EXPERT HS2000	1
18b	CEL00340	OVERLAY EXPERT 998	1
18c	CEL00339	OVERLAY EXPERT 991	1
18d	CEL00342	OVERLAY EXPERT FUSION	1
18e	CEL01615	OVERLAY EXPERT 2 991	1
18f	CEL01616	OVERLAY EXPERT 2 998	1
18g	CEL01673	OVERLAY EXPERT 2 C4	1
19	CEL00324	BUZZER EXPERT	1
20	CEL00386	FUSION EXPERT EXTERNAL BUZZER	1
21	CEL01753	CONTROL UNIT STOP SWITCH NUT	1
22	CEL00315	PLUG 9 WAY D-TYPE (FARNELL: 108-4672 (10 PACK))	1
23	CEL00122	CON 9 WAY PLUG MALE	1
24	CEL00316	BACKSHELL 9 WAY D-TYPE	1
25	CEL00664	REMOTE HAND PIECE R/C	1
26	CEL00665	RADIO REMOTE RECEIVER	1
27	CEL00013	REMOTE HAND PIECE	1
28	CEL00012	REMOTE RECEIVER	1
29	CEL01643	2.4 GHZ RADIO REMOTE TRANSMITTER	1
30	CEL01644	2.4 GHZ RADIO REMOTE RECEIVER	1

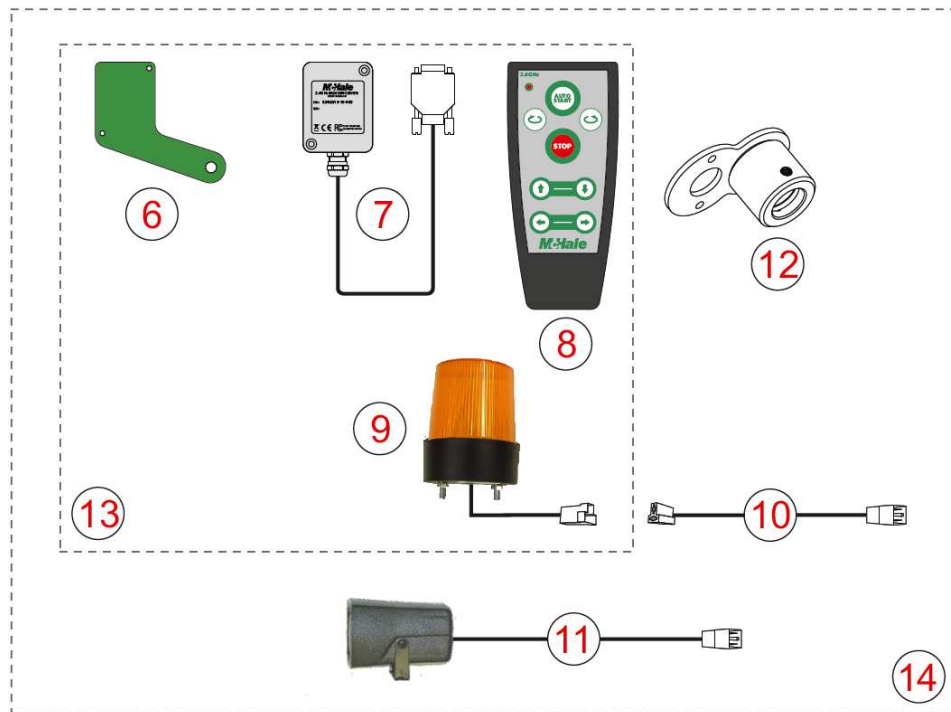
No.	Part No	Description	Qty
31	CEL00836	REMOTE HAND CONTROLLER 991/995	1
32	CEL01665	C4 JOYSTICK HAND PIECE	1

## Remote control options (263)



### Infrared Remote Control

Used on older versions of the 991/995/HS2000 (KST00007) and on the 998 (KST00022).



### Radio Remote Control

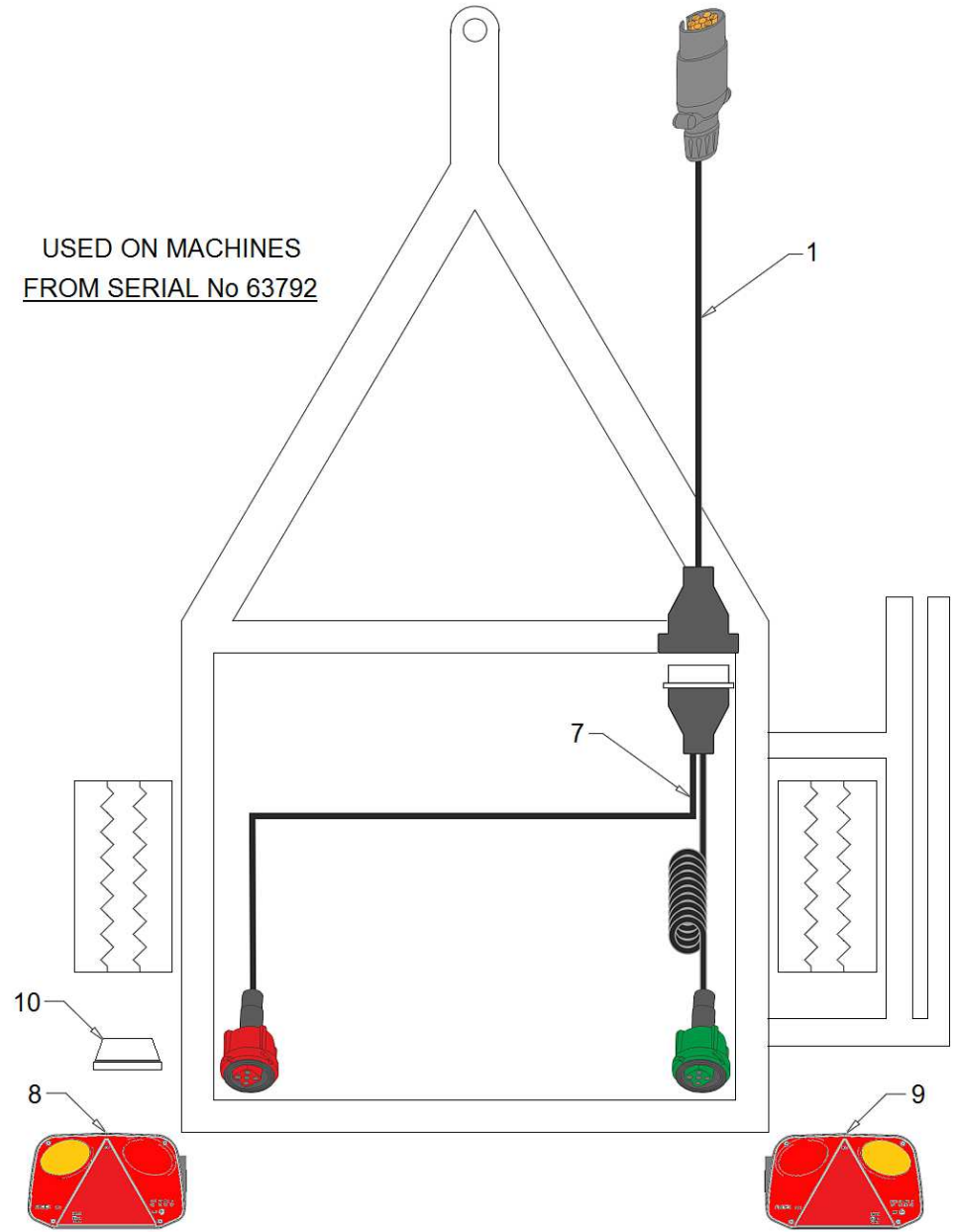
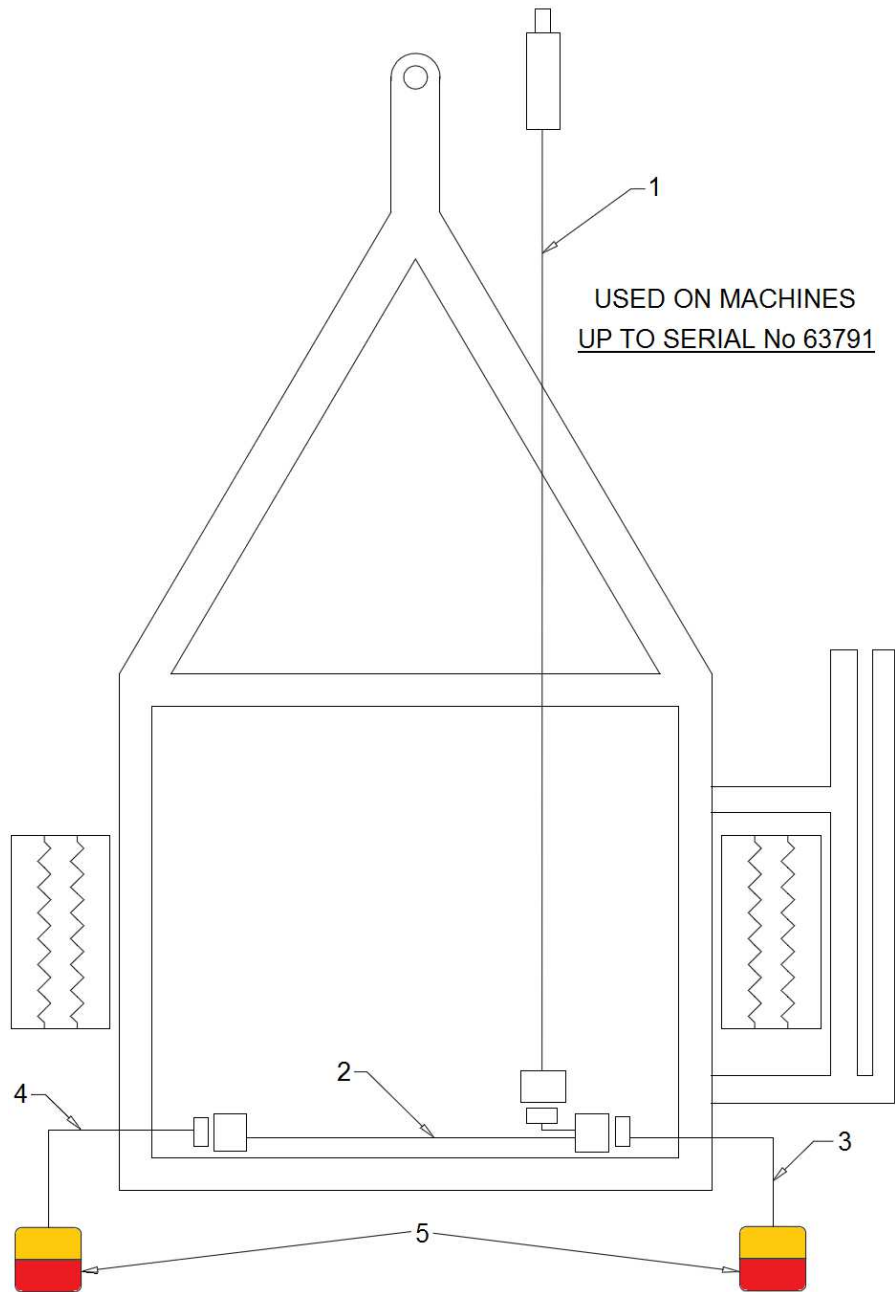
Used on 998 from serial 252200 onwards (KST00098). Kit includes items 6-9.

Supersedes infrared remote control on 991/995 (KST00053) and HS2000 (KST00021). Kit includes items 6-12.

No.	Part No	Description	Qty
1	CEL00013	REMOTE HAND PIECE	1
2	CEL00012	REMOTE RECEIVER	1
3	CZD02128	4MM L REMOTE POD BRACKET	1
4	CPL00007	VACUUM PAD FLAT BACK	1
5	KST00007	KIT REMOTE + BEACON 991/995	1
<i>REPLACED BY RADIO REMOTE CONTROL KIT KST00021 (HS2000) &amp; KST00053 (991/995)</i>			
5	KST00022	KIT INFARED REMOTE+BEACON 998	1
<i>USED ON 998 ONLY</i>			
6	CZC04362	BRACKET REMOTE TRANSMITTER.	1
7	CEL00665	433 MHZ RADIO REMOTE RECEIVER	1
<i>RECEIVER HAS AN EXTERNAL ANTENNA</i>			
7	CEL01644	2.4 GHZ RADIO REMOTE RECEIVER	1
<i>RECEIVER DOES NOT HAVE AN EXTERNAL ANTENNA</i>			
8	CEL00664	433 MHZ REMOTE HAND PIECE R/C	1
<i>TRANSMITTER HAS A GREEN &amp; YELLOW OVERLAY</i>			
8	CEL01643	2.4 GHZ RADIO REMOTE TRANSMITTER	1
<i>TRANSMITTER HAS A SILVER &amp; GREEN OVERLAY</i>			
9	CEL00292	BEACON XENON AMBER	1
<i>REPLACES CEL00032</i>			
10	CEL00293	CABLE EXT 2.8M BEACON 991/995	1
<i>USED ON 991/995 ONLY</i>			
10	CEL00294	CABLE EXT BEACON HS2000	1
<i>USED ON HS2000 ONLY UP TO SERIAL No 551069</i>			
11	CEL00220	WARNING BUZZER	1
12	ADP00160	BRACKET BEACON XENON	1
13	KST00098	RADIO REMOTE 998 252200 ONWARD	1
<i>USED ON 998 FROM SERIAL No 252200 ONWARDS (KIT INCLUDES ITEMS 6 TO 9)</i>			
14	KST00021	KIT REMOTE + BEACON HS2000	1
<i>USED ON HS2000 SERIES ONLY (KIT INCLUDES ITEMS 6 THROUGH 12)</i>			
14	KST00053	KIT RADIO REMOTE+BEACON 991/995	1
<i>USED ON 991/995 SERIES ONLY (KIT INCLUDES ITEMS 6 THROUGH 12)</i>			

No.	Part No	Description	Qty
-----	---------	-------------	-----

**Electrical lighting 991B (261)**





No.	Part No	Description	Qty
0	CEL00024	LIGHTING KIT 991TRAILED <i>USED ONLY ON MACHINES UP TO SERIAL No 63791 (INCLUDES ITEMS 1 THROUGH 5)</i>	1
0	CEL01570	LIGHTING LOOM KIT 991/995 <i>USED ON MACHINES FROM SERIAL No 63792 (INCLUDES ITEMS 1 &amp; 7) ITEMS 8, 9 &amp; 10 MUST BE ORDERED SEPARATELY</i>	1
1	CEL00069	FRONT LIGHTING LOOM	1
1	CEL01588	FRONT LIGHTING LOOM (USA) <i>USED ON MACHINES WITHIN THE USA &amp; CANADA ONLY (NO NEED FOR CEL01505 ADAPTOR)</i>	1
1a	CEL01505	LIGHT LOOM ADAPTER (AMERICA) <i>USED TO CONNECT LIGHTING ON MACHINES (WITH CEL00069 LOOM) IN THE USA &amp; CANADA</i>	1
1b	CEL01587	7 PIN LIGHTING PLUG SAE J560	1
2	CEL00121	LOOM LIGHTS JOINER 991 <i>USED ON MACHINES UP TO SERIAL No 63791</i>	1
3	CEL00067	LIGHT 991 TRAILED LIFTARM <i>USED ON MACHINES UP TO SERIAL No 63791</i>	1
4	CEL00068	LIGHT 991 TRAILED CHASSIS <i>USED ON MACHINES UP TO SERIAL No 63791</i>	1
5	CEL00120	LIGHTING REAR LENS TRAILED <i>USED ON MACHINES UP TO SERIAL No 63791</i>	2
7	CEL01573	REAR LIGHTING LOOM 991/995 <i>USED ON MACHINES FROM SERIAL No 63792</i>	1
8	CEL00700	TAIL LIGHT RADEX LEFT <i>COMPLETE LIGHT UNIT LHS (USED ON MACHINES FROM SERIAL No 63792)</i>	1
8a	CEL00788	LIGHT LENS RADEX 2800 LHS <i>LENS ONLY LHS</i>	1
8b	CEL00951	RADEX RED PLUG KIT (LEFT) <i>KIT CONTAINS CONNECTOR, HANDLE, CABLE-PROTECTION &amp; 5x CRIMP TERMINALS</i>	1
9	CEL00701	TAIL LIGHT RADEX RIGHT <i>COMPLETE LIGHT UNIT RHS (USED ON MACHINES FROM SERIAL No 63792)</i>	1
9a	CEL00787	LIGHT LENS RADEX 2800 RHS <i>LENS ONLY RHS</i>	1
9b	CEL00950	RADEX GREEN PLUG KIT (RIGHT) <i>KIT CONTAINS CONNECTOR, HANDLE, CABLE-PROTECTION &amp; 5x CRIMP TERMINALS</i>	1
10	CEL00720	REG PLATE LIGHT 900MM (RADEX) <i>USED ON MACHINES FROM SERIAL No 63792 (CEL00972 CAN BE USED AS A DIRECT ALTERNATIVE)</i>	1

No.	Part No	Description	Qty
-----	---------	-------------	-----

# Decals 1 [From Serial No 63792] (1068)

 <p>Decal_CST00006</p>	 <p>Decal_CST00014</p>	 <p>Decal_CST00015</p>	 <p>Decal_CST00017</p>	 <p>Decal_CST00019</p>	 <p>Decal_CST00026</p>
 <p>Decal_CST00028</p>	 <p>Decal_CST00031</p>	 <p>Decal_CST00032</p>	 <p>Decal_CST00048</p>	 <p>Decal_CST00049</p>	 <p>Decal_CST00050</p>
 <p>Decal_CST00056</p>	 <p>Decal_CST00057</p>	 <p>Decal_CST00059</p>	 <p>Decal_CST00060</p>	 <p>Decal_CST00061</p>	 <p>Decal_CST00063</p>
 <p>Decal_CST00191</p>	 <p>Decal_CST00192</p>	 <p>Decal_CST00193</p>	 <p>Decal_CST00257</p>	 <p>Decal_CST00901</p>	 <p>Decal_CST00923</p>

No.	Part No	Description	Qty
1	CST00006	DECAL FREEFLOW RETURN TO TANK	1
2	CST00014	DECAL WARNING! ROTATING ELEMENT	1
3	CST00015	DECAL REMOVE KEY 226	1
4	CST00017	DECAL ROTATING ELEMENTS 214	1
5	CST00019	DECAL CRUSHED HAND MCH-005	1
6	CST00026	DECAL HAND ENTRAPMENT MCH-019	1
7	CST00028	DECAL STAY CLEAR OF TABLE 008	1
8	CST00031	DECAL TABLE SPEED 30 RPM 001	1
9	CST00032	DECAL LIFTING HOOK	4
10	CST00048	DECAL BALE DAMPER CRUSH MCH020	2
11	CST00049	DECAL DISPENSER THREADING 991 MCH 004	1
12	CST00050	DECAL BALE DAMPER SKID	1
13	CST00056	DECAL ACCUMULATOR WARNING	1
14	CST00057	DECAL READ MANUAL	1
15	CST00059	DECAL TABLE SUPPORT BAR	5
16	CST00060	DECAL GREASE GUN MCH 004	6
17	CST00061	DECAL BALE DAMPER DROP SPEED	1
18	CST00063	DECAL BALE DAMPER/LIGHTS	1
19	CST00191	DECAL 991 HIGH SPEED FILM PATH	1
20	CST00192	DECAL 991 HIGH SPEED U-BOLT LOCATION	2
21	CST00193	DECAL 991 HIGH SPEED DISPENSER HEIGHT	1
22	CST00257	DECAL CHECK PRESSURE AND NUTS DAILY	2
23	CST00901	DECAL TIE DOWN	4
24	CST00923	DECAL JACKING POINT	2

No.	Part No	Description	Qty
-----	---------	-------------	-----

**Decals 2 [From Serial No 63792] (1069)**



CST00195



CST00196



CST00238



CST00235—CST00236—CST00237

No.	Part No	Description	Qty
1	CST00195	CHEVRON (YELLOW BACKGROUND BLACK STRIPES)	1
2	CST00196	SIDE TIP (IN GREEN) SILVER BACKGROUND	1
<i>WITH OPTIONAL SIDE TIP</i>			
3	CST00235	LARGE MCHALE LOGO 155X710	1
4	CST00236	MEDIUM MCHALE LOGO 69X415	1
5	CST00237	SMALL MCHALE LOGO 75X390	2
6	CST00238	991 HIGH SPEED STRIPE 960X60	2

No.	Part No	Description	Qty
-----	---------	-------------	-----