

McHale 998



QUALITY

I.S. EN ISO 9001:2008

NSAI Certified

998 Spare Parts Book

McHale,
Ballinrobe,
Co. Mayo, Ireland.

Tel: +353 94 9520300

Fax: +353 94 9520356

Email: sales@mchale.net

Website: www.mchale.net

This page is intentionally left blank

Introduction

The **McHale 998** which you have purchased has been developed through years of constant research and development. Given proper care and attention the **998** will give years of reliable and dependable performance. However it is important that the operators manual is read and fully understood to achieve this, **before** the machine is operated. As part of this philosophy it is vital to use only **genuine McHale** replacement parts, as these are manufactured to the same high standard as the original machine. These may be obtained through your **McHale** dealer.

If any part of this manual is not fully understood, please contact your **McHale** dealer who will be able to answer any questions or queries that you might have. It is important to quote the machine serial number when requiring spare parts or technical assistance. Space is provided below to record the machine details:

Serial number:	
Year of manufacture:	
Date of delivery:	

If you require further copies of this spare parts manual please
quote part number CLT00071

Note: Parts described as left and right are done so according to the direction that the machine normally travels in.

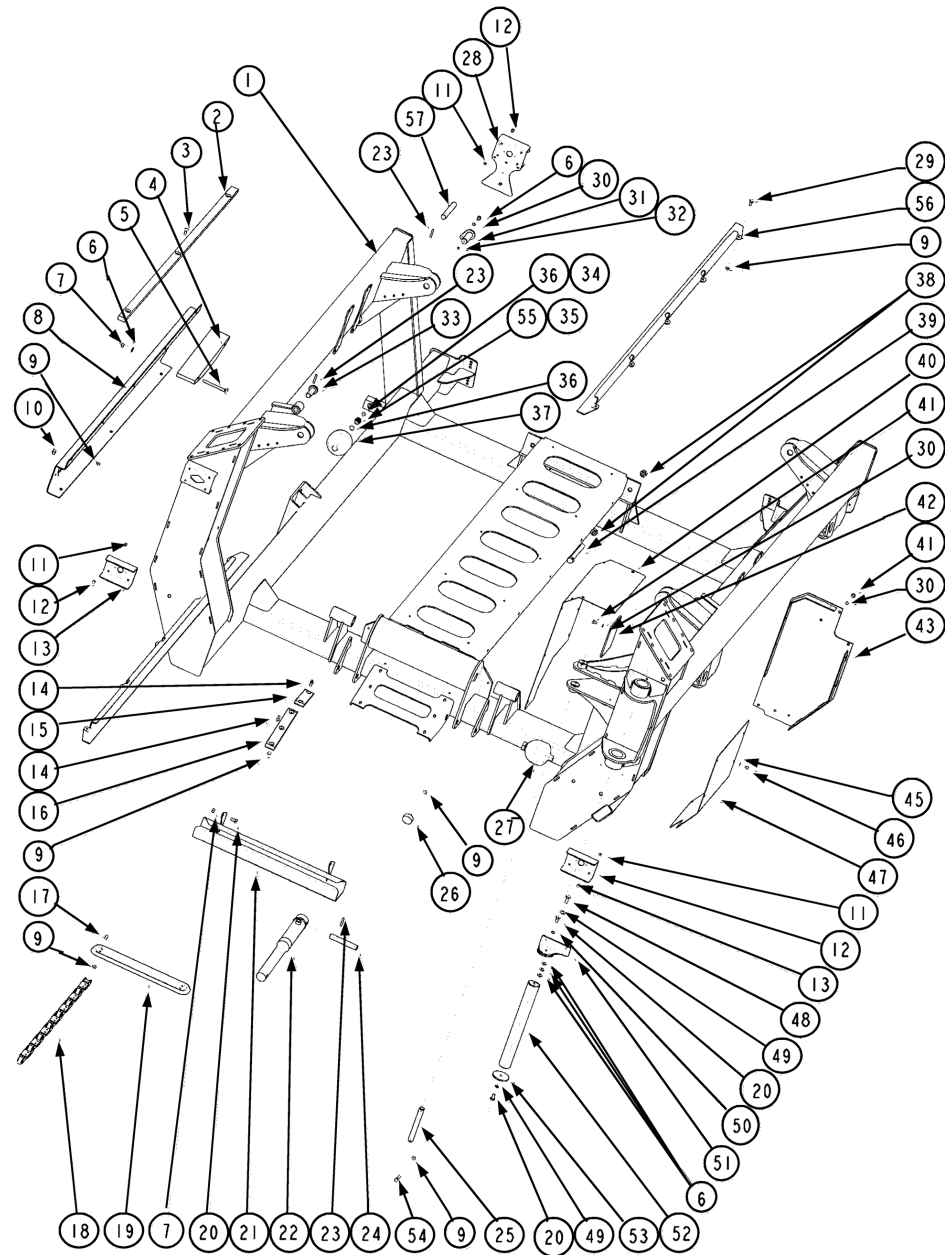
Note: Due to a policy of continuous product development and improvement *McHale Engineering* reserve the right to alter machine specifications without prior notice.

Contents

Section	Page No	Document No	Section	Page No	Document No
Chassis			Air brake kit 998 up to & incl 2008 (347)	58	SPD00347
Chassis 1 (315)	6	SPD00315	Air brake kit 998 from 2009 onwards (944)	60	SPD00944
Stub axles & Wheels (317)	8	SPD00317	Electrical components [Up to Serial No 250617] (342)	62	SPD00342
Arch (318)	10	SPD00318	Electrical components [Serial No 250618 to 251187] (343)	64	SPD00343
Dispenser arm (319)	12	SPD00319	Electrical components [From Serial No 251188] (797)	66	SPD00797
Dispenser drive (320)	14	SPD00320	Electrical lighting (344)	68	SPD00344
Dispenser (321)	16	SPD00321	Remote control options (263)	70	SPD00263
Cut & Hold back plate (322)	18	SPD00322	Decals		
Cut & Hold slider (323)	20	SPD00323	Decals (345)	72	SPD00345
Unloading roller (324)	22	SPD00324			
Unloading roller table (585)	24	SPD00585			
Cradle arm (325)	26	SPD00325			
Rollers (327)	28	SPD00327			
Drawbar (328)	30	SPD00328			
Headstock (329)	32	SPD00329			
PTO shaft (330)	34	SPD00330			
Hydraulic tank (331)	36	SPD00331			
Main conveyor main drive (332)	38	SPD00332			
Bale position sensor arms (334)	40	SPD00334			
Front conveyor (335)	42	SPD00335			
Spare film holder (337)	44	SPD00337			
Round bale kit (346)	46	SPD00346			
Small bale kit (348)	48	SPD00348			
Hydraulic & Electrical					
Hydraulic control valve (338)	50	SPD00338			
Hydraulic valve roller rotation (339)	52	SPD00339			
Hydraulic valve dispenser drive (340)	54	SPD00340			
Hydraulic pipes steel (341)	56	SPD00341			

This page is intentionally left blank

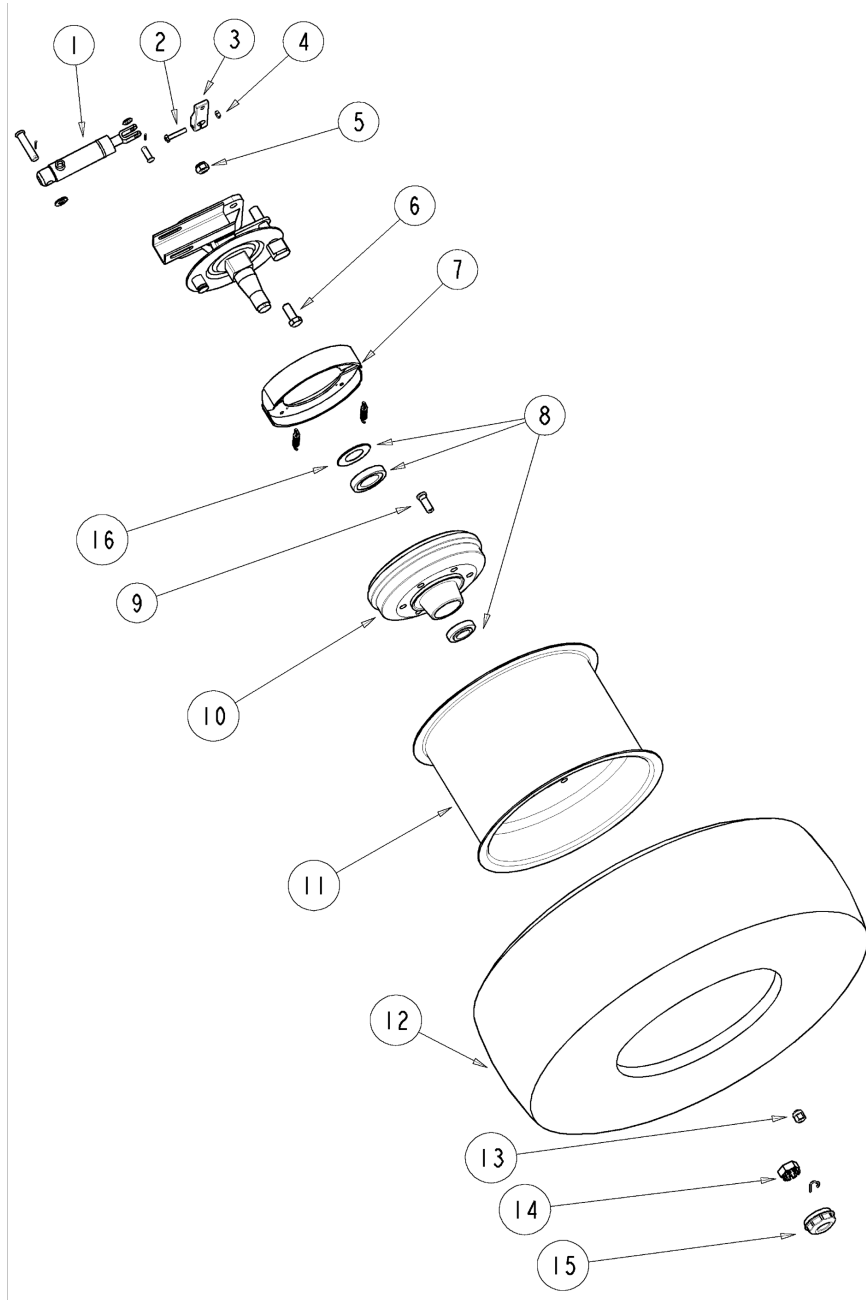
Chassis 1 (315)



No.	Part No	Description	Qty
1	ACH00001	CHASSIS	1
2	CMH00249	BOTTOM RUNNER STRIP (WOOD)	2
3	CFA00017	SETSCREW, M10x30 CUP SQUARE Z/P	6
4	CMH00329	CHAIN GUIDE (WOOD)	2
5	CFA00289	BOLT, M12x130 CUP SQUARE Z/P	4
6	CFA00138	WASHER, 12mm FLAT	7
7	CFA00124	NUT, M12 NYLOC	8
8	CZD02079	CONVEYOR BOTTOM RUNNER LIP RIGHT	1
8	CZD02100	CONVEYOR BOTTOM RUNNER LIP LEFT	1
9	CFA00123	NUT, M10 NYLOC	204
10	CFA00126	NUT, M14 NYLOC	10
11	CFA00132	NUT, M8 NYLOC	8
12	CFA00052	SETSCREW, M8x20 Z/P	8
13	CZD02035	FRONT LIGHT BRACKET	2
14	CFA00290	SETSCREW, M10x30 CSK HEX	10
15	CMH00247	SHORT WEAR STRIP (PLASTIC)	2
16	CMH00246	LONG WEAR STRIP (PLASTIC)	2
17	CFA00243	SETSCREW, M10x20 BUTTON HEAD	188
18	ACH00037	MAIN CONV. CHAIN COMPLETE (9,17,18,19)	1
18	CCH00014	MAIN CONV. SINGLE CHAIN C/W JOINER	2
18	CCH02008	JOINER LINK	2
18	CCH02012	INNER LINK (ATTACHMENT)	0
<i>AS REQUIRED</i>			
19	CZC02001	CONVEYOR SLAT	47
<i>FROM SERIAL NO. 90001</i>			
19	CZC02017	CONVEYOR SLAT	47
<i>UP TO SERIAL NO. 9809</i>			
19	CFA00031	SETSCREW, M12x25 Z/P	6
21	ACH00038	HYDRAULIC HOSE TRAY	1
22	CRA00082	CONVEYOR LIFT CYLINDER COMPLETE	2
22	CSE00084	LIFT CYLINDER SEAL KIT	1
22	CRA00088	LIFT CYLINDER ROD	1
22	CRA00089	LIFT CYLINDER GLAND	1
23	CFA00010	ROLL PIN, 8x50 Z/P	11
24	CMH00276	LIFT CYLINDER REAR PIVOT PIN	2
25	CMH00071	DRAWBAR CYLINDER REAR PIVOT PIN	1
26	CBE00002	RUBBER BUFFER	2
27	CVA03010	HYDRAULIC ACCUMULATOR, 30 BAR	1
28	ACH00051	REAR LIGHT BRACKET	2
29	CFA00024	SETSCREW, M10x25 Z/P	16
30	CFA00137	WASHER, 10mm SPRING	8
31	ACH00042	CRADLE PIVOT PIN	4
32	CFA00118	GREASE NIPPLE, M8 STRAIGHT	4
33	CMH00287	SLOTTED LINK TOP PIN	2
34	CHY00020	WASHER, 3/8" "DOWTY"	2
<i>UP TO SERIAL NO. 90054</i>			
35	CHY02008	ADAPTER, 3/8"-1/2"	2
<i>UP TO SERIAL NO. 90054</i>			
36	CHY00053	WASHER, 1/2" "DOWTY"	4
37	CVA03011	HYDRAULIC ACCUMULATOR, 70 BAR	2

No.	Part No	Description	Qty
38	CFA00305	NUT, M20 PLAIN Z/P	4
39	ACH00039	MAIN CONVEYOR ADJUSTER BOLT	2
40	CZB02018	HYDRAULIC VALVES INNER COVER	1
41	CFA00023	SETSCREW, M10x20 Z/P	9
42	CZF02133	INSPECTION COVER	1
43	ACH00040	HYDRAULIC VALVES REAR COVER	1
45	CFA00251	WASHER, 10mm SKM	16
46	CFA00292	SETSCREW, M8x10 SOCKET CAP	16
47	CZB02017	HYDRAULIC VALVES OUTER COVER	1
48	CFA00033	SETSCREW M12x35 Z/P	1
49	CFA00250	WASHER, 12mm SKM	1
50	CFA00207	WASHER, 12mm SPRING	1
51	ADB00011	DRAWBAR MAIN PIVOT PIN CAP	1
52	CMH00259	DRAWBAR MAIN PIVOT PIN	1
53	CZF02105	WASHER, 12x85x6	1
54	CFA00027	BOLT M10x60 Z/P	1
55	CHY02013	ADAPTER, 1/2"-1/2"	2
<i>FROM SERIAL NO. 90055</i>			
56	CZD02102	CHAIN RUNNER	2
<i>FROM SERIAL NO. 249995</i>			
57	CMH00030	BOTTOM BALE LIFT CYLINDER PIN	4
	CMH00070	MAIN CONVEYOR REAR DRIVE HINGE PIN	2
	ACH00053	CHAIN DOWN CLAMP	4
<i>UP TO SERIAL NO. 90055</i>			
	CTP00046	WHEEL CHOCK	2
<i>FROM SERIAL NO. 250172</i>			
	CTP00047	WHEEL CHOCK BRACKET	2
<i>FROM SERIAL NO. 250172</i>			

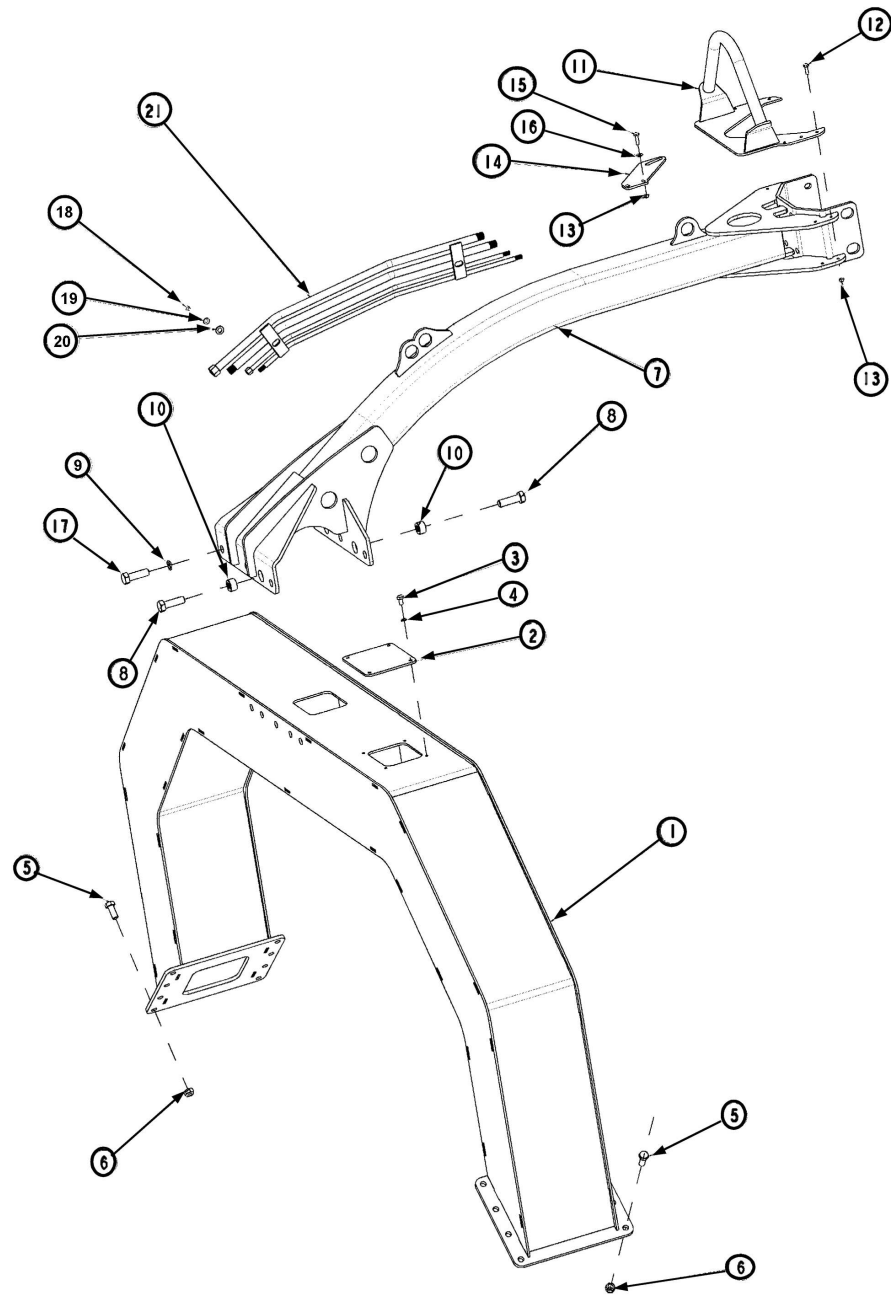
Stub axles & Wheels (317)



No.	Part No	Description	Qty
	CAX00012	STUB AXLE, COMPLETE (HYD + AIR) LEFT	1
LH			
	CAX00013	STUB AXLE, COMPLETE (HYD + AIR) RIGHT	1
RH			
1	CRA00100	BRAKE OPERATING CYLINDER (HYD)	1
2	CFA00127	BOLT M10x60 Z/P	1
3	CAX00018	BRAKE OPERATING LEVER	1
4	CFA00008	NUT M10 PLAIN	1
5	CFA00129	NUT M20 NYLOC	6
6	CFA00302	SETSCREW, M20x50 Z/P	6
7	CAX00019	BRAKE SHOES (SET) (FAD)	1
FAD			
8	ACH00047	BEARING KIT (2 BEARINGS & SEAL) ADR	1
ADR			
8	ACH00048	BEARING KIT (2 BEARINGS & SEAL) FAD	1
FAD			
9	CFA00235	WHEEL STUD M18X1.5 (FAD)	6
10	CAX00020	HUB (BRAKED)	1
	CWH00007	WHEEL COMPLETE (16/70-20)	1
11	CWH00014	WHEEL CENTRE (14x20)	1
12	CWH00016	TYRE (16/70-20)	1
13	CFA00121	WHEEL NUT	6
14	CAX00022	HUB NUT (ADR)	1
ADR			
14	CAX00023	HUB NUT (FAD)	1
FAD			
15	CAX00024	HUB CAP (ADR)	1
ADR			
15	CAX00025	HUB CAP (FAD)	1
FAD			
16	CSE00004	HUB SEAL (ADR)	1
ADR			
16	CSE00007	HUB SEAL (FAD)	1
FAD			

No.	Part No	Description	Qty
-----	---------	-------------	-----

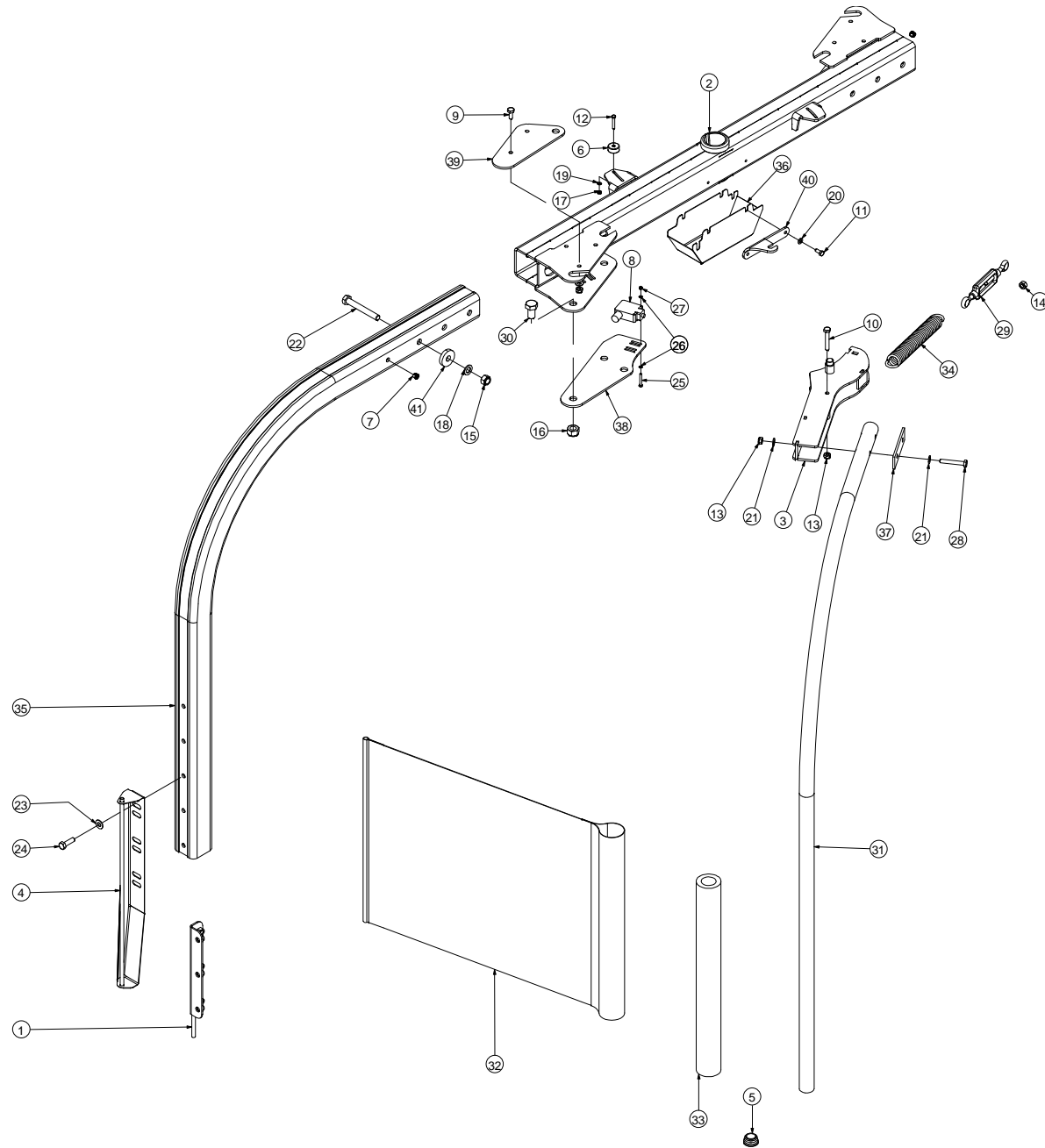
Arch (318)



No.	Part No	Description	Qty
1	ACH00044	ARCH	1
2	CZF02133	INSPECTION COVER	1
3	CFA00023	SETSCREW, M10x20 Z/P	4
4	CFA00137	WASHER, 10MM SPRING	4
5	CFA00151	SETSCREW, M16x40 Z/P	16
6	CFA00128	NUT, M16 NYLOC	16
7	ACH00240	TOP ARM	1
8	CFA00302	SETSCREW M20x50 Z/P	4
9	CFA00329	WASHER M20 SPRING Z/P	6
10	CMH00107	DOWEL Z/P	4
11	ATR00018	TOP REDUCTION GUIDE	1
12	CFA00102	SETSCREW M8x25 Z/P	2
13	CFA00132	NUT M8 NYLOC	2
14	CZF02631	SENSOR PLATE	1
15	CFA00316	BOLT M8x30 Z/P	2
16	CFA00249	WASHER SKM8	2
17	CFA00381	BOLT M20 X 50 Z/P	6
18	CFA00292	M8 X 10 SOCKET HEAD BOLT	2
19	CFA00249	WASHER SKM8	2
20	CFA00251	WASHER SKM10	2
21	CHY02107	STEEL HYDRAULIC PIPE ASSEMBLY	1

No.	Part No	Description	Qty
-----	---------	-------------	-----

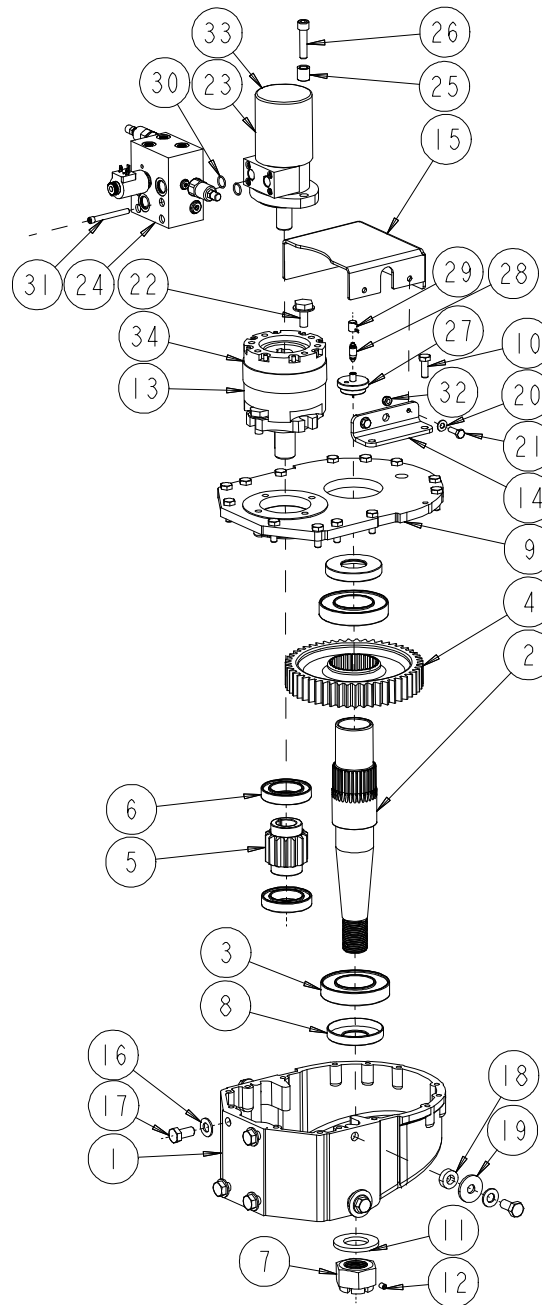
Dispenser arm (319)



No.	Part No	Description	Qty
1	ADP00057	DISPENSER BCK ASSY	2
2	ADP00070	DISP ARM WELDCENTRE 998	1
3	ADP00197	TRIP ARM TUBE HOLDER	2
4	ADP00206	998 TRIP ARM MESH HOLDER BRACKET	2
5	CBC00005	CAP PLAS INSERT ROUND 42.4MM	2
6	CEL00017	MAGNET BLUE WHEEL	2
7	CEL00061	BUSH SNAP 8.2X13 NYLON	1
8	CEL00090	SWITCH LIMIT	2
9	CFA00024	SETSCREW M10X25 Z/P	4
10	CFA00028	BOLT M10X65 Z/P	2
11	CFA00052	SETSCREW M8X20 Z/P	4
12	CFA00099	SETSCREW M6X40 Z/P	2
13	CFA00123	NUT M10 NYLOC	10
14	CFA00125	NUT M12 Z/P	2
15	CFA00128	NUT M16 NYLOC	6
16	CFA00129	NUT M20 NYLOC	4
17	CFA00131	NUT M6 NYLOC	2
18	CFA00140	WASHER FLAT 16MM Z/P	6
19	CFA00144	WASHER FLAT 6MM Z/P	2
20	CFA00147	WASHER FLAT 8MM Z/P	4
21	CFA00201	WASHER FLAT 10 MM Z/P	12
22	CFA00209	BOLT M16X120 Z/P	6
23	CFA00250	WASHER SKM12	12
24	CFA00297	BOLT M12X40 Z/P	12
25	CFA00314	SETSCREW M5X40 Z/P	4
26	CFA00320	WASHER FLAT 5MM	10
27	CFA00321	NUT M5 NYLOC	4
28	CFA00383	BOLT M10X70 Z/P	4
29	CFA00774	TURNBUCKLE EYE 12MM	2
30	CFA00864	SETSCREW M20X35 Z/P	4
31	CGD00028	DISPENSER SAFETY ARM ALUMINIUM	2
31	CGD00010	SAFETY ARM DISPENSER 998 PRE 2002	2
<i>USED PRE 2002. REPLACED BY CGD00028</i>			
32	CGD00229	DISPENSER 998 YELLOW PVC	2
33	CPL00028	INSULATION SAFETY BAR	2
34	CSG00223	SPRING TRIP ARM 6.35X40X280	2
35	CXB00181	BOX 82X82X6 ALUMINIUM BENT90	2
36	CZB02050	1.5MM L DISPENSER LOOM COVER COMBI 2000	1
37	CZF02356	6MM L DISPENSER ARM ASSY	2
38	CZF05510	6MM L PLATE	2
39	CZF05513	6MM L PLATE	2
40	CZF05555	6MM L BRACKET 998	2
41	CZH00128	10MM L BALE HANDLER	6

No.	Part No	Description	Qty
-----	---------	-------------	-----

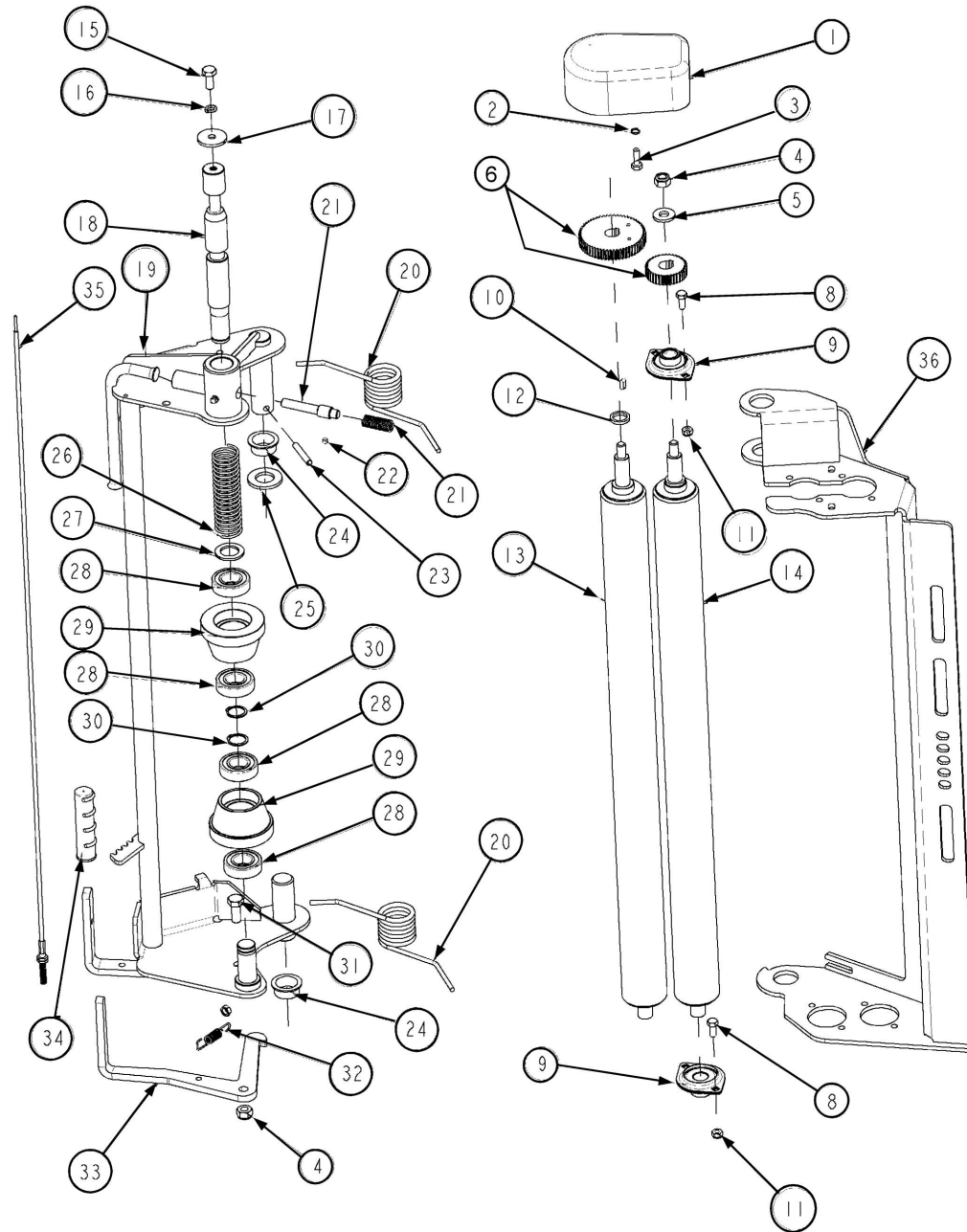
Dispenser drive (320)



No.	Part No	Description	Qty
1	CMT00033	GEARBOX DISPENSER ROTATION	1
2	CMT00035	GEARBOX SHAFT TOP/REDU.C2000	1
3	CBR00048	BEARING62I2	2
4	CMH00410	GEARSPURCOMBIGEARBOX	1
5	CMH00409	GEAR SPUR XM 14T COMBI GEARBOX	1
6	CBR00047	BEARINGSNR6OIO	2
7	CFA00411	NUTCOMBIGEARBOX	1
8	CSE00095	SEAL GEARBOX COMBI	2
9	CMT00040	GEAR BOX COVER PLATE COMBI	1
10	CFA00025	SETSCREWMIOX3O	13
11	CFA00412	WASHER 39X72X6	1
12	CFA00051	GRUBSCREW M8XIO	1
13	CMT00004	BRAKE UNIT HYDRAULIC	1
<i>UP TO SERIAL NO. 250159</i>			
13	REP00052	REPAIR KIT 998 MOTOR + BRAKE	1
<i>SERIAL NO. 250160 TO 250993</i>			
13	CMT00226	BRAKE UNIT HYDRAULIC	1
<i>FROM SERIAL NO. 250994</i>			
14	CZF02358	6MM L SENSOR BRACKET COMBI 2000	1
15	CZD02171	4MM L SENSOR GUARD COMBI 2000	1
16	CFA00449	WASHER SKM I 4	8
17	CFA00398	SETSCREW MI4X3O ZIP	8
18	CZH02210	IOMMLWASHERI5X3OXIO	2
19	CZD02166	4MM L WASHER I 4X45X4	2
20	CFA00249	WASHER SKM8	2
21	CFA00102	SETSCREW M8X25 ZIP	2
22	CFA00276	SETSCREW MI 2X30 FLD ZP	4
23	ADP00118	TOP MOTOR&VALVE ASY 998 CHAIN	1
<i>UP TO SERIAL NO. 250159</i>			
23	ADP00097	TOP MOTOR&VALVE ASY 998 GEAR	1
<i>SERIAL NO. 250160 TO 250235</i>			
23	REP00052	REPAIR KIT 998 MOTOR + BRAKE	1
<i>SERIAL NO. 250236 TO 250993</i>			
23	CMT00225	MOTOR 240CC TF 32 SHAFT	1
<i>FROM SERIAL NO. 250994</i>			
24	ADP00118	TOP MOTOR&VALVE ASY 998 CHAIN	1
<i>UP TO SERIAL NO. 250159</i>			
24	ADP00097	TOP MOTOR&VALVE ASY 998 GEAR	1
<i>SERIAL NO. 250160 TO 250235</i>			
24	CVA00153	VALVE ASY ARM ROTATION 998 03	1
<i>FROM SERIAL NO. 250236</i>			
25	CMH00756	BUSH I2X20X20	2
26	CFA00535	BOLTMI2X5OSOC	2
27	CEL00046	ASY SLIPRING 2 WAY BOTTOM	1
28	CEL00047	SLIPRING ROTARY CON 2 WAY	1
29	CEL00045	CON ASY SLIPRING 2 WAY TOP	1
30	CSE00117	SEAL O-RING I8X2 NBR 80	2
31	CFA00548	BOLT M8 X 70 SOC CAP ZP	4
32	CFA00132	NUT M8 NYLOC Z/P	2
33	CSE00111	SEALKITFORTESERIESMOTORS	1
34	CSE00101	SEAL KIT BRAKE UNIT BTM MODEL	1

No.	Part No	Description	Qty
-----	---------	-------------	-----

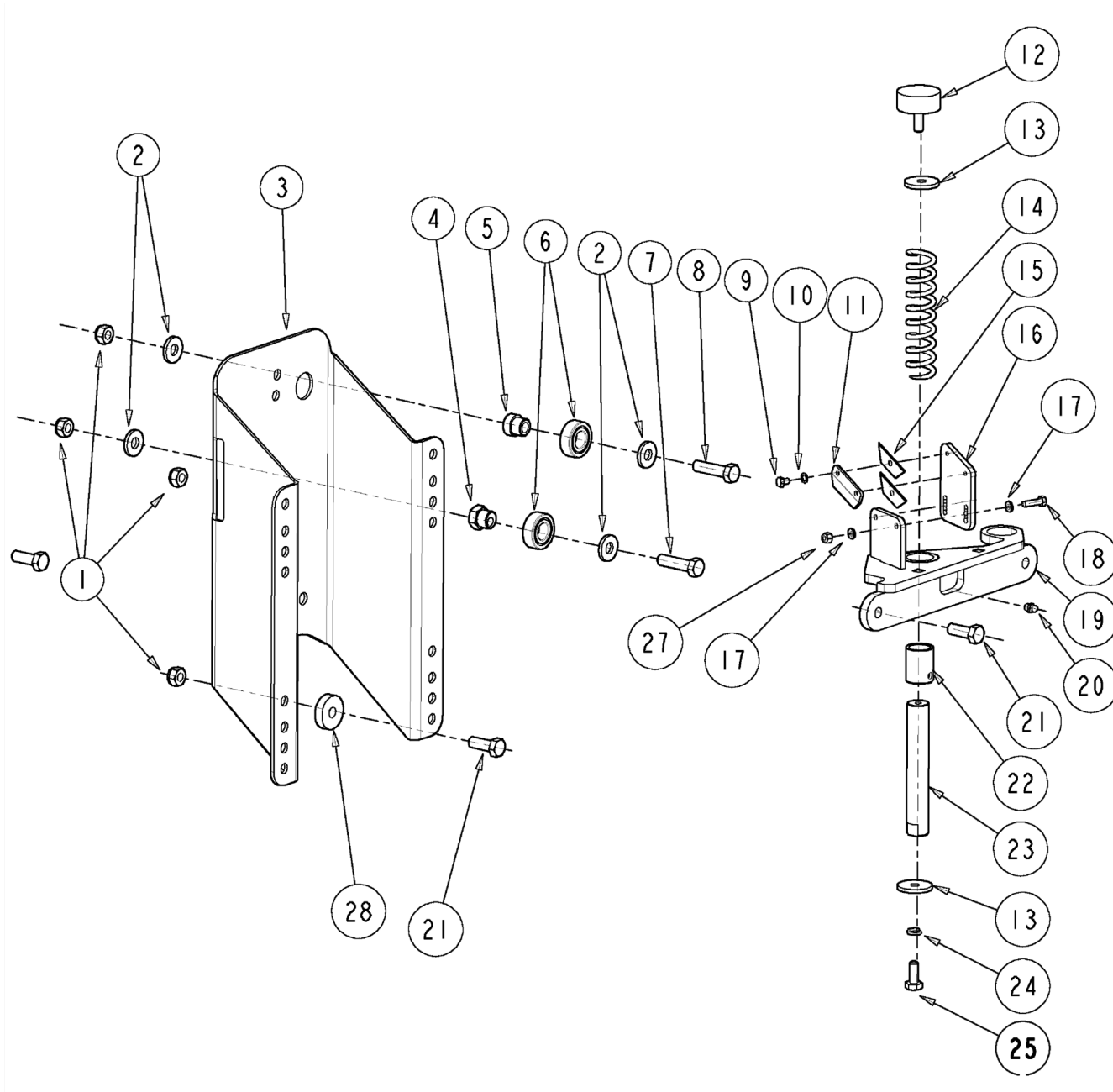
Dispenser (321)



No.	Part No	Description	Qty
0	ADP00086	DISPENSER ASSEMBLY COMPLETE	1
1	CEL00221	TRANSMITTER EVEN/GEAR COVER	1
1	CEL00222	TRANSMITTER ODD/GEAR COVER	1
1a	CZH02927	10MM L DISPENSER CAP SPACER	1
2	CFA00185	WASHER SPRING 8MM Z/P	2
3	CFA00102	SETSCREW M8x25 Z/P	2
4	CFA00124	NUT M12 NYLOC	3
5	CFA00139	WASHER FLAT 12MM HD Z/P	2
6	ADP00020	KIT DISPENSER GEARS 64%	1
64%			
6	ADP00019	KIT DISPENSER GEARS 55%	1
55%			
8	CFA00052	SETSCREW M8x20 Z/P	8
9	CBR00004	BEARING SLFL20	4
10	CFA00153	KEY 6x6x15	2
11	CFA00132	NUT M8 NYLOC Z/P	8
12	CZD00114	DISPENSER SPACER	2
13	CMH00034	ROLLER DISPENSER PRIMARY	1
14	CMH00035	ROLLER DISPENSER SECONDARY	1
15	CFA00024	SETSCREW M10x25 Z/P	1
16	CFA00137	WASHER SPRING 10MM HD Z/P	1
17	CZD00118	CUT AND TIE SPACER	1
18	CMH00619	PIN 30x280 STEPPED Z/P (750mm FILM)	1
18	CMH00661	PIN 30x535 STEPPED Z/P (500mm FILM)	1
19	ADP00040	DISPENSER FILM HOLDER ASSEMBLY	1
20	CSG00031	SPRING TOR. 6.35WDx480Dx7.8 COIL	2
21	CSG00010	SPRING COMP 1.625x16x40x8	1
22	CMH00197	PIN 16x84 STEPPED Z/P	1
22	CFA00208	GRUBSCREW M6x6 Z/P	1
23	CFA00010	ROLL PIN 8x50 Z/P	1
24	CBR00068	BEARING 30x34x16 STEPPED PLAS	2
25	CFA00135	WASHER FLAT Z/P	1
26	CSG00009	SPRING COMP 2.95x37x197x12	1
27	CZC00112	DISPENSER SPACER	1
28	CBR00009	BEARING 6205 2RS	4
29	CMH00087	COIL ROLLER (2 BEARING TYPE)	2
30	CFA00001	CIRCLIP 25MM EXTERNAL Z/P	2
31	CFA00032	SETSCREW M12x30 Z/P	1
32	CSG00013	SPRING EXT. 1.83x12x65x14.5	1
33	CZH02165	DISPENSER HANDLE PART	1
34	CBC00012	CAP PLASTIC HANDGRIP 7/8	1
35	CFA00242	CABLE ROLLER RELEASE 1095	1
36	ADP00051	DISPENSER MAIN FRAME	1

No.	Part No	Description	Qty
-----	---------	-------------	-----

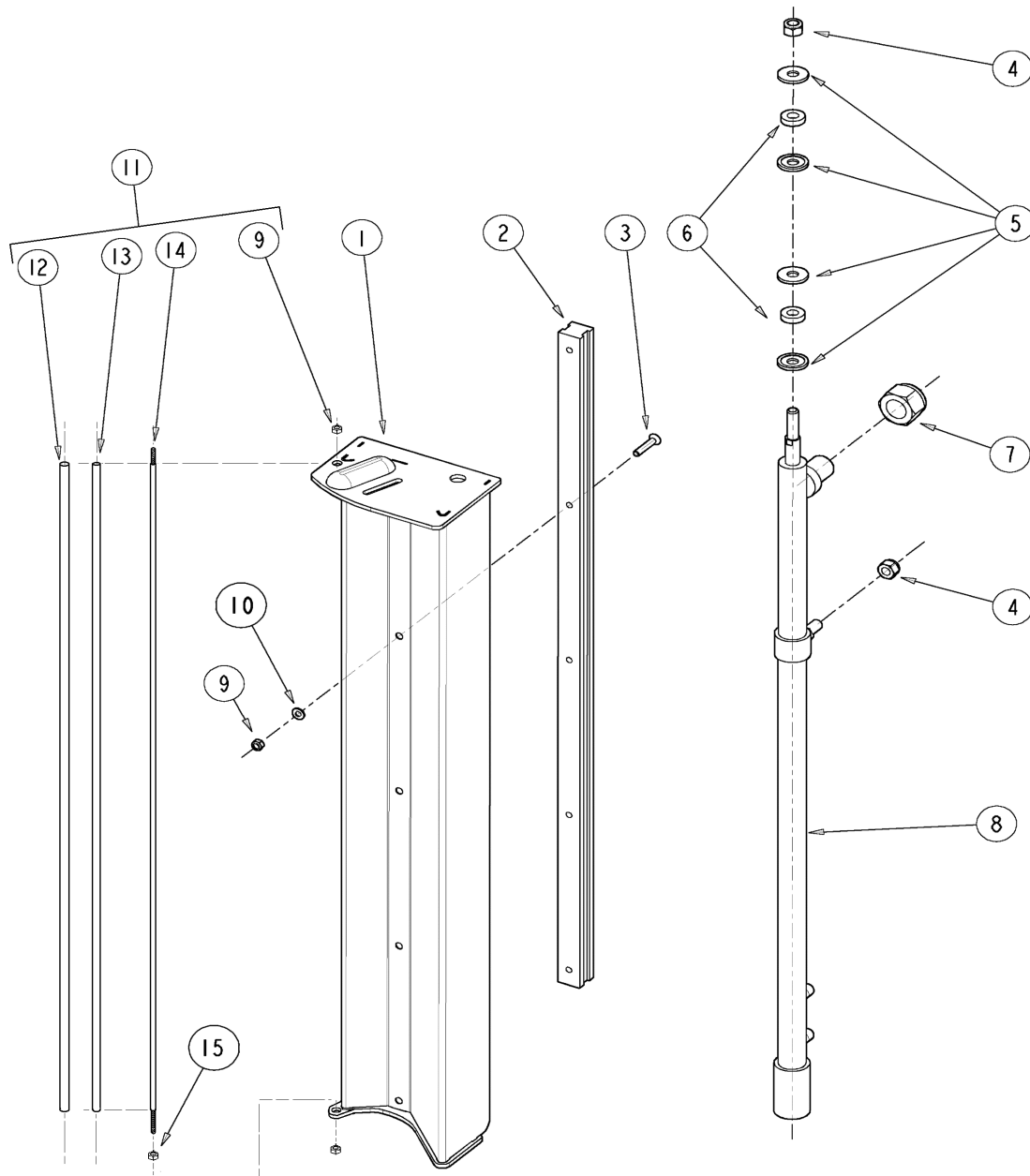
Cut & Hold back plate (322)



No.	Part No	Description	Qty
0	ACT00001	CUT & HOLD COMPLETE	0
1	CFA00124	NUT M12 NYLOC	9
2	CFA00139	WASHER 12MM FLAT (H/D)	6
3	CZD02055	BACKPLATE	1
4	CMH00262	ECCENTRIC BEARING HOLDER	1
5	CMH00261	CONCENTRIC BEARING HOLDER	2
6	CBR00020	BEARING 6204 2RS	3
7	CFA00270	SETSCREW M12x50 Z/P	1
8	CFA00272	BOLT M12x50 Z/P	2
9	CFA00269	SETSCREW M6x10 Z/P	2
10	CFA00268	WASHER 6MM SHAKEPROOF	2
11	CZC02012	KNIFE CLAMP	1
12	CBE00002	BUFFER RUBBER	1
13	CZD00118	WASHER 10x40x4	2
14	CSG00004	SPRING PLUNGER	1
15	CKN00011	KNIFE	2
16	CZF02121	KNIFE PLATE	1
17	CFA00144	WASHER 6MM FLAT	4
18	CFA00098	SETSCREW M6x25 Z/P	2
19	ACT00003	PLUNGER BRACKET	1
20	CFA00118	GREASE NIPPLE M8 STRAIGHT	1
21	CFA00032	SETSCREW M12x30 Z/P	4
22	CBR00016	BUSH OILITE	1
23	CMH00023	PLUNGER CHROME	1
24	CFA00137	WASHER 10MM SPRING	1
25	CFA00024	SETSCREW M10x25 Z/P	1
26	CFA00031	SETSCREW M12x25 Z/P	4
27	CFA00131	NUT M6 NYLOC	2
28	CZH02119	WASHER 12X40X10	2

No.	Part No	Description	Qty
-----	---------	-------------	-----

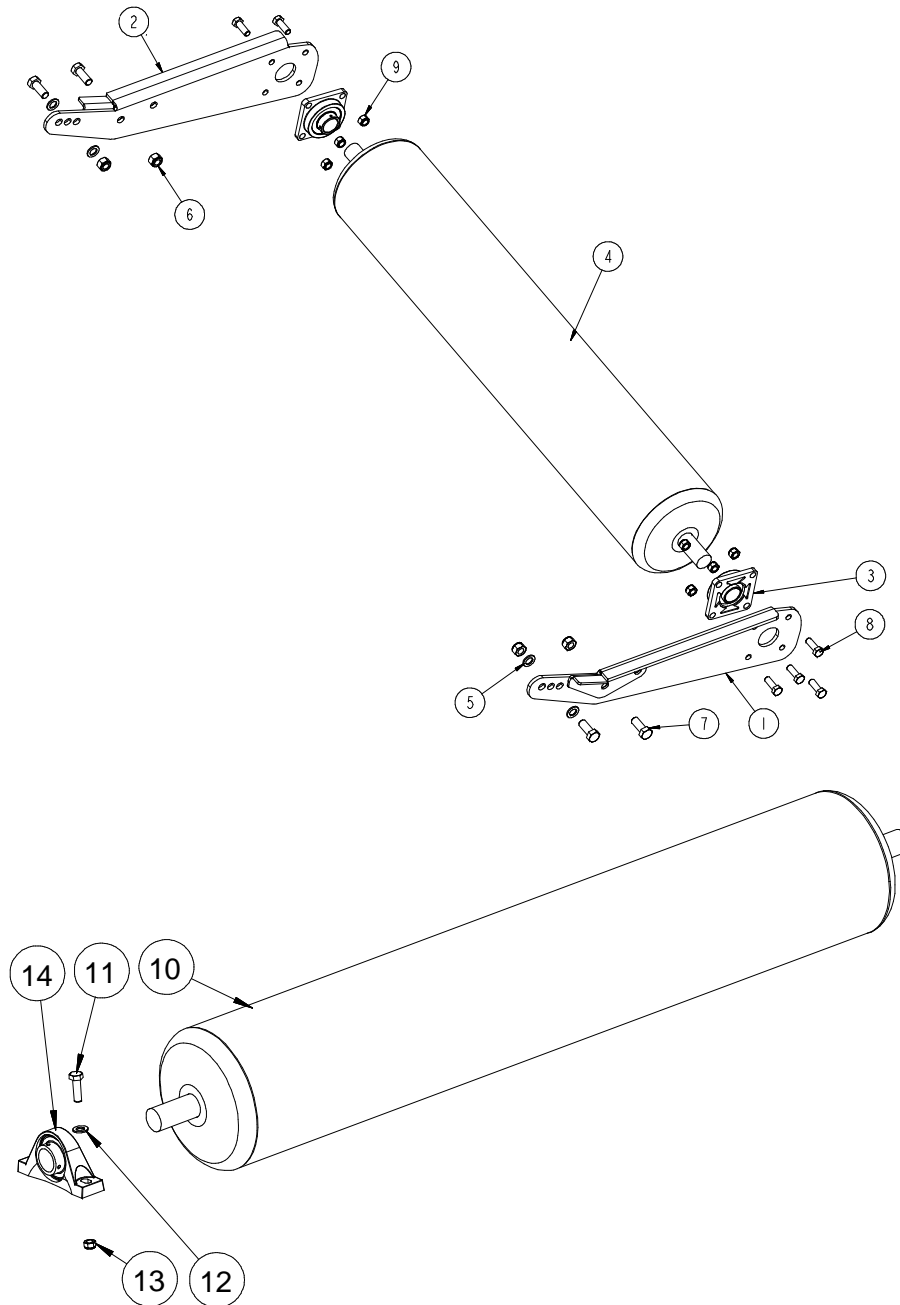
Cut & Hold slider (323)



No.	Part No	Description	Qty
1	ACT00002	SLIDER BARE (ALUM RAIL TYPE)	1
<i>FROM SERIAL NO. 90050</i>			
1	ACT00010	SLIDER (STEEL RAIL)	1
<i>UP TO SERIAL NO. 90049</i>			
2	CMH00260	RAIL (ALUMINIUM)	1
<i>FROM SERIAL NO. 90050</i>			
3	CFA00089	SETSCREW M8x45 CSK HEX Z/P	5
<i>FROM SERIAL NO. 90055</i>			
3	CFA00362	SETSCREW M8x40 CSK HEX SS	5
<i>UP TO SERIAL NO. 90054</i>			
4	CFA00126	NUT M14 NYLOC	2
5	CMH00330	WASHER RAM DISHED	4
6	CMH00331	WASHER RAM RUBBER	2
7	CFA00012	NUT 1 1/4 UNF NYLOC	1
8	CRA00074	CUT & HOLD CYLINDER COMPLETE	1
8	CSE00074	SEAL KIT CUT & HOLD CYLINDER	1
8	CRA00103	CYLINDER ROD (TOP)	1
8	CRA00104	CYLINDER ROD (BOTTOM)	1
8	CRA00105	CYLINDER GLAND (TOP)	1
8	CRA00106	CYLINDER GLAND (BOTTOM)	1
8	CRA00101	CYLINDER PISTON (TOP)	1
8	CRA00102	CYLINDER PISTON (BOTTOM)	1
9	CFA00132	NUT M8 NYLOC	7
<i>FROM SERIAL NO. 90055</i>			
10	CFA00147	WASHER 8MM FLAT	6
<i>FROM SERIAL NO. 90055</i>			
11	ALA00288	KIT - CUT & HOLD RAIL 998 ROD IRON	1
<i>KIT INCLUDES ITEMS 9, 12, 13, 14 & 15</i>			
12	CPL00109	TUBE 20.1X17.8X1050 PVC CONDUIT	1
13	CPL00110	TUBE 15X11X1070 PEXOB15	1
14	CMH01127	PIN 10X1140 THREAD EACH END	1
15	CFA00133	NUT M8	1

No.	Part No	Description	Qty
-----	---------	-------------	-----

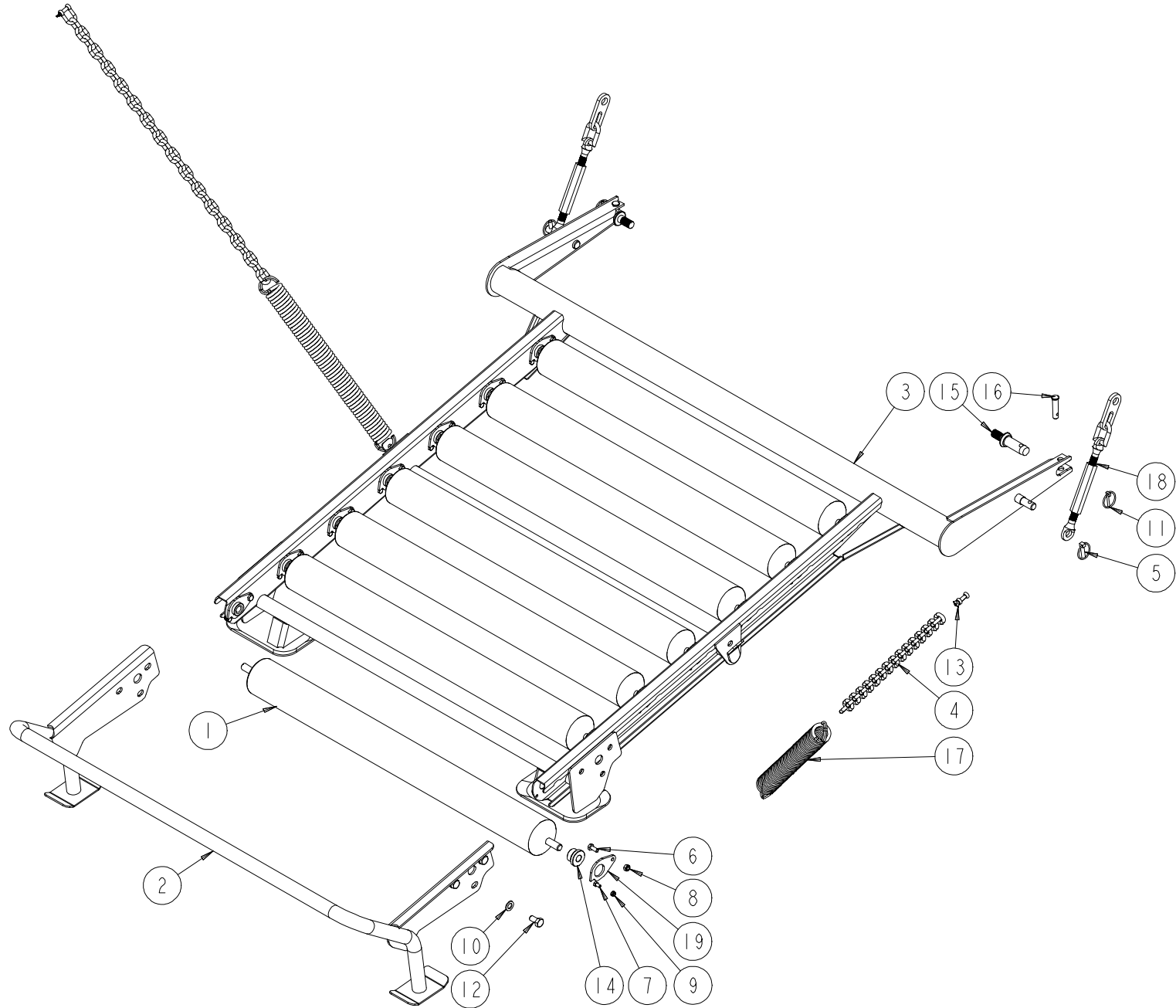
Unloading roller (324)



No.	Part No	Description	Qty
1	ABD00043	REAR ROLLER998	1
2	ABD00044	REAR ROLLER998	1
3	CBR00046	BEARING FLANGE UNIT SF1 3/4"	2
4	ART00003	UNLOADING ROLLER	1
5	CFA00413	WASHER FLAT 20MM Z/P	4
6	CFA00129	NUT M20 NYLOC	4
7	CFA00278	BOLT M20X50 Z/P	4
8	CFA00282	BOLT M16X45	8
9	CFA00128	NUT M16 NYLOC	8
10	ART00003	UNLOADING ROLLER	1
11	CFA00306	SETSCREW M14X45 ZP	4
12	CFA00222	WASHER FLAT 14MM ZP	4
13	CFA00126	NUT M14 NYLOC	4
14	CBR00005	BEARING PILLOW BLOCK NP13/4"	2

No.	Part No	Description	Qty
-----	---------	-------------	-----

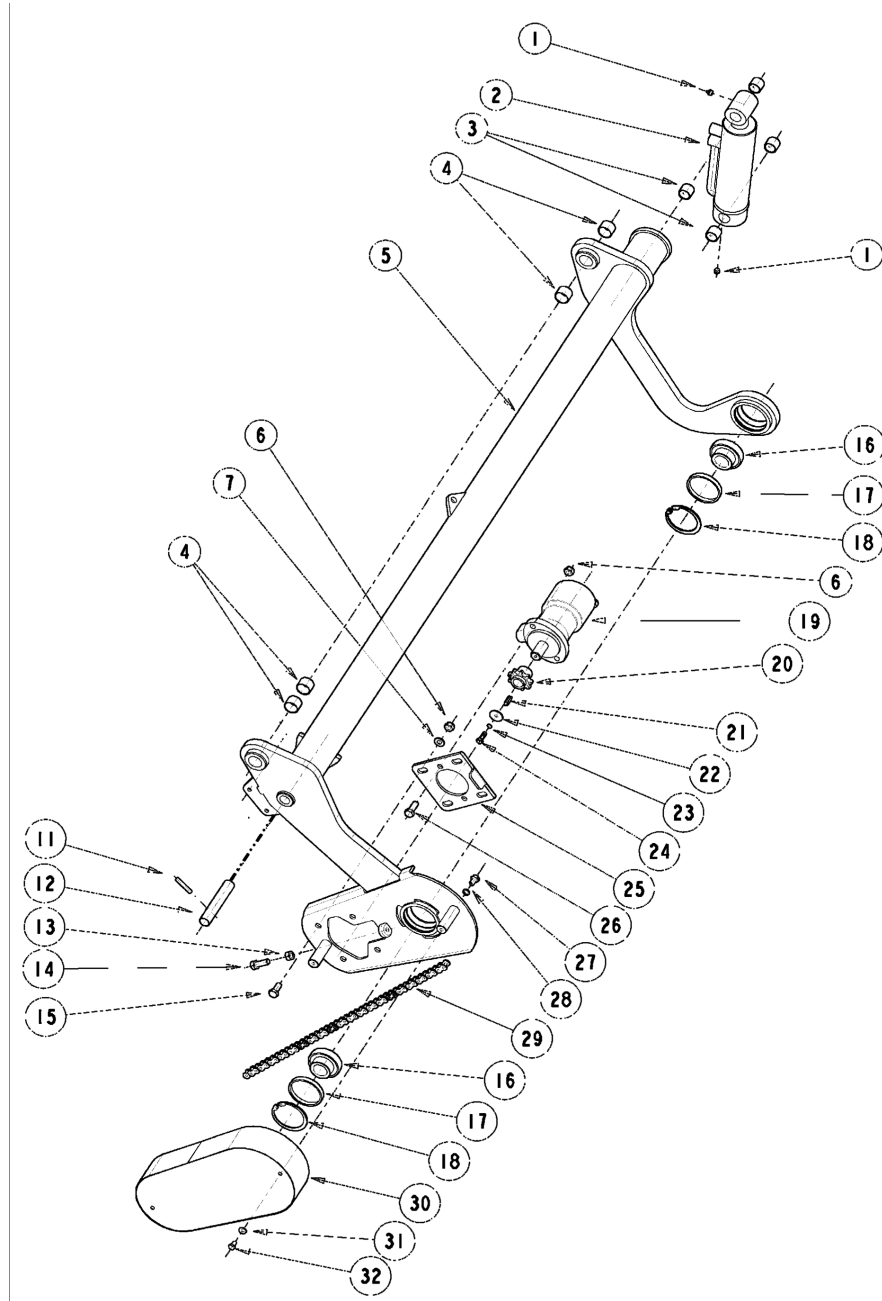
Unloading roller table (585)



No.	Part No	Description	Qty
0	ART00037	BALE UNLOADING ROLLER ASSEMBLY	1
1	ART00034	BACK UNLOADING ROLLER	7
2	ART00035	BACK UNLOADING ROLLER STOP ASSEMBLY	1
3	ART00036	BACK UNLOADING ROLLER FRAME	1
4	CCH02017	CHAIN 11/4" 10MM WIRE ZP	2
5	CFA00005	LINCH PIN 10MM	2
6	CFA00024	SETSCREW M10X25 Z/P	14
7	CFA00101	SETSCREW M8X16 Z/P	14
8	CFA00123	NUT M10 NYLOC	14
9	CFA00132	NUT M8 NYLOC Z/P	14
10	CFA00140	WASHER FLAT 16MM Z/P	6
11	CFA00202	LINCH PIN 6MM	2
12	CFA00399	SETSCREW M16X30 Z/P	6
13	CFA00457	D SHACKLE 0.375" GAL	2
14	CMH00380	BUSH 20X50X30 STEPPED	14
15	CMH00399	SPACER RING 995LM GEARBOX	2
16	CMH00400	PIN TOP LINK 16X76&7MM C.HOLE.	2
17	CSG00019	SPRING EXT 10X50.8X609.6X55	2
18	CTP00037	STABILISER ASSEMBLY 250 C/C	2
19	CZF05269	6MM L UNLOADING ROLLER BRACKET 998	14

No.	Part No	Description	Qty
-----	---------	-------------	-----

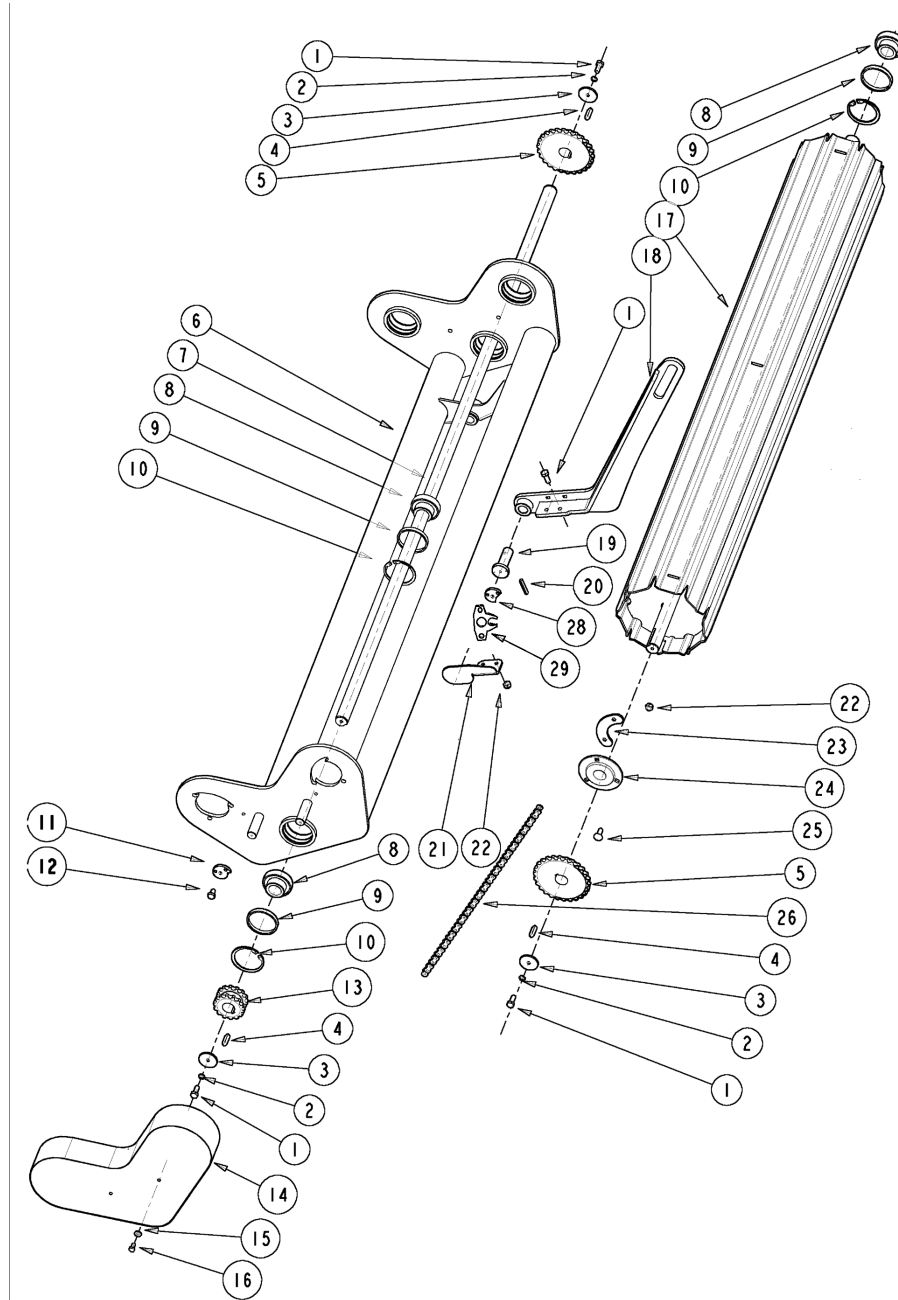
Cradle arm (325)



No.	Part No	Description	Qty
1	CFA00111	GREASE NIPPLE, M10 STRAIGHT	8
2	CRA00087	LIFT CYLINDER COMPLETE (80mm BORE)SLAVE	2
		<i>80mm BORE</i>	
2	CSE00087	SEAL KIT (80mm BORE)	2
		<i>80mm BORE</i>	
2	CRA00094	CYLINDER ROD (80mm BORE)	2
		<i>80mm BORE</i>	
2	CRA00095	CYLINDER GLAND (80mm BORE)	2
		<i>80mm BORE</i>	
2	CRA00093	CYLINDER PISTON (80mm BORE)	2
		<i>80mm BORE</i>	
2	CRA00086	LIFT CYLINDER COMPLETE (90mm BORE)MASTER	2
		<i>90mm BORE</i>	
2	CSE00086	SEAL KIT (90mm BORE)	2
		<i>90mm BORE</i>	
2	CRA00097	CYLINDER ROD (90mm BORE)	2
		<i>90mm BORE</i>	
2	CRA00098	CYLINDER GLAND (90mm BORE)	2
		<i>90mm BORE</i>	
2	CRA00096	CYLINDER PISTON (90mm BORE)	2
		<i>90mm BORE</i>	
3	CBR00039	BUSH, GLACIER 2525	16
4	CBR00007	BUSH, GLACIER 3025	8
5	ARC00006	CRADLE ARM, RIGHT	1
		<i>LH</i>	
5	ARC00007	CRADLE ARM, LEFT	1
		<i>RH</i>	
6	CFA00124	NUT, M12 NYLOC	12
7	CFA00138	WASHER, 12mm FLAT	8
11	CFA00010	ROLL PIN, 8x50 Z/P	4
12	CMH00276	PIN, TOP RAM PIVOT	4
13	CFA00125	NUT, M12 PLAIN Z/P	2
14	CFA00324	SETSCREW, M12x40 Z/P	2
15	CFA00032	SETSCREW, M12x30 Z/P	8
16	CBR00031	BEARING, 35mm INSERT	4
17	CMH00245	BEARING RETAINER	4
18	CFA00232	CIRCLIP	4
19	CMT00007	ROLLER DRIVE MOTOR	2
20	CMH00285	SPROCKET, 3/4" PITCH 9 TOOTH	2
		<i>UP TO SERIAL NO. 250993</i>	
20	CMH01367	SPROCKET, 3/4" PITCH 10 TOOTH	2
		<i>FROM SERIAL NO. 250994</i>	
21	CFA00359	KEY, 8x7x30	2
22	CFA00149	WASHER, 8mm MUDWING	2
23	CFA00185	WASHER, 8mm SPRING	2
24	CFA00102	SETSCREW, M8x25 Z/P	2
25	CZF02003	MOTOR PLATE	2
26	CFA00033	SETSCREW M12x35 Z/P	4
27	CFA00023	SETSCREW, M10x20 Z/P	2
28	CFA00137	WASHER, 10mm SPRING	2
29	CCH00007	CHAIN, 3/4" C/W JOINER LINK	2

No.	Part No	Description	Qty
29	CCH02002	JOINER LINK	2
		<i>JOINER LINK</i>	
29	CCH02003	OFFSET LINK	0
		<i>OFFSET LINK</i>	
30	CGD00015	CHAIN GUARD	2
31	CFA00249	WASHER, 8mm SKM	4
32	CFA00101	SETSCREW, M8x16 Z/P	4

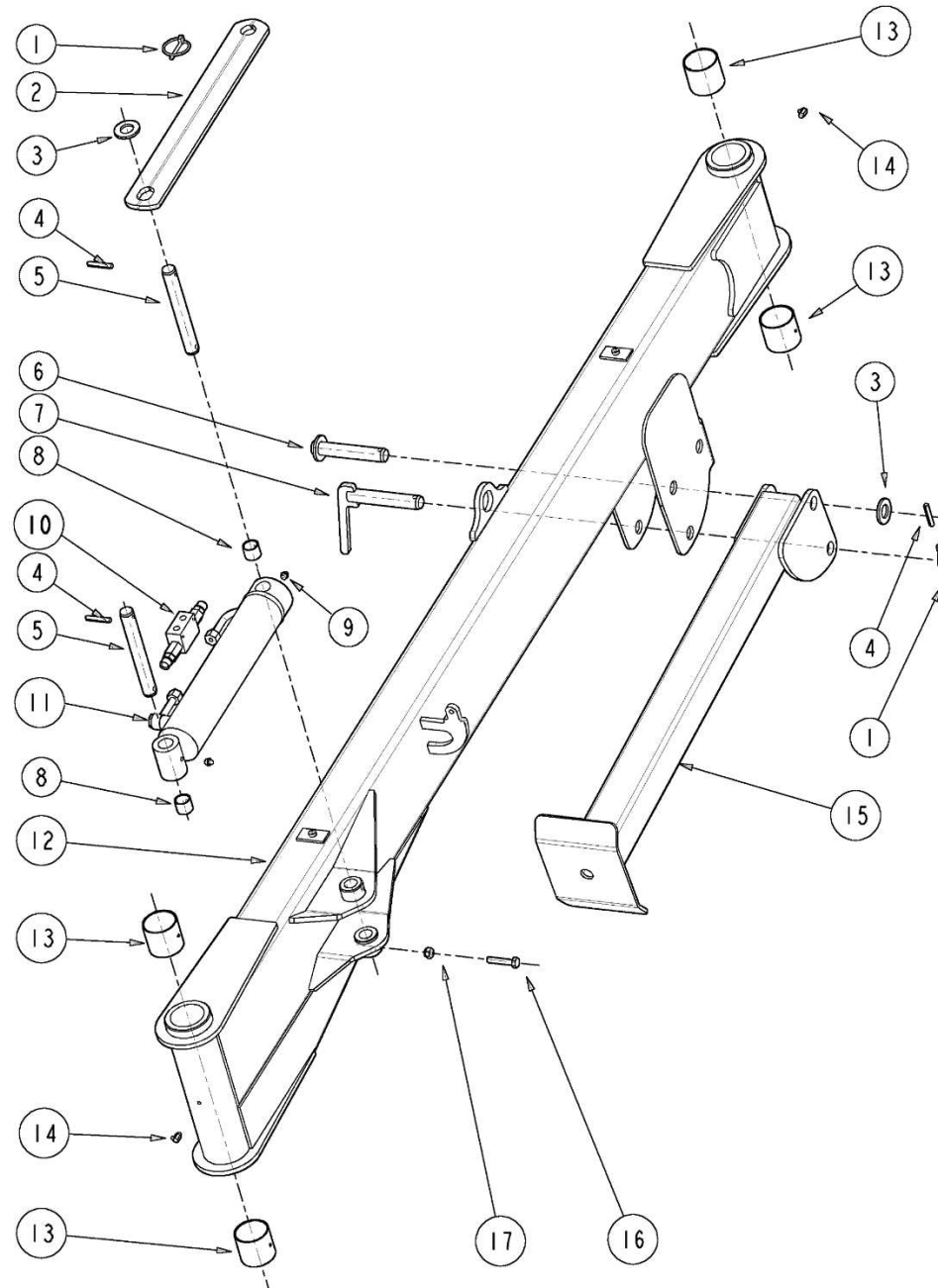
Rollers (327)



No.	Part No	Description	Qty
1	CFA00230	SETSCREW M10X30 Z/P	12
2	CFA00137	WASHER 10MM SPRING	8
3	CZD00121	WASHER 10X40X4	8
4	CFA00239	KEY 10X8X40	8
5	CMH00225	SPROCKET 3/4 PITCH 26 TOOTH	6
<i>UP TO SERIAL NO. 250194</i>			
5	CMH00437	SPROCKET 3/4 PITCH 22 TOOTH	6
<i>FROM SERIAL NO. 250195</i>			
6	ARC00001	ROLLER CRADLE RIGHT	1
<i>RH</i>			
6	ARC00002	ROLLER CRADLE LEFT	1
<i>LH</i>			
7	CMH00243	CRADLE PIVOT SHAFT	2
8	CBR00031	35MM BEARING INSERT	8
9	CMH00245	RETAINER RING	8
10	CFA00232	CIRCLIP	8
11	CZF02004	ADJUSTMENT CAM	4
<i>UP TO SERIAL NO. 250194</i>			
11	ARC00047	ADJUSTMENT CAM	4
<i>FROM SERIAL NO. 250195</i>			
12	CFA00023	SETSCREW M10X20 Z/P	4
13	CMH00227	SPROCKET 3/4 PITCH 15/15 T	2
<i>UP TO SERIAL NO. 250194</i>			
13	CMH00612	SPROCKET 3/4 PITCH 13/13 T	2
<i>FROM SERIAL NO. 250195</i>			
14	CGD00014	CHAIN GUARD	2
<i>UP TO SERIAL NO. 250194</i>			
14	CGD00030	CHAIN GUARD	2
<i>FROM SERIAL NO. 250195</i>			
15	CFA00249	WASHER SKM8	4
16	CFA00052	SETSCREW M8X20 Z/P	4
17	ARC00003	ROLLER (STEEL)	4
<i>UP TO SERIAL NO. 251537 (STEEL ROLLER)</i>			
17	CPL00023	ROLLER (PLASTIC)	4
<i>UP TO SERIAL NO. 251537 (PLASTIC ROLLER)</i>			
17	ARC00193	ROLLER STEEL 998	4
<i>FROM SERIAL NO. 251538 (STEEL ROLLER)</i>			
18	ARC00004	SLOTTED LINK RIGHT	1
<i>RH</i>			
19	ARC00005	SLOTTED LINK LEFT	1
<i>LH</i>			
19	CMH00230	SLOTTED LINK BOTTOM PIN	2
20	CFA00010	ROLL PIN 8X50 Z/P	2
21	CZD02095	PLATE GUARD SENSOR RHS 998	1
<i>RH</i>			
21	CZD04669	PLATE GUARD SENSOR LHS 998	1
<i>LH</i>			
22	CFA00123	NUT M10 NYLOC	14
23	CZD02001	SUPPORT PLATE	4
24	CBR00029	BEARING 35MM 3 BOLT STEEL	4
25	CFA00017	SETSCREW M10X30 CUPHEAD Z/P	12

No.	Part No	Description	Qty
26	CCH00008	CHAIN 3/4 PITCH C/W JOINER LINK	4
<i>UP TO SERIAL NO. 250194</i>			
27	CCH02002	JOINER LINK 3/4	4
<i>UP TO SERIAL NO. 250194</i>			
27	CCH02003	OFFSET LINK 3/4	0
<i>UP TO SERIAL NO. 250194</i>			
26	CCH02023	CHAIN 3/4 PITCH 41 LINK 60H	4
<i>FROM SERIAL NO. 250195</i>			
27	CCH02021	CHAIN LINK CONN 3/4 ANSI 60H	4
<i>FROM SERIAL NO. 250195</i>			
27	CCH02022	CHAIN LINK OFFSET 3/4 ANSI 60H	0
<i>FROM SERIAL NO. 250195</i>			
28	CZF02171	6MM L CAM ADJUSTMENT	2
<i>FROM SERIAL NO. 251188</i>			
28a	CFA00832	BOLT M4X16 Z/P 8.8	4
<i>FROM SERIAL NO. 251188</i>			
29	CZC04640	3MM ANGLE SENSOR BRACKET Z/P	2
<i>FROM SERIAL NO. 251188</i>			
29a	CFA02272	SETSCREW M4X10 SOC CAP SS	6
<i>FROM SERIAL NO. 251188</i>			
29b	CFA00083	WASHER FLAT 4MM ZP	4
<i>FROM SERIAL NO. 251188</i>			
29c	CFA00082	WASHER 4MM SHAKEPROOF	4
<i>FROM SERIAL NO. 251188</i>			
29d	CEL00785	ANGLE SENSOR 120DEG 0.5-4.5VOLT	2
<i>FROM SERIAL NO. 251188</i>			
29	KST00059	998 CRADLE SENSOR UPGRADE KIT	1
<i>UP TO SERIAL NO.251187</i>			

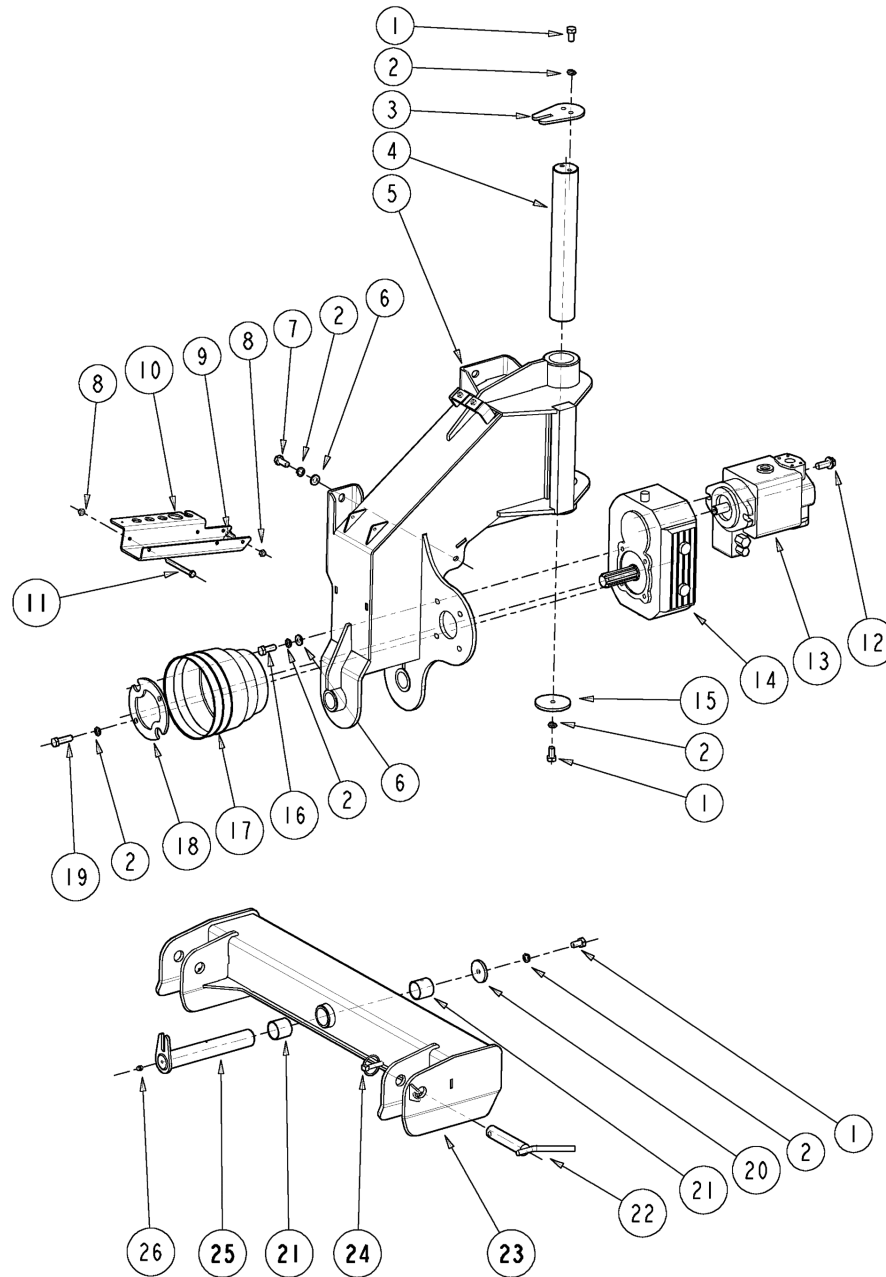
Drawbar (328)



No.	Part No	Description	Qty
1	CFA00202	LINCH PIN, SMALL	2
2	ADB00012	DRAWBAR SAFETY BAR	1
3	CFA00135	WASHER, 1" FLAT	2
4	CFA00010	ROLL PIN, 8x50 Z/P	4
5	CMH00071	PIN, RAM PIVOT	2
<i>ONE ON EACH END OF ITEM 11 (CRA00079)</i>			
6	ADB00009	STAND PIVOT PIN	1
7	ADB00010	STAND LOCKING PIN	1
8	CBR00039	BUSH, GLACIER 2525	4
9	CFA00111	GREASE NIPPLE M10 STRAIGHT	2
10	CVA00040	DRAWBAR CYLINDER VALVE	1
11	CRA00079	DRAWBAR CYLINDER COMPLETE	1
11	CSE00073	SEAL KIT	1
11	CRA00099	CYLINDER ROD	1
11	CRA00092	CYLINDER GLAND	1
11	CRA00090	CYLINDER PISTON	1
12	ADB00007	DRAWBAR BEAM	1
13	CBR00019	BUSH, GLACIER 6060	4
14	CFA00062	GREASE NIPPLE, M8 90	2
15	ADB00008	STAND	1
16	CFA00027	BOLT, M10X60 Z/P	1
17	CFA00123	NUT, M10 NYLOC	1

No.	Part No	Description	Qty
-----	---------	-------------	-----

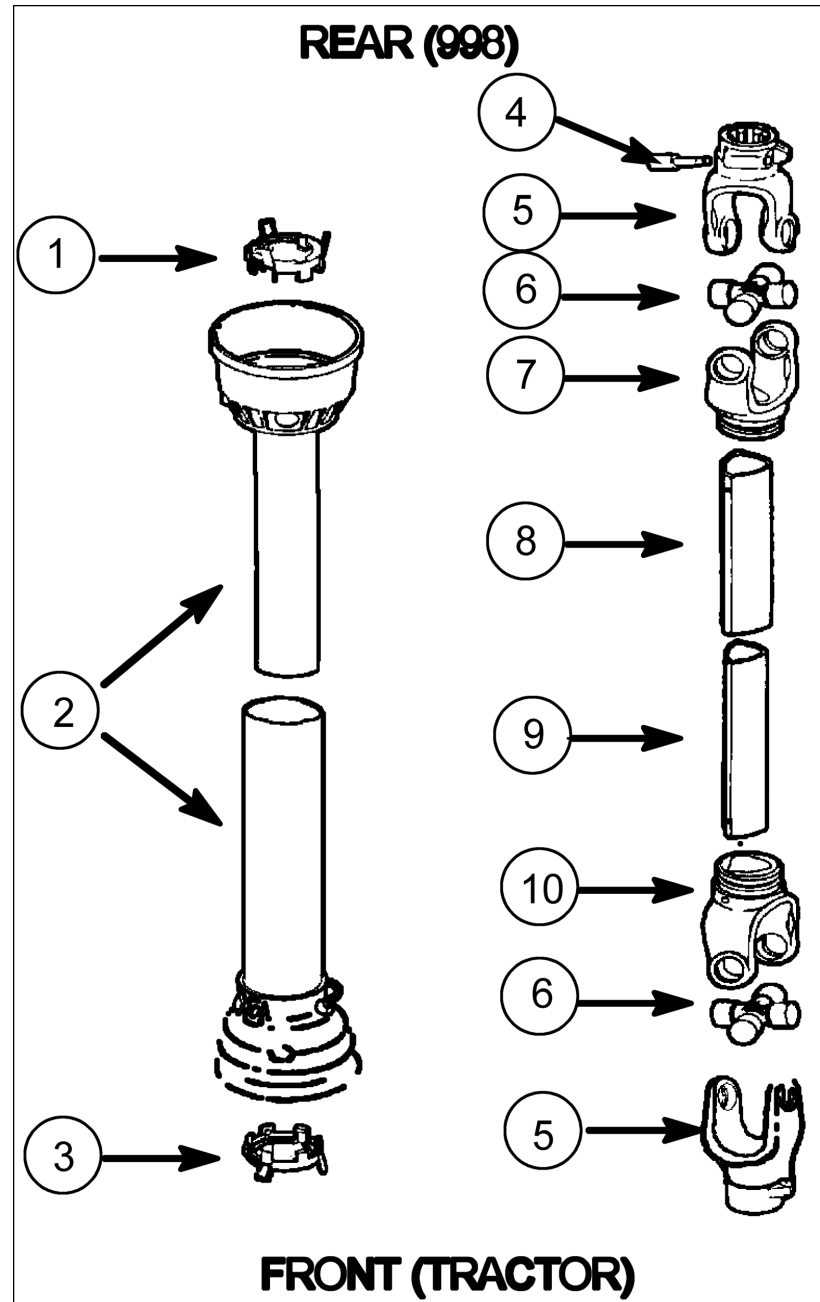
Headstock (329)



No.	Part No	Description	Qty
1	CFA00031	SETSCREW, M12x25 Z/P	4
2	CFA00207	WASHER, 12MM SPRING	10
3	CZF02104	PIVOT PIN TOP CAP	1
4	CMH00067	PIVOT PIN (SHORT)	1
5	ADB00004	HEADSTOCK BARE	1
6	CFA00138	WASHER, 12MM FLAT	4
7	CFA00032	SETSCREW, M12x30 Z/P	2
8	CFA00132	NUT, M8 NYLOC	4
9	CFA00052	SETSCREW, M8x20 Z/P	2
10	ADB00121	HOSE TRAY	1
11	CFA00226	BOLT, M8x100 Z/P	2
12	CFA00275	SETSCREW, M14x35 FLANGED Z/P	2
13	CMT00011	PUMP LOAD SENSING	1
<i>UP TO SERIAL NO 251419</i>			
13	CMT00351	PUMP 998 PISTON EATON	1
<i>FROM SERIAL NO 251420</i>			
14	CMT00012	GEARBOX	1
15	CZF02105	WASHER 12x85x6	1
16	CFA00033	SETSCREW, M12x35 Z/P	2
17	CMT00009	PTO COVER	1
18	CZF02062	PTO COVER RING	1
19	CFA00065	SETSCREW, M12x45 Z/P	2
20	CZF02106	WASHER 12x55x6	1
21	CBR00018	BUSH, GLACIER 4040	2
22	CMH00025	CAT. 2 LOWER LINK PIN	2
23	ADB00005	HITCH BAR	1
24	CFA00005	LINCH PIN, LARGE	2
25	ADB00006	HORIZONTAL PIVOT PIN	1
26	CFA00118	GREASE NIPPLE, M8 STRAIGHT	1

No.	Part No	Description	Qty
-----	---------	-------------	-----

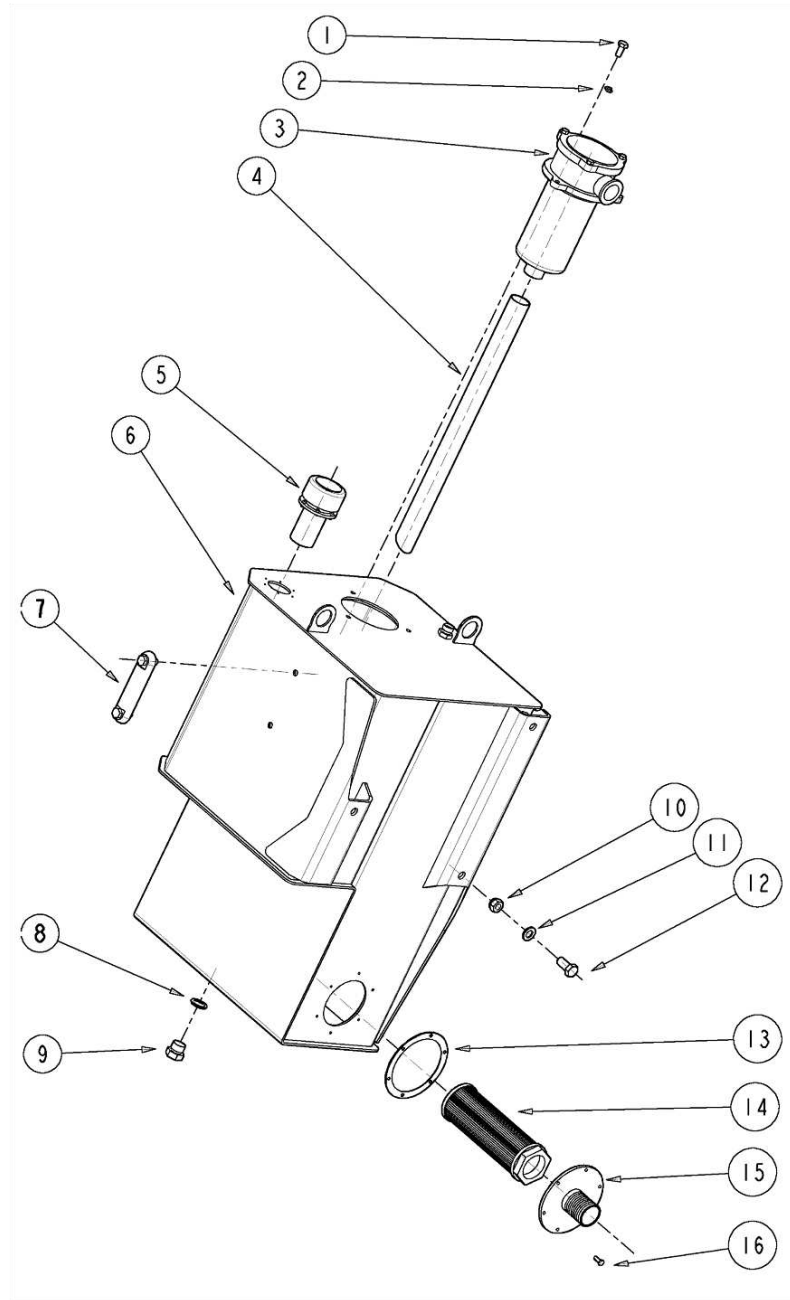
PTO shaft (330)



No.	Part No	Description	Qty
	CMT00008	PTO SHAFT COMPLETE	1
1	CMT00020	PLASTIC BEARING RING, LARGE INSIDE	1
2	CMT00019	COVER COMPLETE	1
3	CMT00021	PLASTIC BEARING RING, SMALL INSIDE	1
4	CMT00024	QUICK RELEASE BUTTON KIT	2
5	CMT00025	OUTER YOKE (6 SPLINE)	2
		6 SPLINE	
5	CMT00026	OUTER YOKE (21 SPLINE) OPTION	1
		21 SPLINE	
6	CMT00027	UNIVERSAL JOINT	2
7	CMT00028	INNER YOKE, LARGE PROFILE TUBE	1
8	CMT00029	LARGE PROFILE TUBE	1
9	CMT00030	SMALL PROFILE TUBE	1
10	CMT00031	INNER YOKE, SMALL PROFILE TUBE	1

No.	Part No	Description	Qty
-----	---------	-------------	-----

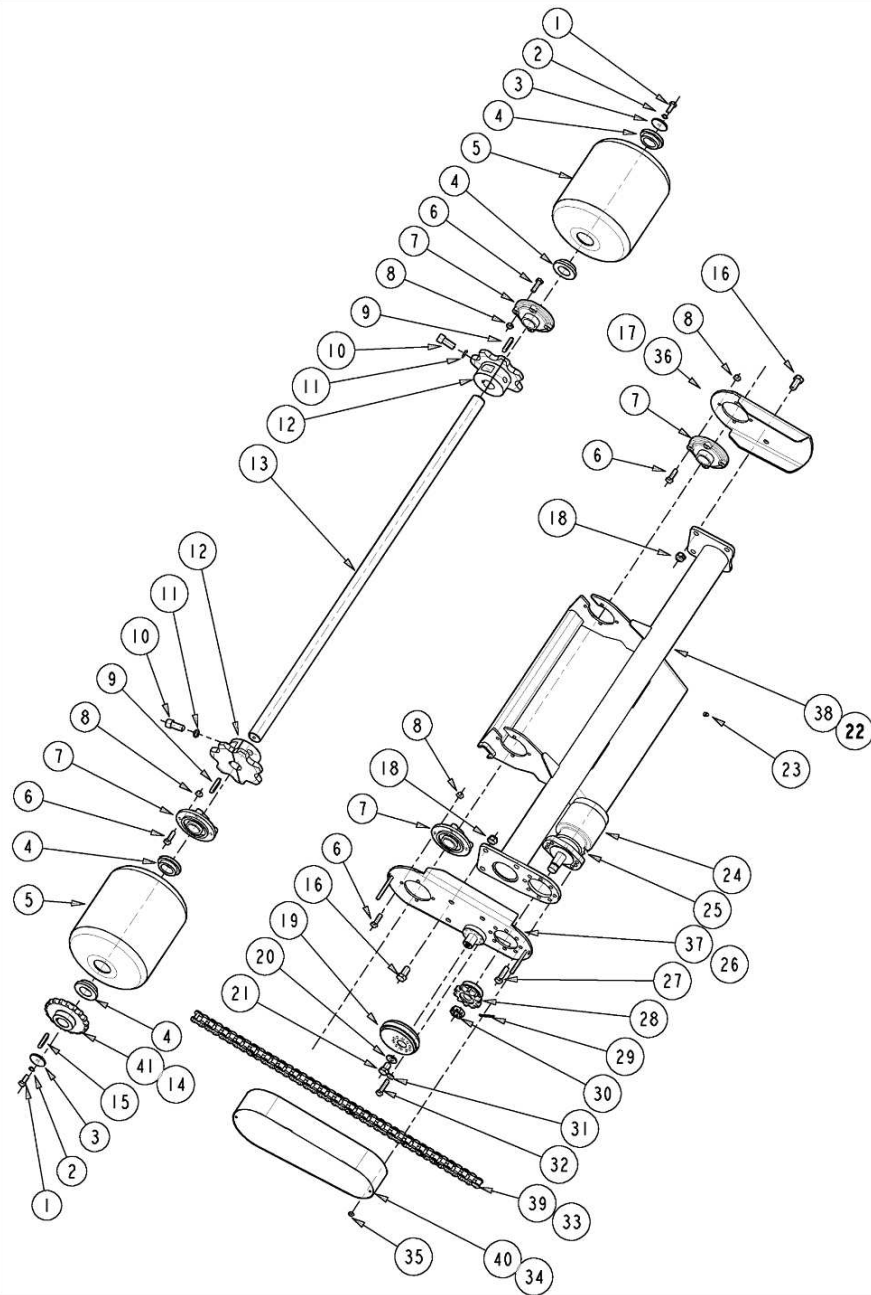
Hydraulic tank (331)



No.	Part No	Description	Qty
1	CFA00024	SETSCREW M10x25 Z/P	3
2	CFA00137	WASHER 10MM SPRING	3
3	CHY00029	RETURN FILTER COMPLETE	1
3	CHY00030	RETURN FILTER ELEMENT	1
3	CHY00045	RETURN FILTER CARTRIDGE (98)	1
3a	CSE00028	SEAL KIT 998 TANK FILTER CHY00029	1
<i>O-RINGS FOR FILTER</i>			
4	CPL00029	INTERNAL RETURN PIPE	1
5	CHY00028	FILLER CAP	1
6	ADB00002	HYDRAULIC TANK BARE	1
7	CHY00027	OIL LEVEL GAUGE	1
8	CHY02012	WASHER 3/4 DOWTY	1
9	CHY02011	DRAIN BUNG	1
10	CFA00128	NUT M16 NYLOC	3
11	CFA00140	WASHER 16MM FLAT	3
12	CFA00229	SETSCREW M16x35 Z/P	3
13	CSE00006	OUTLET PLATE GASKET	1
14	CHY00031	SUCTION STRAINER	1
15	ADB00003	OUTLET PLATE, FLAT	1
<i>FLAT</i>			
15	ADB00015	OUTLET PLATE STEPPED	1
<i>STEPPED</i>			
16	CFA00267	SETSCREW M6x25 Z/P	6
17	CHY00058	SUCTION PIPE 50mm	1
<i>SUCTION PIPE ASSEMBLY FOR PUMP</i>			
18	CHY00059	PIPE CLIP	2
<i>SUCTION PIPE ASSEMBLY FOR PUMP</i>			
19	CMH00328	PUMP SUCTION FLANGE	1
<i>SUCTION PIPE ASSEMBLY FOR PUMP</i>			
20	CHY00061	O RING	1
<i>SUCTION PIPE ASSEMBLY FOR PUMP</i>			
21	CHY00060	FLANGE CLAMP	1
<i>SUCTION PIPE ASSEMBLY FOR PUMP</i>			
22	CFA00207	WASHER 12mm SPRING	4
<i>SUCTION PIPE ASSEMBLY FOR PUMP</i>			
23	CFA00033	SETSCREW M12x35 Z/P	4
<i>SUCTION PIPE ASSEMBLY FOR PUMP</i>			

No.	Part No	Description	Qty
-----	---------	-------------	-----

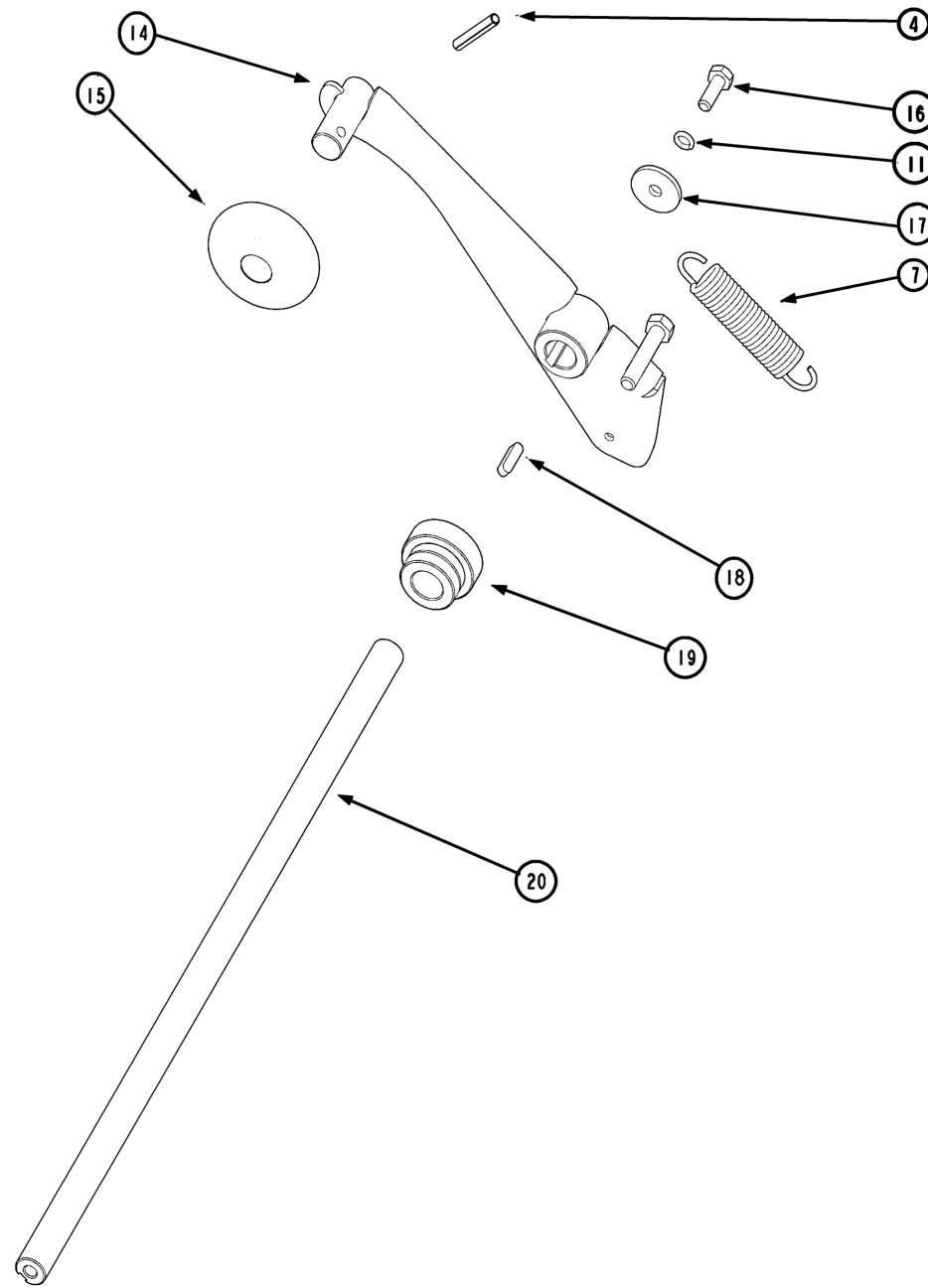
Main conveyor main drive (332)



No.	Part No	Description	Qty
1	CFA00230	SETSCREW, M10x30 Z/P	2
2	CFA00137	WASHER, 10mm SPRING	2
3	CZD00121	WASHER, 10x50x4	2
4	CMH00320	ROLLER BUSH (PLASTIC)	4
5	ACN00001	ROLLER	2
6	CFA00312	SETSCREW, M10x40 Z/P	16
7	CBR00033	BEARING, 40MM 4 BOLT STEP FLANGE	4
8	CFA00123	NUT, M10 NYLOC	16
9	CFA00358	KEY, 10x8x70	2
10	CFA00247	SETSCREW, M16x40 SOCKET CAP	4
11	CFA00142	WASHER, 16mm SPRING	4
12	CMH00231	SPROCKET, 75mm PITCH 7 TOOTH	2
13	CMH00311	MAIN CONVEYOR REAR SHAFT	1
14	CMH00226	SPROCKET, 1" PITCH 20 TOOTH	0
<i>UP TO SERIAL NO. 90055</i>			
15	CFA00263	KEY, 10x8x55	1
16	CFA00229	SETSCREW M16x35 Z/P	6
17	CZF02052	SIDEPLATE, RIGHT	1
<i>UP TO SERIAL NO. 90055</i>			
18	CFA00128	NUT, M16 NYLOC	6
19	CMH00317	CHAIN ADJUSTER (PLASTIC)	1
20	CFA00252	WASHER, 16mm SKM	1
21	CFA00325	SETSCREW, M16x25 Z/P	1
22	ACN00002	FRAME	1
<i>UP TO SERIAL NO. 90055</i>			
23	CFA00118	GREASE NIPPLE, M8 STRAIGHT	2
24	CMT00006	CONVEYOR DRIVE MOTOR	1
24a	CSE00093	SEAL KIT FOR WHITE HYD MOTOR	1
<i>FOR WHITE HYD MOTOR ONLY</i>			
24b	CSE00110	SEAL KIT TG+TF PARKER HYD MTR	1
<i>FOR PARKER HYD MOTOR ONLY</i>			
25	CFA00124	NUT, M12 NYLOC	4
26	ACN00003	SIDEPLATE, LEFT	1
<i>UP TO SERIAL NO. 90055</i>			
27	CFA00356	BOLT, M12x50 Z/P	4
28	CMH00177	SPROCKET, 1" PITCH 10 TOOTH	1
29	CFA00360	SPLITPIN	1
30	CFA00361	MOTOR NUT	1
31	CFA00251	WASHER, 10mm SKM	1
32	CFA00310	BOLT, M10x50 Z/P	1
33	CCH00009	CHAIN, 1" C/W JOINER LINK 39 LINK	1
<i>FROM SERIAL NO. 249995</i>			
33	CCH00001	JOINER LINK	0
33	CCH00004	OFFSET LINK	0
34	CGD00013	CHAIN GUARD	1
<i>UP TO SERIAL NO. 90055</i>			
35	CFA00132	NUT, M8 NYLOC	2
36	CZF02219	SIDEPLATE, RIGHT	1
<i>FROM SERIAL NO. 249995</i>			
37	ACN00013	SIDEPLATE, LEFT	1
<i>FROM SERIAL NO. 249995</i>			

No.	Part No	Description	Qty
38	ACN00014	FRAME	1
<i>FROM SERIAL NO. 249995</i>			
39	CCH00025	CHAIN, 1" C/W JOINER LINK 41 LINK	1
<i>UP TO SERIAL NO. 90055</i>			
40	CGD00016	CHAIN GUARD	1
<i>FROM SERIAL NO. 249995</i>			
41	CMH00089	SPROCKET, 1" PITCH 18 TOOTH	1
<i>FROM SERIAL NO. 249995</i>			

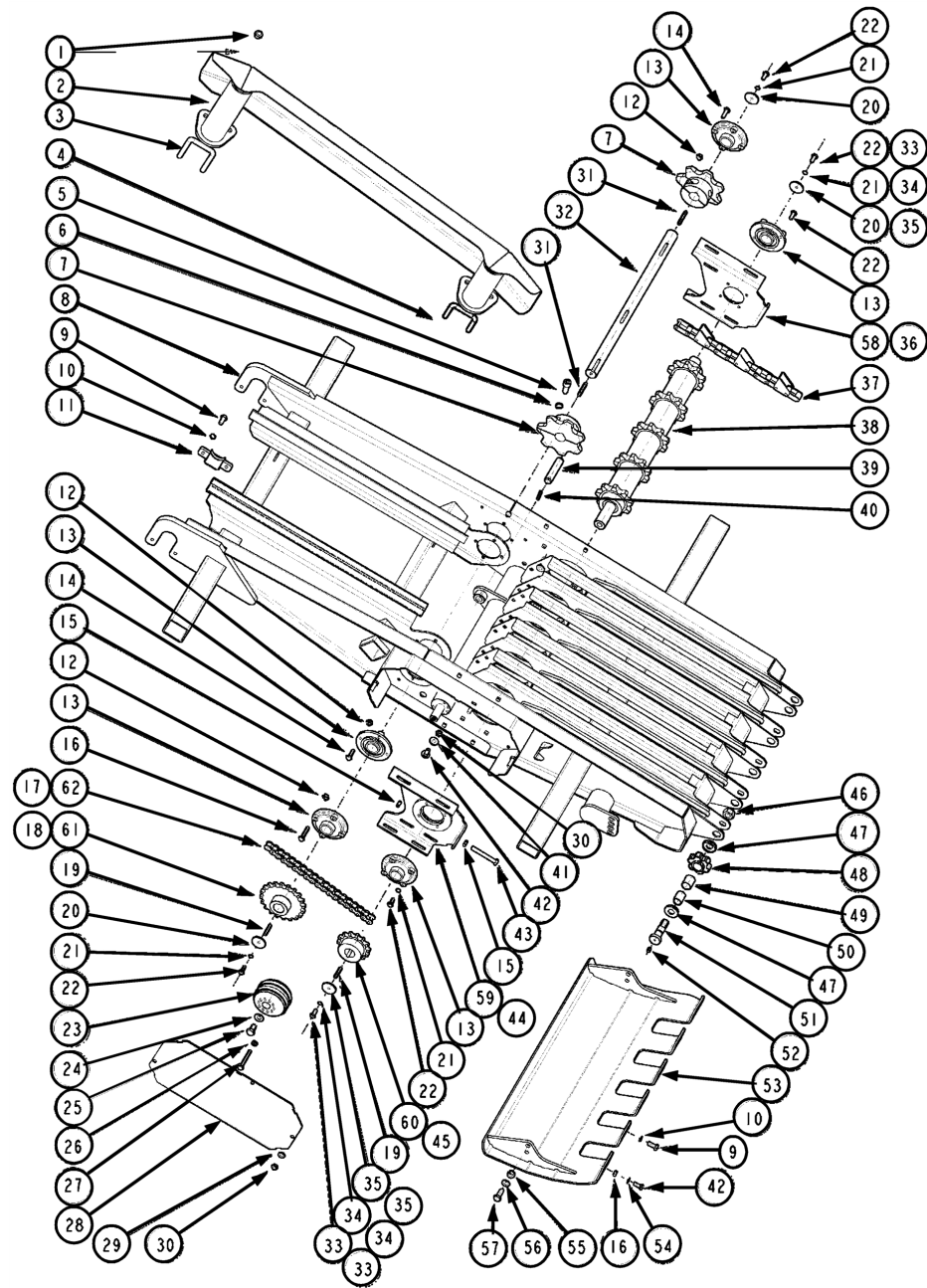
Bale position sensor arms (334)



No.	Part No	Description	Qty
4	CFA00010	ROLL PIN, 8x50 Z/P	2
7	CSG00011	TENSION SPRING	2
11	CFA00137	WASHER, 10MM SPRING	4
14	ACH00054	SENSOR ARM, RIGHT	1
<i>FROM SERIAL NO. 249995 RH</i>			
14	ACH00055	SENSOR ARM, LEFT	1
<i>FROM SERIAL NO. 249996 LH</i>			
15	CMH00105	ROLLER	2
<i>FROM SERIAL NO. 249997</i>			
16	CFA00230	SETSCREW, M10x30 Z/P	2
<i>FROM SERIAL NO. 249998</i>			
17	CZD00121	WASHER, 10x40x4	2
<i>FROM SERIAL NO. 249999</i>			
18	CFA00359	KEY, 8x7x30	2
<i>FROM SERIAL NO. 250000</i>			
19	CMH00106	PLASTIC BUSH	2
<i>FROM SERIAL NO. 250001</i>			
20	CMH00073	BALE SENSOR ARM SHAFT	1
<i>FROM SERIAL NO. 250002</i>			

No.	Part No	Description	Qty
-----	---------	-------------	-----

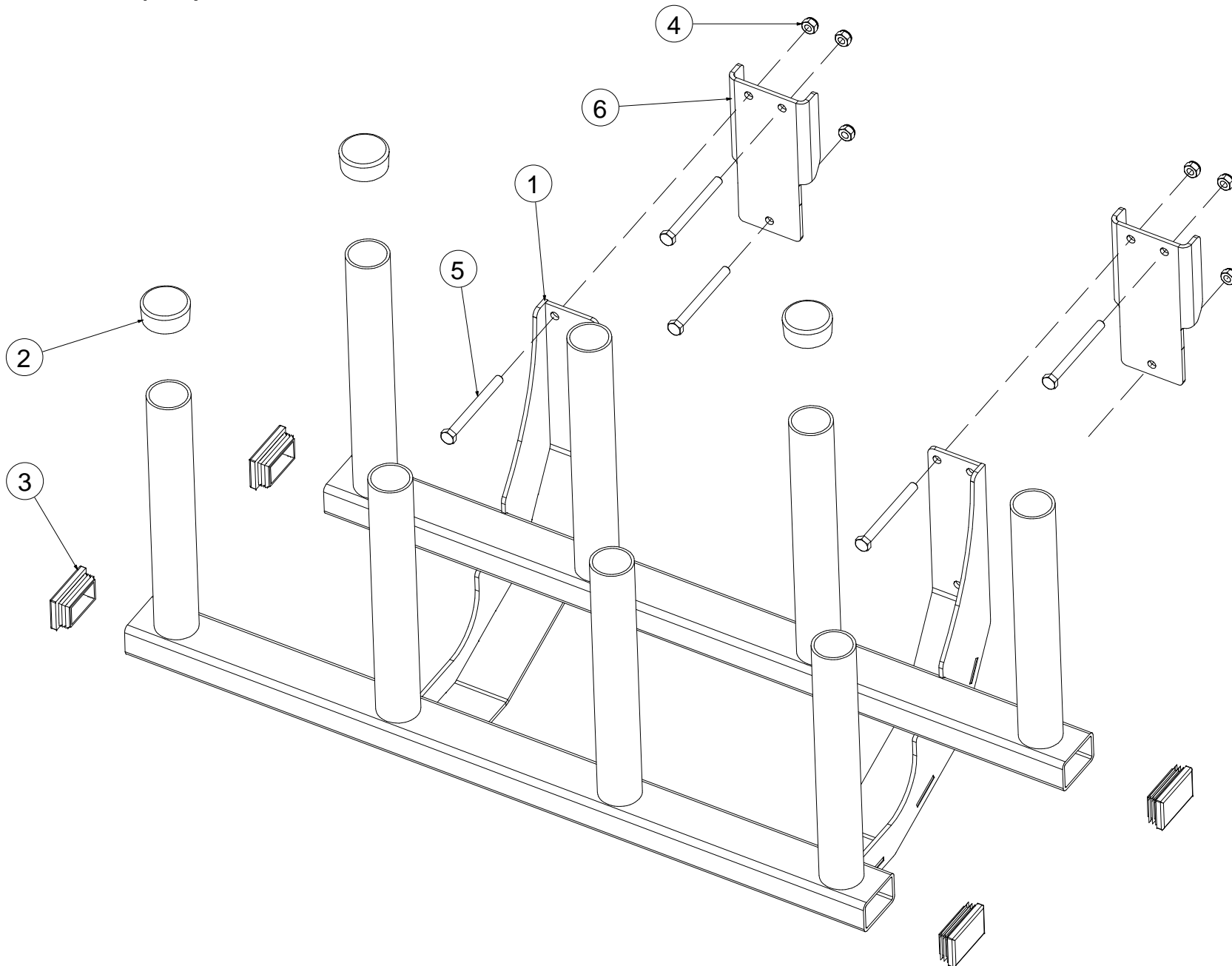
Front conveyor (335)



No.	Part No	Description	Qty
1	CFA00128	NUT, M16 NYLOC	8
2	ACN00004	BALE GUIDE, RH	1
2	ACN00005	BALE GUIDE, LH	1
3	CFA00039	U BOLT, 80x80	2
4	CFA00200	U BOLT, 80x50	2
5	CFA00151	SETSCREW, M16x40 Z/P	4
6	CFA00142	WASHER, 16mm SPRING	4
7	CMH00231	SPROCKET, 75mm PITCH 7 TOOTH	2
8	ACN00006	CONVEYOR, BARE	1
8	ACN00007	CONVEYOR, COMPLETE	1
9	CFA00032	SETSCREW, M12x30 Z/P	9
10	CFA00207	WASHER, 12mm SPRING	9
11	ACN00008	LATCH CLOSER	2
12	CFA00123	NUT, M10 NYLOC	16
13	CBR00033	BEARING, 40mm 4 BOLT STEP FLANGE	5
14	CFA00312	SETSCREW, M10x40 Z/P	8
15	CFA00125	NUT, M12 PLAIN Z/P	2
16	CFA00027	BOLT, M10x60 Z/P	4
17	CCH00013	CHAIN, 1" DUPLEX & JOINER LINK	1
<i>UP TO SERIAL NO. 90055</i>			
17	CCH02006	1" DUPLEX JOINER LINK	0
<i>UP TO SERIAL NO. 90055</i>			
17	CCH02007	1" DUPLEX OFFSET LINK	0
<i>UP TO SERIAL NO. 90055</i>			
18	CMH00309	SPROCKET, 1" DUPLEX 20 TOOTH	0
<i>NLS (61)</i>			
19	CFA00263	KEY, 10x8x55	2
20	CZD00121	WASHER, 10x50x4	4
21	CFA00137	WASHER, 10mm SPRING	12
22	CFA00230	SETSCREW, M10x30 Z/P	12
23	CMH00314	CHAIN ADJUSTER DUPLEX (PLASTIC)	1
24	CFA00252	WASHER, 16mm SKM	1
25	CFA00325	SETSCREW M16x25 Z/P	1
26	CFA00251	WASHER, 10mm SKM	1
27	CFA00284	BOLT, M10x90 Z/P	1
28	CZD02091	CHAIN GUARD	1
29	CFA00138	WASHER, 12mm FLAT	3
30	CFA00124	NUT, M12 NYLOC	17
31	CFA00358	KEY, 10x8x70	2
32	CMH00313	MAIN CONVEYOR FRONT SHAFT	1
33	CFA00246	SETSCREW, M20x40 FINE	2
<i>UP TO SERIAL NO. 249998</i>			
34	CFA00329	WASHER, 20mm SPRING	2
<i>UP TO SERIAL NO. 249998</i>			
35	CZF02169	WASHER, 20x50x6	2
<i>UP TO SERIAL NO. 249998</i>			
36	ACN00009	SIDEPLATE, LEFT	1
<i>UP TO SERIAL NO. 249998</i>			
37	CCH00012	PICK UP CHAIN C/W JOINER LINK	5
37	CCH02005	JOINER LINK (RIVETED)	0

No.	Part No	Description	Qty
37	CCH00017	JOINER LINK (COTTER)	0
37	CCH02014	JOINER LINK (CLEAT)	0
37	CCH02013	INNER LINK	0
38	ACN00011	FRONT CONVEYOR REAR SHAFT	1
39	CMH00069	FRONT LIFT CYLINDER PIN	2
40	CFA00010	ROLL PIN, 8x50 Z/P	2
41	CFA00139	WASHER, 12mm FLAT HEAVY DUTY	14
42	CFA00078	SETSCREW, M12x30 CUPHEAD Z/P	18
43	CFA00080	SETSCREW, M12x100 Z/P	2
44	ACN00010	SIDEPLATE, RIGHT	1
<i>UP TO SERIAL NO. 249998</i>			
45	CMH00308	SPROCKET, 1" DUPLEX 14 TOOTH	0
<i>NLS (60)</i>			
46	CFA00129	NUT, M20 NYLOC	5
47	CMH00316	WASHER, CUP	10
48	CMH00234	SPROCKET, 42mm PITCH 6 TOOTH	5
49	CBR00032	BUSH, GLACIER 3040	5
50	CMH00315	BUSH, STEEL HARDENED	5
51	CMH00248	PIN, FRONT SPROCKET PIVOT	5
52	CFA00062	GREASE NIPPLE, M8 90 DEGREE	5
53	ACN00012	SKID	1
54	CFA00201	WASHER, 10mm FLAT	4
55	CFA00126	NUT, M14 NYLOC	2
56	CFA00222	WASHER, 14mm FLAT	2
57	CFA00221	SETSCREW, M14x40 Z/P	2
58	ACN00015	SIDEPLATE, LEFT	1
<i>FROM SERIAL NO. 249999</i>			
59	ACN00016	SIDEPLATE, RIGHT	1
<i>FROM SERIAL NO. 249999</i>			
60	CMH00101	SPROCKET, 1" 14 TOOTH	1
<i>FROM SERIAL NO. 249999</i>			
61	CMH00102	SPROCKET, 1" 20 TOOTH	1
<i>FROM SERIAL NO. 249999</i>			
62	CCH00024	CHAIN, 1" 41 LINK, OFFSET & JOIN	1
<i>FROM SERIAL NO. 249999</i>			
62	CCH02001	1" JOINER LINK	0
62	CCH02004	1" OFFSET LINK	0

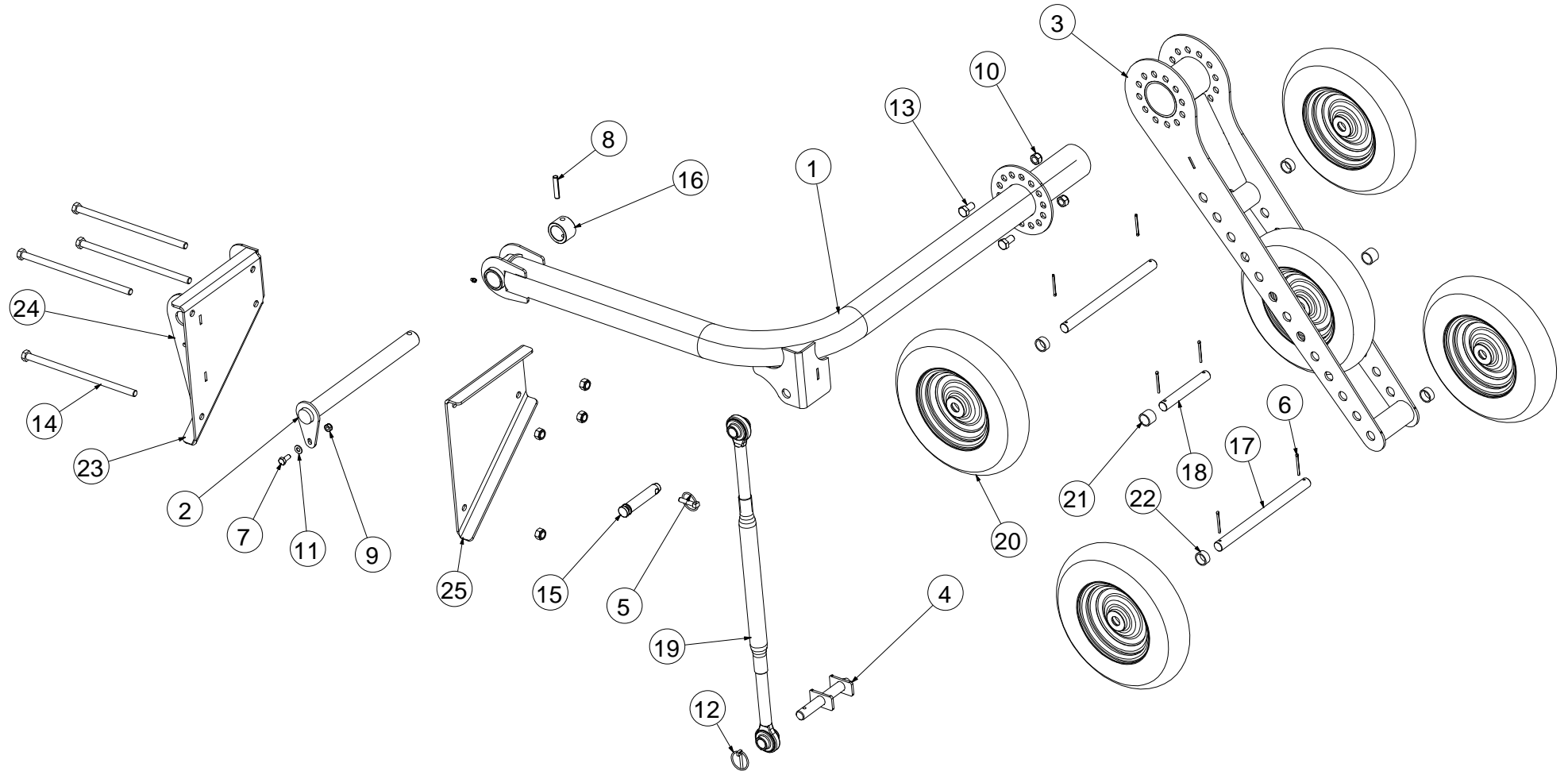
Spare film holder (337)



No.	Part No	Description	Qty
0	ADB00024	SPARE ROLL HOLDER ASM 998	1
<i>INCLUDES ITEMS 1 THROUGH 6</i>			
1	ADB00025	SPARE ROLL HOLDER WELD ASM 998	1
2	CBC00007	CAP BLACK PLASTIC 2.3/8" OSF	8
3	CBC00021	CAP SQ PLASTIC INSERT 80 X 50	4
4	CFA00124	NUT M12 NYLOC	6
5	CFA00313	BOLT M12X130 Z/P	6
6	CZF02414	6MM L ROLL HOLDER MOUNT BRCKT	2

No.	Part No	Description	Qty
-----	---------	-------------	-----

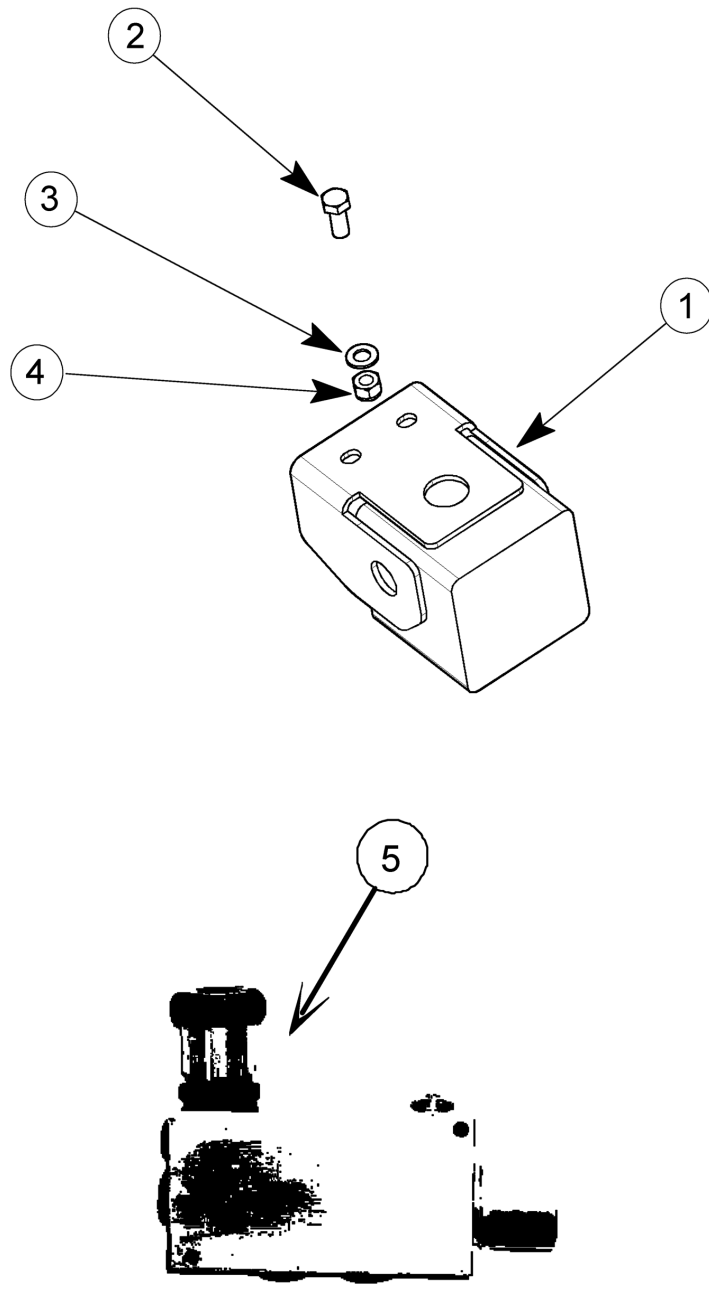
Round bale kit (346)



No.	Part No	Description	Qty
1	ACH00110	ROUND BALE PIPE ASSEMBLY	1
2	ACH00111	ROUND BALE PIVOT PIN ASM.	1
3	ACH00112	WHEEL BRACKET ASSEMBLY	1
4	ACH02260	ROUND BALE KIT ATTACHMENT	1
5	CFA00005	LINCH PIN 10MM	1
6	CFA00013	SPLIT PIN 5X50 Z/P	6
7	CFA00024	SETSCREW M10X25 Z/P	1
8	CFA00110	ROLL PIN 12X60	1
9	CFA00123	NUT M10 NYLOC	1
10	CFA00128	NUT M16 NYLOC	6
11	CFA00201	WASHER FLAT 10 MM Z/P	1
12	CFA00202	LINCH PIN 6MM	1
13	CFA00399	SETSCREW M16X30 Z/P	2
14	CFA00408	BOLT M16X340Z/P	4
15	CMH00015	PIN 3/4" X135 TOP LINK	1
16	CMH00252	BUSH 41X58X40&12MM C	1
17	CMH00392	PIN 25X355&2X6MM CH	2
18	CMH00393	PIN 25X175&2X6MM CH	1
19	CTP00121	CAT 2 TOP LINK EXTENDED 998 ROUND BALE KIT	1
	<i>REPLACES CTP00036</i>		
20	CWH00021	WHEEL ASY 4.00/4.80 - 8	5
21	CXT00452	C033.7X3X25	2
22	CXT00453	C033.7X3X15	4
23	CZF02580	6MM L BALE ATTACHMENT BRCKT.	1
24	CZF02581	6MM L BALE ATTACHMENT BRCKT.	1
25	CZF02582	6MM L FRONT ATTACHMENT BRCKT	1

No.	Part No	Description	Qty
-----	---------	-------------	-----

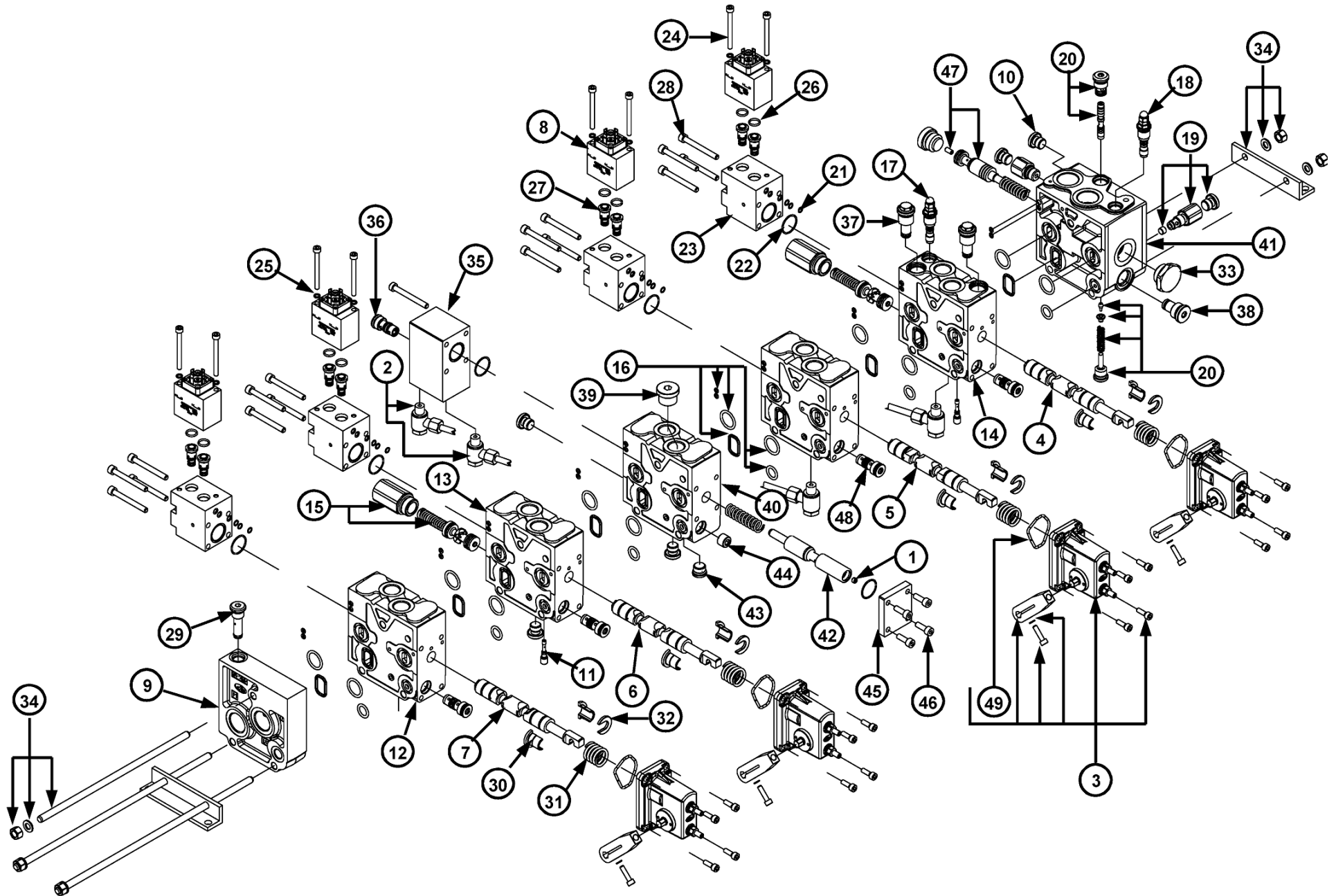
Small bale kit (348)



No.	Part No	Description	Qty
1	ARC00016	ROLLER CRADLE BALAST BRACKET ASSY	2
2	CFA00275	SETSCREW M14 X 35 FLANGED Z/P	4
3	CFA00222	WASHER FLAT 14MM Z/P	4
4	CFA00126	NUT M14 NYLOC	4
5	CVA03004	FLOW CONTROL VALVE	1

No.	Part No	Description	Qty
-----	---------	-------------	-----

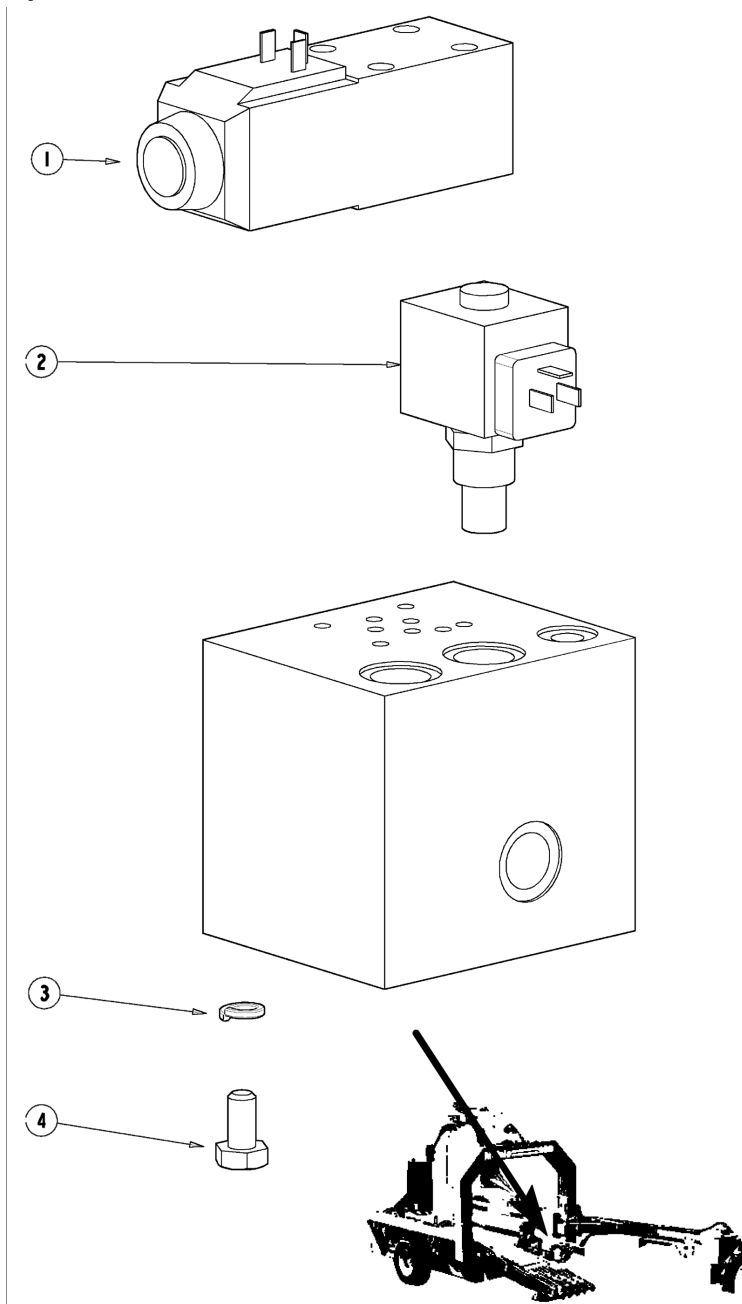
Hydraulic control valve (338)



No.	Part No	Description	Qty
0	CVA00062	VALVE CTL DPC130/4 998	1
<i>OVERALL ASSEMBLY</i>			
1	CFA00568	M6x4.5-Fc=1 SCREW	1
2	CHY02020	ADAPTOR 1/4" BANJO ASY COMP	1
3	CVA00103	LEVER PIVOT BOX DPC130	4
4	CVA00244	SPOOL ROTATION WASTE 998	1
<i>REPLACES EITHER CVA00117 OR CVA00587 TO IMPROVE SLOW-SPEED PERFORMANCE</i>			
5	CVA00118	SPOOL, CUT & HOLD	1
6	CVA00119	SPOOL, CONVEYOR	1
7	CVA00120	SPOOL, BALE LIFT	1
8	CVA00122	SOLENOID DPC130	4
9	CVA00175	END BLOCK VALVE CHEST	1
10	CVA00176	PLUG BSP 1/4"	5
11	CVA00177	FLOW LIMITER DPC130	2
12	CVA00178	VALVE SECTION DPC130 D10	2
13	CVA00179	VALVE SECTION DPC130 C10	1
14	CVA00180	VALVE SECTION DPC130 C21	1
15	CVA00186	SECTION COMPENSATOR DPC130	2
16	CVA00187	SEAL KIT DPC130 "O" RINGS	6
17	CVA00189	VALVE DPC130 (40-180 BAR)	1
18	CVA00191	VALVE DPC130 (180-350BAR)	1
19	CVA00192	FILTER LOAD SENSING DPC130	1
20	CVA00193	VALVE PRESSURE REDUCING DPC130	1
21	CVA00194	O-RING SEAL 5 X 1.2MM PARKER	12
22	CVA00195	O-RING SEAL 21.95MM X 1.78MM	6
23	CVA00196	CONTROL MODULE DPC130	4
24	CVA00197	SOC CAP M5 X 55MM	8
25	CVA00198	WASHER ELASTIC M5	12
26	CVA00199	O-RING SEAL 11.11MM X 1.78MM	8
27	CVA00200	PRESSURE REDUCER DPC130	8
28	CVA00201	SOC CAP M6 X 55MM	20
29	CVA00203	JOINT DPC130	1
30	CVA00204	OPEN BUSHING DPC130	8
31	CVA00205	SPRING DPC130	4
32	CVA00206	RING 11.2 X 23 X 3MM	4
33	CVA00207	PLUG DPC130	1
34	CVA00255	TIE ROD KIT VALVE CHEST	1
35	CVA00300	DPC130/ELP BODY	1
36	CVA00301	DPC130-DPC26 VALVE	1
37	CVA00302	UT/DPC130-SDS100 PLUG	2
38	CVA00303	LT/DPC26-DPC130-SDM081 PLUG	1
39	CVA00304	BSP 1/2 PLUG	2
40	CVA00305	ELP/DPC130-BSP WORKING SECTION	1
41	CVA00306	FE/DPC130/BR-BSP INLET COVER	1
42	CVA00307	DPC130/ELP-SPOOL	1
43	CVA00308	M18x1.5 PLUG	1
44	CVA00309	M14x1.5 DIN 906 PLUG	1
45	CVA00310	DPC130/ELP-FLANGE	1
46	CVA00311	UNI-5931/M6x18-8.8 GALVANIZED	4

No.	Part No	Description	Qty
47	CVA06009	CLOSED CTR KIT DPC130	1
48	CVA06011	CTE SHUTTLE VALVE DPC	4
48	CSE00138	SEAL KIT DPC130 SHUTTLE VALVE	1
<i>SEAL KIT FOR SHUTTLE VALVE CVA06011</i>			
49	CSE00120	SEAL O-RING LEVER BOX DPC130	4

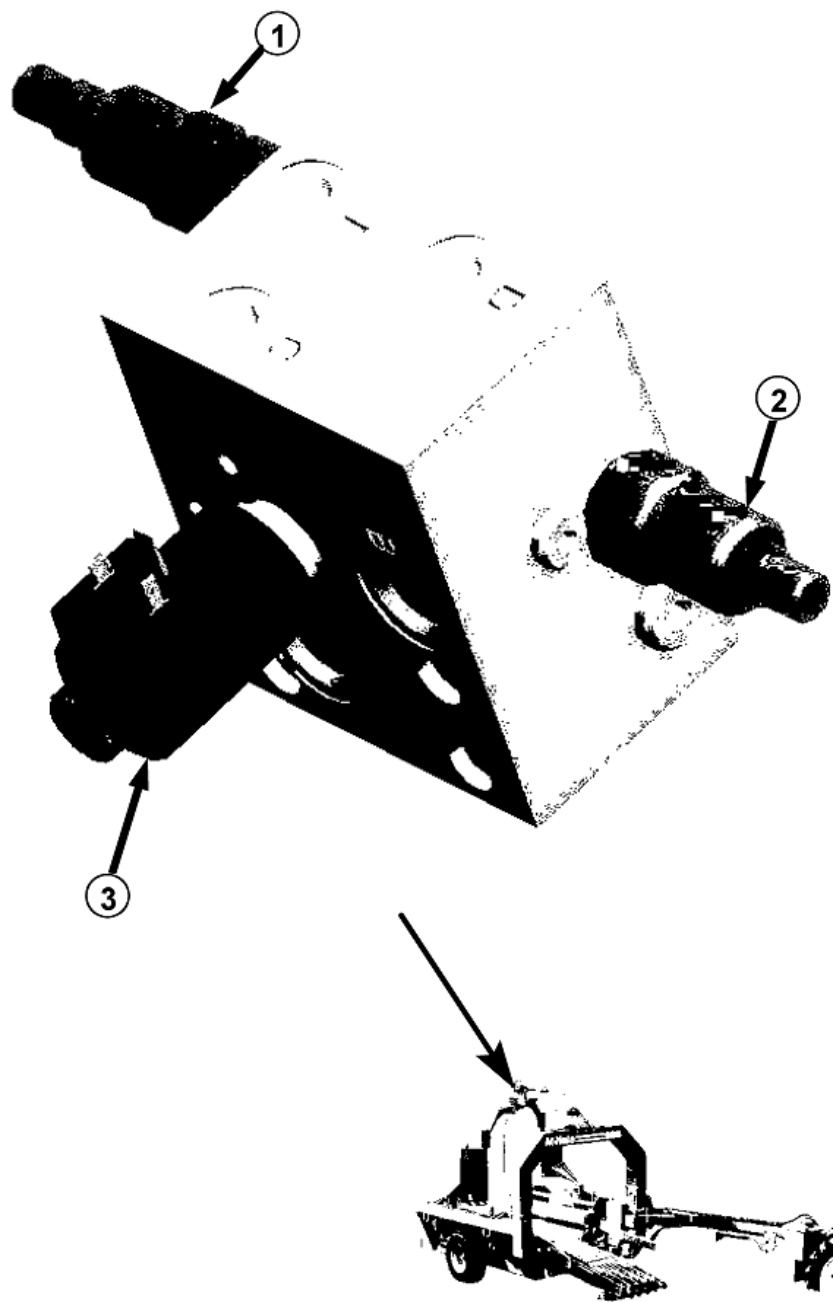
Hydraulic valve roller rotation (339)



No.	Part No	Description	Qty
0	CVA00021	ROLLER ROTATION BLOCK COMPLETE	1
1	CVA00038	VALVE "CC"	1
2	CVA00039	VALVE "NFC"	1
<i>CATRIDGE & COIL COMPLETE</i>			
2	CVA00263	EATON COIL CVA00039	1
<i>COIL ONLY</i>			
3	CFA00137	WASHER, 10mm SPRING	2
4	CFA00023	SETSCREW, M10x20 Z/P	2

No.	Part No	Description	Qty
-----	---------	-------------	-----

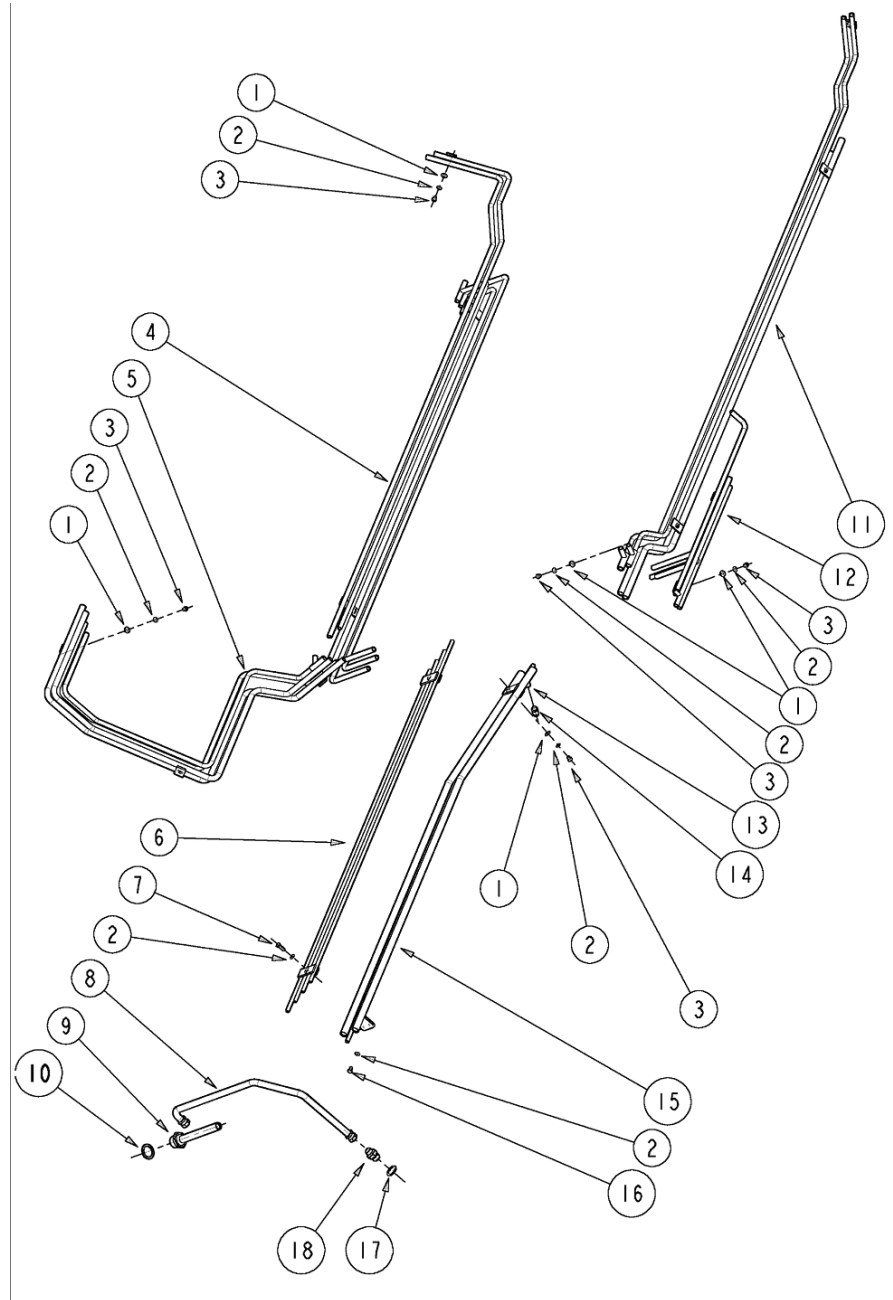
Hydraulic valve dispenser drive (340)



No.	Part No	Description	Qty
	CVA00153	VALVE ROTATION 998	1
1	CVA00287	CTE PRESSURE REDUCING HS & 998	1
2	CVA00312	OVER CENTRE VALVE ASSY	1
3	CVA00071	CTE 991BJS DETENT VALVE	1

No.	Part No	Description	Qty
-----	---------	-------------	-----

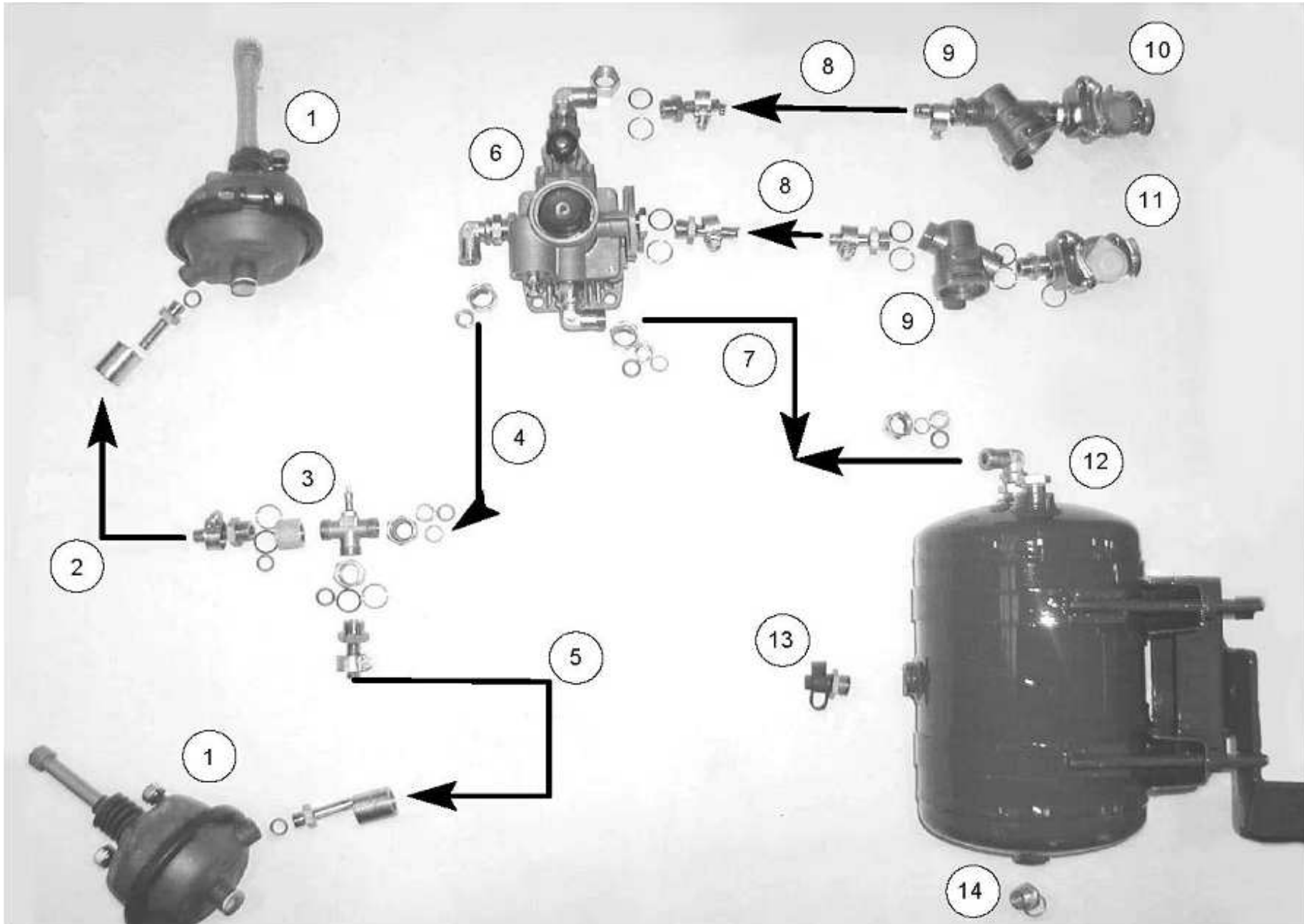
Hydraulic pipes steel (341)



No.	Part No	Description	Qty
1	CFA00251	WASHER 10mm SKM	12
2	CFA00249	WASHER 8mm SKM	15
3	CFA00292	SETSCREW M8x10 SOCKET CAP Z/P	12
4	CHY00039	STEEL PIPE ASSEMBLY REAR RIGHT	1
5	CHY00036	STEEL PIPE ASSEMBLY FRONT RIGHT	1
6	CHY00034	STEEL PIPE ASSEMBLY DRAWBAR TOP	1
7	CFA00316	BOLT M8x30 Z/P	2
8	CHY00033	STEEL PIPE PUMP INTERNAL RETURN	1
9	CHY00032	STEEL PIPE TANK RETURN	1
10	CHY00054	WASHER 1 1/4" "DOWTY"	1
11	CHY00037	STEEL PIPE ASSEMBLY REAR LEFT	1
12	CHY00038	STEEL PIPE ASSEMBLY FRONT LEFT	1
13	CHY00015	WASHER 1/4" "DOWTY"	3
14	CHY00056	PRESSURE TEST ADAPTOR	1
14	CVA03102	NON RETURN VALVE 1/4"	1
15	CHY00035	STEEL PIPE ASSY DRAWBAR BOTTOM	1
16	CFA00101	SETSCREW M8x16 Z/P	2
17	CHY02012	WASHER 3/4" "DOWTY"	1
18	CHY00057	ADAPTER 5/8"M - 3/4" M	1

No.	Part No	Description	Qty
-----	---------	-------------	-----

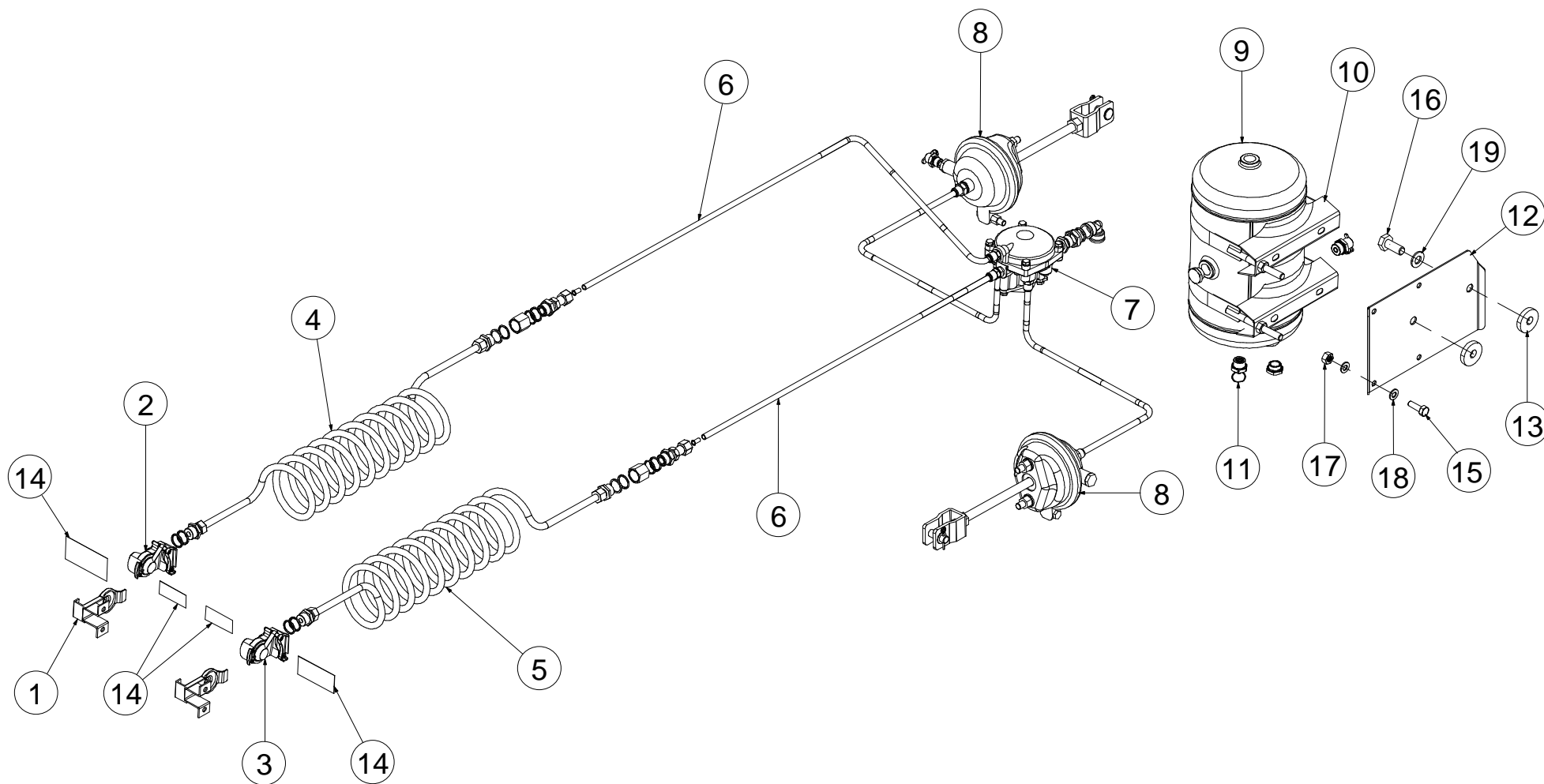
Air brake kit 998 up to & incl 2008 (347)



No.	Part No	Description	Qty
1	CVA00124	AIR BRAKE ACTUATOR	2
2	CHY00125	HOSE A/B 1.85M LONG 25MM X 5.5MM	1
3	CVA00128	TEE PIECE AIR BRAKE VALVE	1
4	CHY00128	HOSE A/B 1M LONG 15MM X 1.5MM	1
5	CHY00126	HOSE A/B 2.9M LONG 25MM X 5.5MM	1
6	CVA00123	AIR BRAKE AIR VALVE	1
7	CHY00127	HOSE A/B 0.29M LONG 15MM X 1.5MM	1
8	CHY00124	HOSE A/B 5.3M LONG 25MM X 5.5MM	2
9	CVA00126	AIR BRAKE QUICK FIT COUPLING	2
10	CVA00127	AIR BRAKE QUICK FIT BRACKET (RED)	1
11	CVA00132	AIR BRAKE QUICK FIT BRACKET (YELLOW)	1
12	CVA00125	AIR BRAKE AIR TANK	1
13	CVA00131	RELIEF VALVE, AIR BRAKE TANK	1
14	CVA00130	DRAIN TAP, AIR BRAKE TANK	1

No.	Part No	Description	Qty
-----	---------	-------------	-----

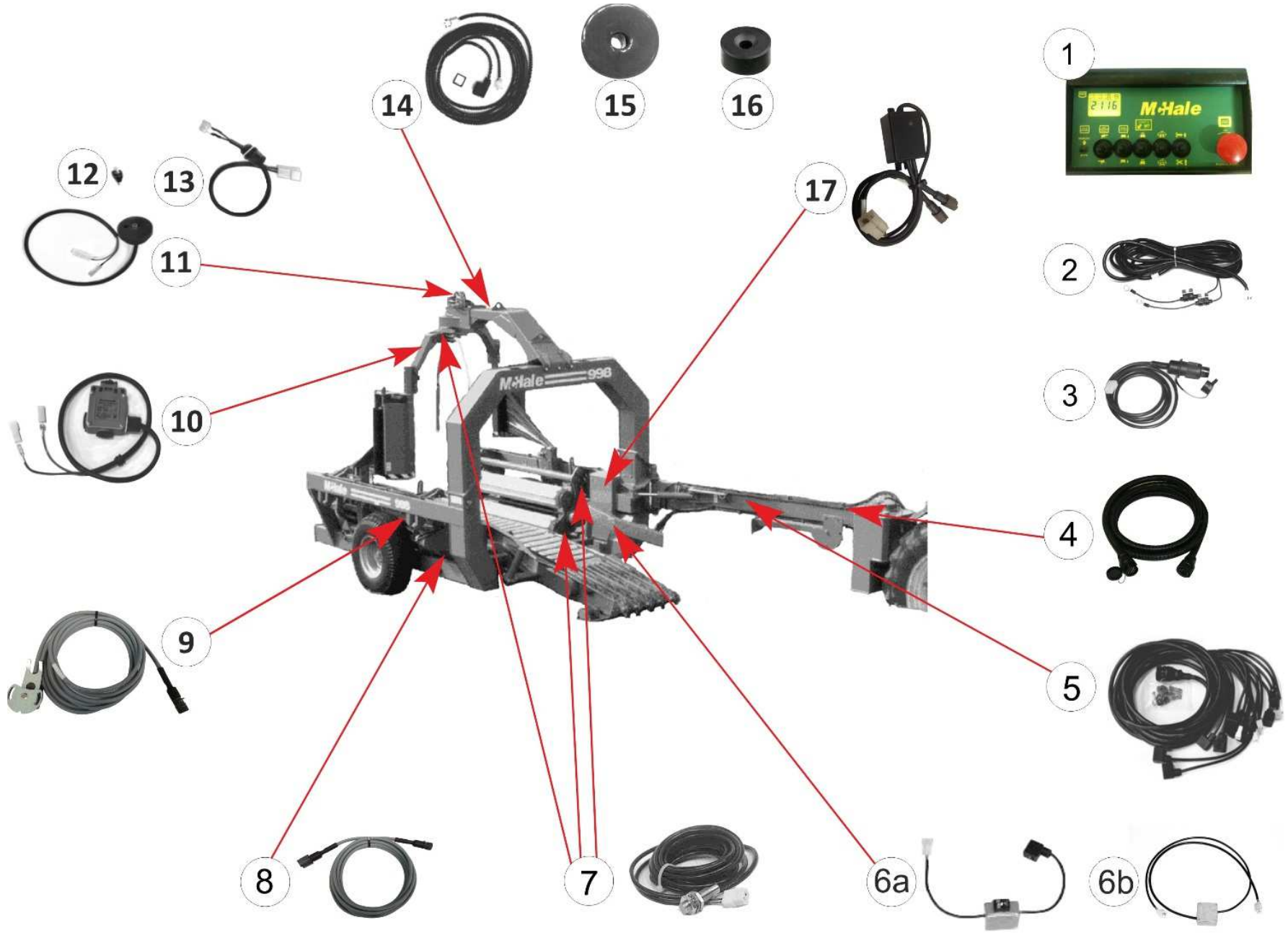
Air brake kit 998 from 2009 onwards (944)



No.	Part No	Description	Qty
1	CVA00328	COUPLER BRACKET	2
2	CVA00126	PALM QUICK FIT COUPLING (YELLOW) M22	1
3	CVA00127	PALM QUICK FIT COUPLING (RED) M22	1
4	CHY02557	SERVICE SUZZIE (YELLOW)	1
5	CHY02558	EMERGENCY SUZZIE (RED)	1
6	CHY02559	10MM O/D NYLON AIR BRAKE HOSE	AR
7	CHY02605	CONTROL VALVE AIR BRAKE KIT [TRACTAIR]	1
8	CVA00124	AIR BRAKE ACTUATOR FUSION 998 F5	2
9	CVA00324	10LTR AIR RESERVOIR	1
<i>TANK</i>			
10	CVA00325	RESERVOIR SADDLE	2
<i>SADDLE BRACKET</i>			
11	CVA00327	AIR BRAKE M16 TEST POINT	1
12	CZC04361	3MM L AIR BRAKE BRACKET 998	2
<i>MOUNTING PLATE</i>			
13	CZH00128	10MM L BALEHANDLER WASHER \diamond 50	2
14	CST00808	DECAL KIT FOR CHY2567 AIR BRAKE	1
15	CFA00024	SETSCREW M10X25 Z/P	4
16	CFA00074	SETSCREW M16X45 Z/P	2
17	CFA00123	NUT M10 NYLOC	4
18	CFA00201	WASHER FLAT 10MM Z/P	8
19	CFA00252	WASHER SKM16	2

No.	Part No	Description	Qty
-----	---------	-------------	-----

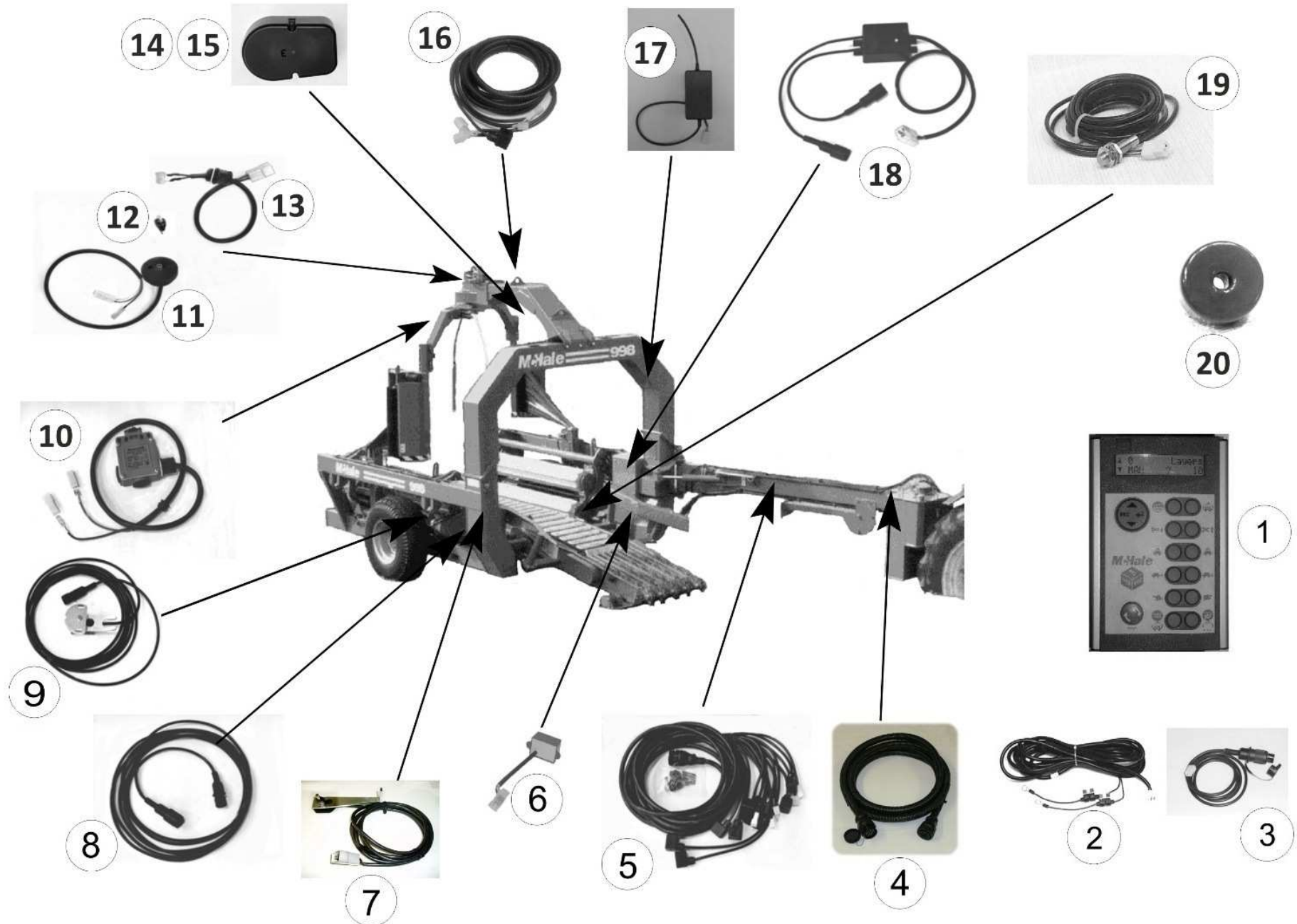
Electrical components [Up to Serial No 250617] (342)



No.	Part No	Description	Qty
1	CEL00040	CONTROL BOX AUTO 998	1
1	KST00060	998 CONTROL UNIT ADAPTOR KIT	1
<i>REPLACEMENT ADAPTOR KIT TO EXPERT CONTROL BOX UP TO SERIAL NO 250617</i>			
2	CEL00031	POWER LEAD	1
3	CEL00064	EURO POWER LEAD	1
4	CEL00021	24 PIN EXTENSION	1
5	CEL00041	MAIN LOOM	1
<i>UP TO SERIAL NO 250160</i>			
5	CEL00151	MAIN LOOM	1
<i>FROM SERIAL NO 250161 TO 250617</i>			
6a	CEL00091	MODULE SLOW SPEED 998	1
<i>UP TO SERIAL NO 250160</i>			
6b	CEL00152	MODULE SLOW SPEED 998	1
<i>FROM SERIAL NO 250161 TO 250617</i>			
7	CEL00004	SENSOR CABLE 3.6M	3
8	CEL00049	EXTENSION CRADLE POT 998	1
9	CEL00048	POTENTIOMETER 998 CRADLE	2
10	CEL00038	SAFETY ARM SWITCH	2
11	CEL00046	SLIPRING LOWER LOOM	1
12	CEL00047	SLIPRING	1
13	CEL00045	CON ASY SLIPRING 2 WAY TOP	1
14	CEL00044	LOOM SWITCH SAFETY 998	1
15	CEL00017	MAGNET LARGE BLUE	3
16	CEL00059	MAGNET 20 X 10 260369	2
17	CEL00050	MODULE COMPARATOR 998	1

No.	Part No	Description	Qty
-----	---------	-------------	-----

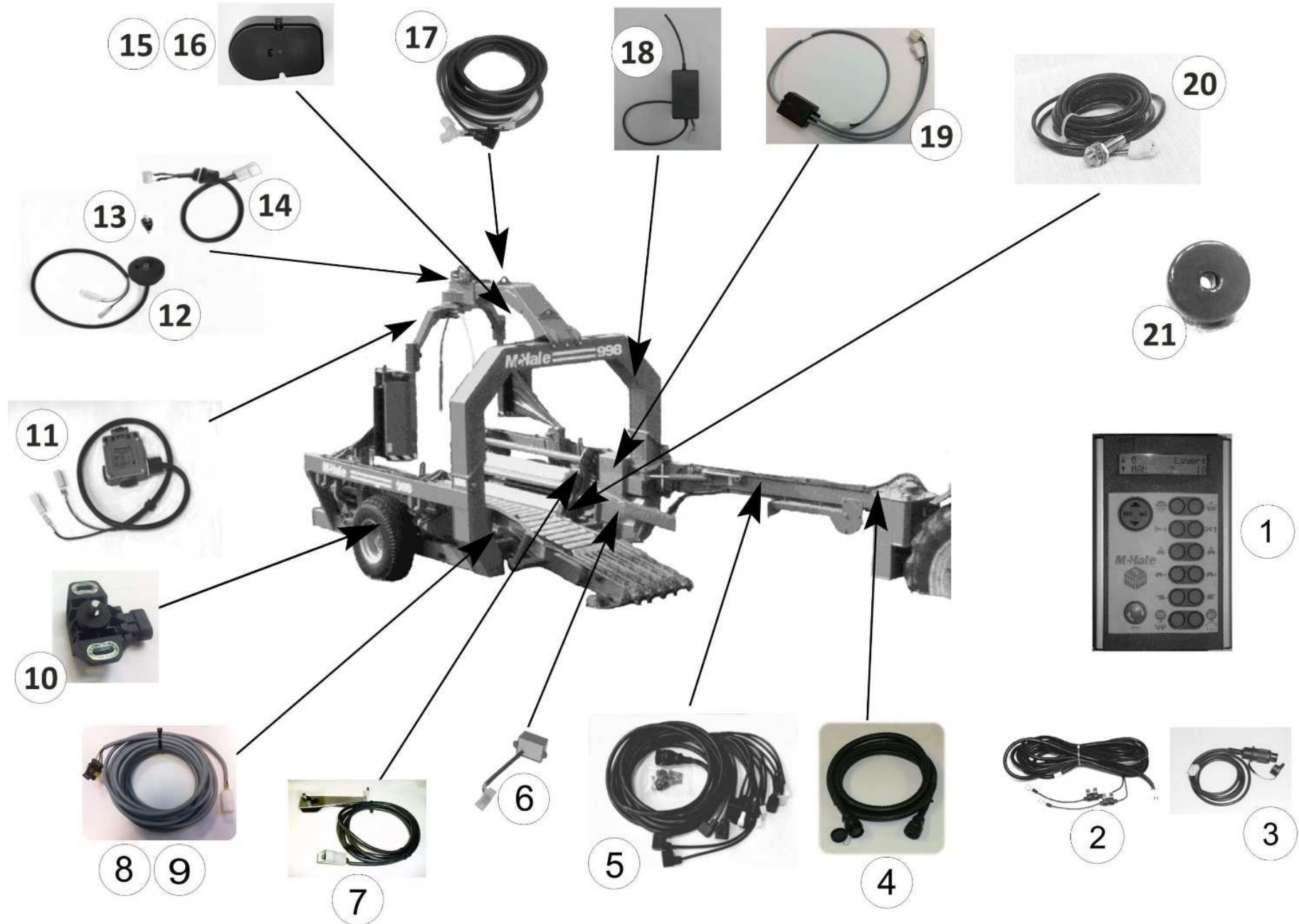
Electrical components [Serial No 250618 to 251187] (343)



No.	Part No	Description	Qty
1	CEL00168	EXPERT CONTROL UNIT	1
1	CEL00288	EXPERT CONTROL BOX SCREEN	1
<i>REPLACEMENT SCREEN FOR EXPERT CONTROL BOX</i>			
1	CEL00321	SCREEN PROTECTOR EXPERT	1
1	CEL00670	CONTROL UNIT STOP SWITCH	1
1	CEL00671	STOP SWITCH CONTACT BLOCK - FOR CEL00670	1
1	CEL00365	CTRL UNIT CONNECTOR LOCK RING	1
<i>REPLACEMENT LOCK RING TO CONNECT TO MAIN LOOM</i>			
1	CPL00007	VACUUM PAD FLAT BACK	1
2	CEL00031	POWER LEAD	1
3	CEL00064	EURO POWER LEAD	1
4	CEL00086	37 PIN EXTENSION	1
5	CEL00618	MAIN LOOM	1
6	CEL00193	PWM MODULE	1
7	CEL00164	HEIGHT POTENTIOMETER	1
8	CEL00049	EXTENSION CRADLE POT 998	1
9	CEL00048	POTENTIOMETER 998 CRADLE	2
<i>KST00059 AVAILABLE AS AN UPGRADE KIT</i>			
10	CEL00038	SAFETY ARM SWITCH	2
11	CEL00046	SLIPRING LOWER LOOM	1
12	CEL00047	SLIPRING	1
13	CEL00045	SLIPRING UPPER LOOM	1
14	CEL00221	TRANSMITTER EVEN	1
15	CEL00222	TRANSMITTER ODD	1
16	CEL00619	TOP ARCH LOOM	1
17	CEL00230	FILM BREAK RECEIVER	1
18	CEL00050	MODULE COMPARATOR 998	1
19	CEL00035	MAGNETIC SENSOR	2
20	CEL00017	MAGNET LARGE BLUE	3

No.	Part No	Description	Qty
-----	---------	-------------	-----

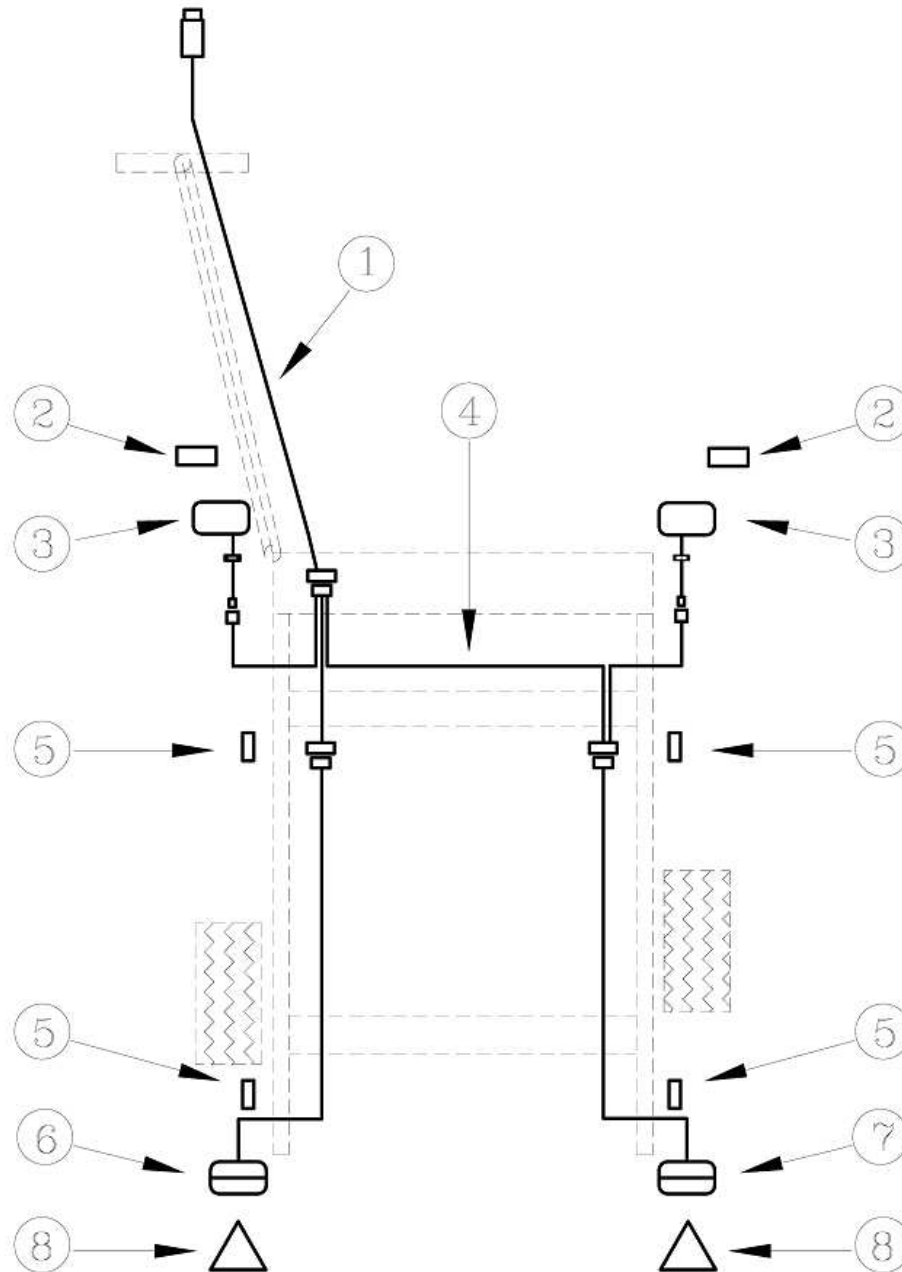
Electrical components [From Serial No 251188] (797)



No.	Part No	Description	Qty
1	CEL00168	EXPERT CONTROL UNIT	1
1	CEL00288	EXPERT CONTROL BOX SCREEN	1
<i>REPLACEMENT SCREEN FOR EXPERT CONTROL BOX</i>			
1	CEL00321	SCREEN PROTECTOR EXPERT	1
1	CEL00670	CONTROL UNIT STOP SWITCH	1
1	CEL00671	STOP SWITCH CONTACT BLOCK - FOR CEL00670	1
1	CEL00365	CTRL UNIT CONNECTOR LOCK RING	1
<i>REPLACEMENT LOCK RING TO CONNECT TO MAIN LOOM</i>			
1	CPL00007	VACUUM PAD FLAT BACK	1
2	CEL00031	POWER LEAD	1
3	CEL00064	EURO POWER LEAD	1
4	CEL00086	37 PIN EXTENSION	1
5	CEL00618	MAIN LOOM	1
6	CEL00193	PWM MODULE	1
7	CEL00164	HEIGHT POTENTIOMETER	1
8	CEL00798	ANGLE SENSOR EXTENSION LEFT	1
9	CEL00799	ANGLE SENSOR EXTENSION RIGHT	1
10	CEL00785	ANGLE SENSOR	2
11	CEL00038	SAFETY ARM SWITCH	2
12	CEL00046	SLIPRING LOWER LOOM	1
13	CEL00047	SLIPRING	1
14	CEL00045	SLIPRING UPPER LOOM	1
15	CEL00221	TRANSMITTER EVEN	1
16	CEL00222	TRANSMITTER ODD	1
17	CEL00619	TOP ARCH LOOM	1
18	CEL00230	FILM BREAK RECEIVER	1
19	CEL00797	COMPARATOR VERSION-2	1
20	CEL00035	MAGNETIC SENSOR	2
21	CEL00017	MAGNET LARGE BLUE	3

No.	Part No	Description	Qty
-----	---------	-------------	-----

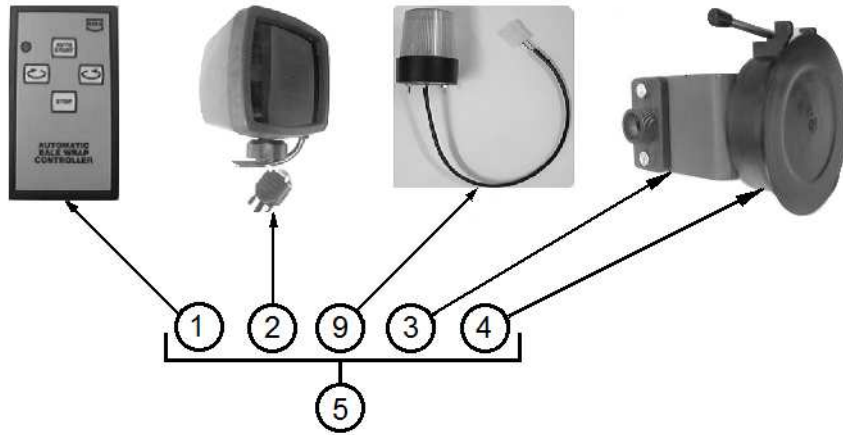
Electrical lighting (344)



No.	Part No	Description	Qty
1	CEL00072	7 PIN PLUG & LOOM	1
2	CEL00079	FRONT RECTANGULAR REFLECTOR (WHITE)	2
3	CEL00074	FRONT MARKER LIGHT & LOOM	2
4	CEL00073	JOINER LOOM	1
5	CEL00078	SIDE RECTANGULAR REFLECTOR (ORANGE)	4
6	CEL00075	LEFT HAND REAR LIGHT	1
7	CEL00076	RIGHT HAND REAR LIGHT	1
8	CEL00077	REAR TRIANGULAR REFLECTOR (RED)	2
8	CFA00288	SETSCREW, M5x16 PAN HEAD	4
8	CFA00321	NUT, M5 NYLOC	4
8	CEL00111	WORK LIGHT & LOOM	1

No.	Part No	Description	Qty
-----	---------	-------------	-----

Remote control options (263)

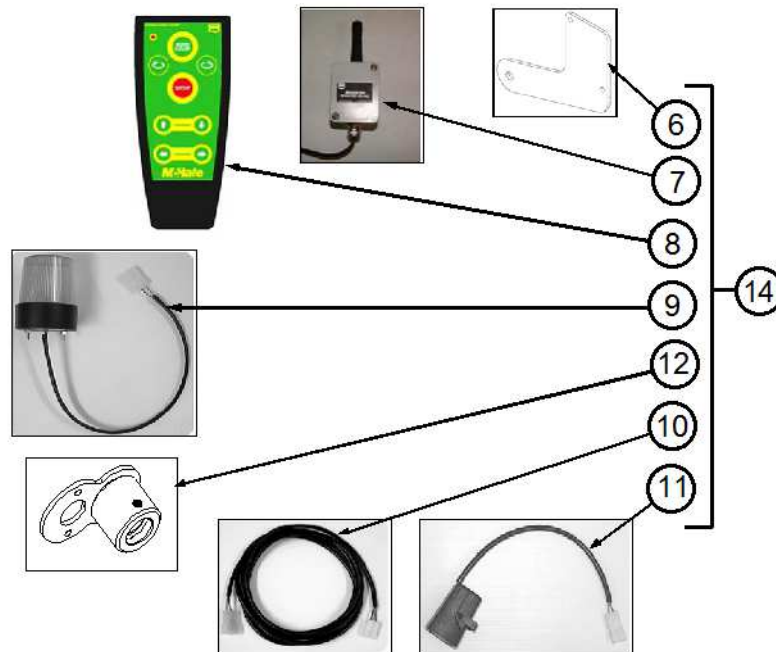


REMOTE CONTROL INFRARED TYPE

Used on current version of 998 (KST00022)

Was used on older versions of 991/995 & HS2000 (KST00007)

REMOTE CONTROL RADIO-CONTROL TYPE



Supersedes Infrared type remote control for newer versions of 991/995 (KST00053) and HS2000 (KST00021)

Not used on 998 machines

No.	Part No	Description	Qty
1	CEL00013	REMOTE HAND PIECE	1
2	CEL00012	REMOTE RECEIVER	1
3	CZD02128	4MM L REMOTE POD BRACKET	1
4	CPL00007	VACUUM PAD FLAT BACK	1
5	KST00007	KIT REMOTE + BEACON 991/995	1
<i>REPLACED BY RADIO REMOTE CONTROL KIT KST00021 (HS2000) & KST00053 (991/995)</i>			
5	KST00022	KIT INFARED REMOTE+BEACON 998	1
<i>USED ON 998 ONLY</i>			
6	CZC04362	BRACKET REMOTE TRANSMITTER.	1
7	CEL00665	RECEIVER	1
8	CEL00664	HAND PIECE	1
9	CEL00292	BEACON XENON AMBER	1
<i>REPLACES CEL00032</i>			
10	CEL00293	CABLE EXT 2.8M BEACON 991/995	1
<i>USED ON 991/995 ONLY</i>			
10	CEL00294	CABLE EXT BEACON HS2000	1
<i>USED ON HS2000 ONLY UP TO SERIAL No 551069</i>			
11	CEL00220	WARNING BUZZER	1
12	ADP00160	BRACKET BEACON XENON	1
14	KST00021	KIT REMOTE + BEACON HS2000	1
<i>USED ON HS2000 SERIES ONLY</i>			
14	KST00053	KIT RADIO REMOTE+BEACON 991/995	1
<i>USED ON 991/995 SERIES ONLY</i>			

No.	Part No	Description	Qty
-----	---------	-------------	-----

Decals (345)

Decal 1: Warning: Rotating elements. Danger due to projection of foreign objects. Keep all persons away from the danger area.

Decal 2: Warning: Rotating elements. Danger due to projection of foreign objects. Keep all persons away from the danger area.

Decal 3: Warning: Rotating elements. Danger due to projection of foreign objects. Keep all persons away from the danger area.

Decal 4: Warning: Rotating elements. Danger due to projection of foreign objects. Keep all persons away from the danger area.

Decal 5: Warning: Rotating elements. Danger due to projection of foreign objects. Keep all persons away from the danger area.

Decal 6: Warning: Rotating elements. Danger due to projection of foreign objects. Keep all persons away from the danger area.

Decal 7: Warning: Rotating elements. Danger due to projection of foreign objects. Keep all persons away from the danger area.

Decal 8: 600 - 800 RPM

Decal 9: Warning: Rotating elements. Danger due to projection of foreign objects. Keep all persons away from the danger area.

Decal 10: Warning: Rotating elements. Danger due to projection of foreign objects. Keep all persons away from the danger area.

Decal 11: WARNING! MAX DISPENSER ROTATION SPEED 25 R.P.M.

Decal 12: Warning: Rotating elements. Danger due to projection of foreign objects. Keep all persons away from the danger area.

Decal 13: Warning: Rotating elements. Danger due to projection of foreign objects. Keep all persons away from the danger area.

Decal 14: Warning: Rotating elements. Danger due to projection of foreign objects. Keep all persons away from the danger area.

Decal 15: Warning: Rotating elements. Danger due to projection of foreign objects. Keep all persons away from the danger area.

Decal 16: 26 P.S.I. 1.75 BAR

Decal 17: Warning: Rotating elements. Danger due to projection of foreign objects. Keep all persons away from the danger area.

Decal 18: Warning: Rotating elements. Danger due to projection of foreign objects. Keep all persons away from the danger area.

Decal 19: DIE RADMUTTERS MÜSSEN TÄGLICH ÜBERPRÜFT WERDEN. VERIFIEZ REGULIEREMENT LE SERRAGE DES ECROUS DES ROUES. CHECK WHEEL NUTS DAILY.

No.	Part No	Description	Qty
0	CST00012	DECAL SET COMPLETE	1
1	CST00017	HANDS CLEAR OF ROTATING PARTS	2
2	CST00022	PLASTIC FILM PATH	2
3	CST00014	WARNING! ROTATING ELEMENTS	2
4	CST00033	DECAL "MCHALE" 998	4
5	CST00036	DECAL "998"	4
6	CST00016	HYDRAULIC SYSTEM AWARENESS	2
7	CST00015	REMOVE IGNITION KEY	1
8	CST00023	PTO SPEED	1
9	CST00024	CHECK OIL LEVEL	1
10	CST00141	DRAWBAR CRUSH AREA	4
11	CST00685	DECAL MAX DISPENSER SPEED 25RPM	1
12	CST00040	DISPENSER ROTATION WARNING	2
13	CST00032	LIFTING HOOK	4
14	CST00019	HAND CRUSH AREA	4
15	CST00020	CHECK WHEEL NUTS	2
16	CST00021	CHECK TYRE PRESSURE	2
17	CST00056	HYDRAULIC ACCUMULATOR WARNING	3
18	CST00026	HAND ENTRAPMENT	2

No.	Part No	Description	Qty
-----	---------	-------------	-----