

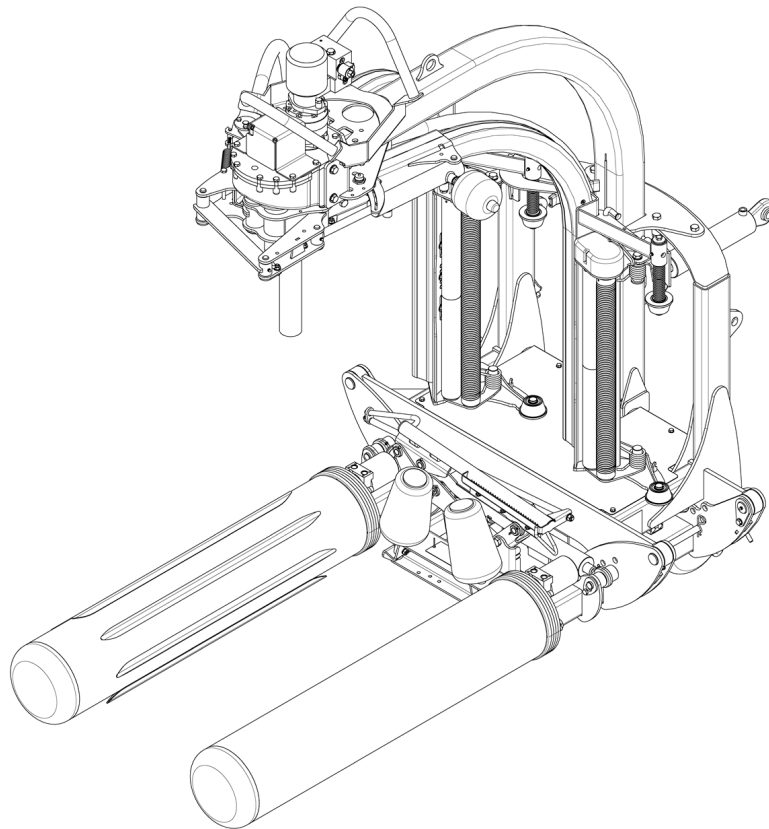
McHale W2020



QUALITY

I.S. EN ISO 9001:2015

NSAI Certified



W2020 **Spare Parts Book**

McHale,
Ballinrobe,
Co. Mayo, Ireland.

Tel: +353 94 9520300

Fax: +353 94 9520356

Email: sales@mchale.net

Website: www.mchale.net

This page is intentionally left blank

Introduction

The **McHale W2020** which you have purchased has been developed through years of constant research and development. Given proper care and attention the **W2020** will give years of reliable and dependable performance. However it is important that the operators manual is read and fully understood to achieve this, **before** the machine is operated. As part of this philosophy it is vital to use only **genuine McHale** replacement parts, as these are manufactured to the same high standard as the original machine. These may be obtained through your **McHale** dealer.

If any part of this manual is not fully understood, please contact your **McHale** dealer who will be able to answer any questions or queries that you might have. It is important to quote the machine serial number when requiring spare parts or technical assistance. Space is provided below to record the machine details:

Serial number:	
Year of manufacture:	
Date of delivery:	

If you require further copies of this spare parts manual please
quote part number CLT00645

Note: Parts described as left and right are done so according to the direction that the machine normally travels in.

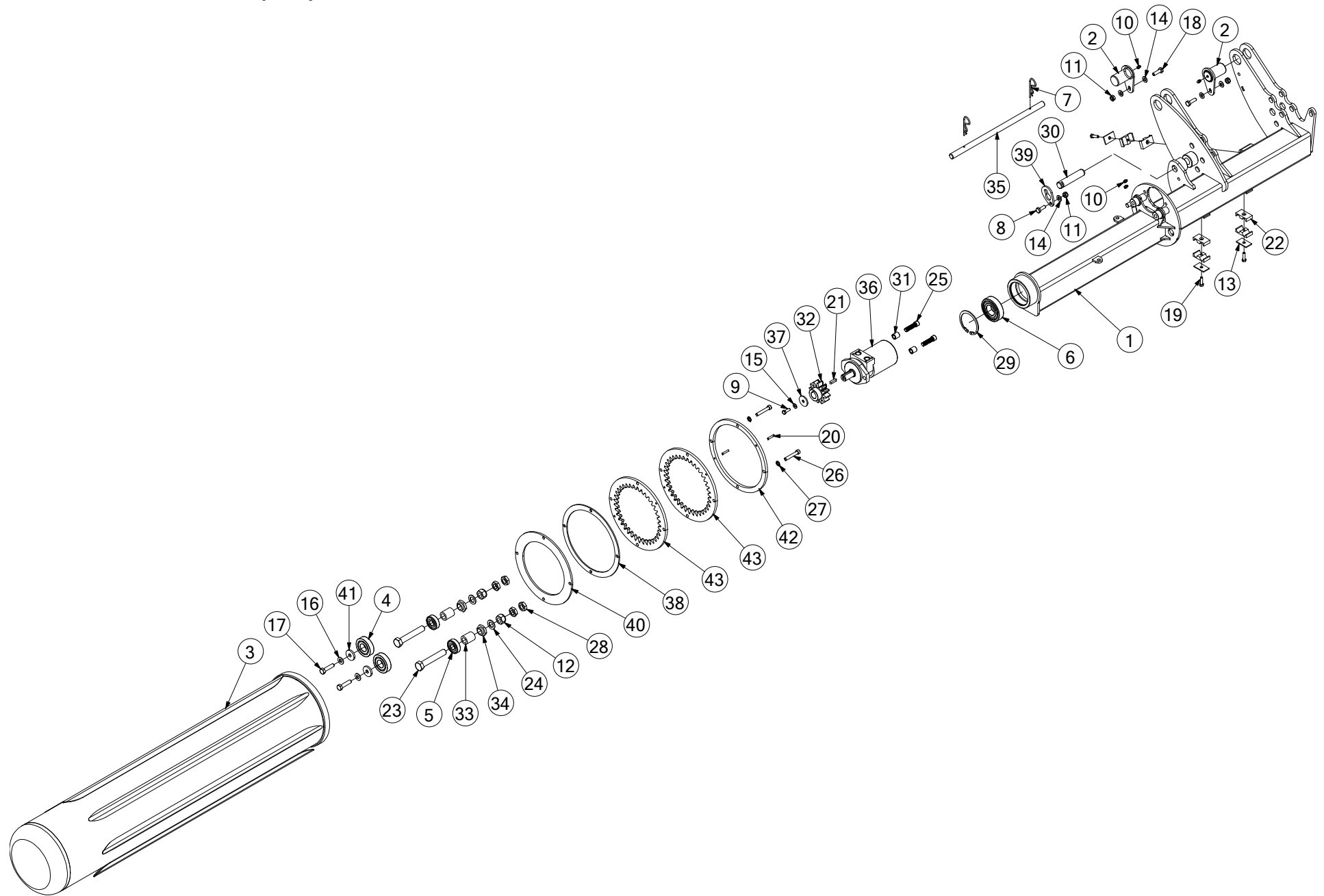
Note: Due to a policy of continuous product development and improvement *McHale Engineering* reserve the right to alter machine specifications without prior notice.

Contents

Section	Page	Document	Section	Page	Document
W2020					
Roller lift arm ribbed (874)	6	SPD00874			
Roller lift arm plain (875)	8	SPD00875			
Cut & hold (876)	10	SPD00876			
Chassis (877)	12	SPD00877			
Dispenser drive (878)	14	SPD00878			
Dispenser arms (879)	16	SPD00879			
Spare Film Holder (1152)	18	SPD01152			
Dispenser (880)	20	SPD00880			
Side tip (881)	22	SPD00881			
Hydraulic layout W2020 (882)	24	SPD00882			
Hydraulic valve main control CVA00578 (883)	26	SPD00883			
Electrical control (886)	28	SPD00886			
Expert plus control unit (1075)	30	SPD01075			
Camera & monitor kit (1079)	32	SPD01079			
Decals (887)	34	SPD00887			

This page is intentionally left blank

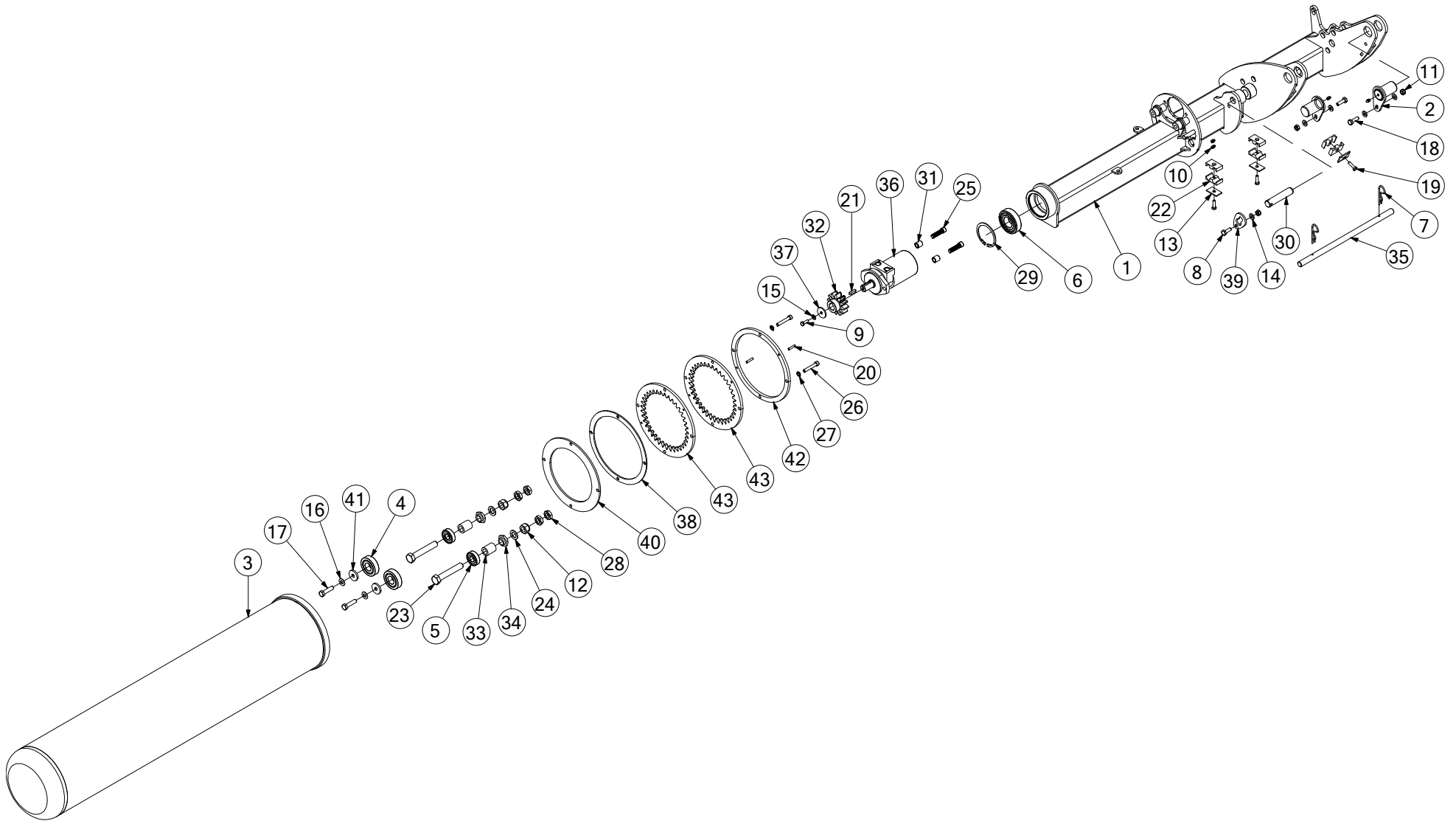
Roller lift arm ribbed (874)



No. Part No	Description	Qty
0 ALA00804	ROLLER ARM RIBBED COMP ASM W2020 (+100) <i>(INCLUDES ITEMS 1 THROUGH 43) REPLACES ALA00426</i>	1
1 KST00083	KIT ROLLER ARM RIBBED ASM W2020 (+100) <i>USED UP TO SERIAL No 875215</i>	1
1 ALA01048	LIFT ARM RIBBED ROLLER WELD W2020 (+100) ANGLE <i>USED FROM SERIAL No 875216 (REPLACES ALA00805)</i>	1
2 ALA00431	PIN 40X75 WELDED CAP Z/P	2
3 ARC00211	ROLLER RIBBED W2020 <i>USED UP TO SERIAL No 875215</i>	1
3 ARC00396	ROLLER RIBBED W2020 (+100) <i>USED FROM SERIAL No 875216</i>	1
4 CBR00052	BEARING 6306 <i>ORDER KIT REP00069 FOR MACHINES PRIOR TO SERIAL No 875116 (INCLUDES ITEMS 4, 5 ETC FOR BOTH LIFT ARMS)</i>	2
5 CBR00066	BEARING 6304 2RS	2
6 CBR00286	6308 2RS BEARING	1
7 CFA00004	R-CLIP 4MM	2
8 CFA00025	SETSCREW M10X30	1
9 CFA00102	SETSCREW M8X25 Z/P	1
10 CFA00118	GREASE NIPPLE M8X1.25 STRAIGHT	4
11 CFA00123	NUT M10 NYLOC	3
12 CFA00129	NUT M20 NYLOC	2
13 CFA00183	HOSE CLAMP COVER PLATE 14-18	3
14 CFA00201	WASHER FLAT 10 MM Z/P	5
15 CFA00249	WASHER SKM8	1
16 CFA00250	WASHER SKM12 <i>ORDER KIT REP00069 FOR MACHINES PRIOR TO SERIAL No 875116 (INCLUDES ITEMS 4, 5 ETC FOR BOTH LIFT ARMS)</i>	2
17 CFA00272	BOLT M12X50 Z/P <i>ORDER KIT REP00069 FOR MACHINES PRIOR TO SERIAL No 875116 (INCLUDES ITEMS 4, 5 ETC FOR BOTH LIFT ARMS)</i>	2
18 CFA00311	SETSCREW M10X35 Z/P	2
19 CFA00316	BOLT M8X30 Z/P	3
20 CFA00345	ROLL PIN 6X30 Z/P	2
21 CFA00359	KEY 8X7X30	1
22 CFA00370	HOSE CLAMP 18MM (2 PER SET)	6
23 CFA00395	BOLT M20X120 Z/P	2
24 CFA00413	WASHER FLAT 20MM Z/P	2
25 CFA00557	BOLT M12X50 SOC CAP Z/P	2
26 CFA00846	BOLT SOCKET CAP 10X55 <i>UP TO SERIAL No 875040</i>	4
26 CFA00664	BOLT M10X60 SOC CAP Z/P <i>FROM SERIAL No 875041</i>	4
27 CFA00798	WASHER M10 NORDLOC	4
28 CFA00848	NUT M20 THIN Z/P	4
29 CFA00903	CIRCLIP INTERNAL 20X1 DIN 472	1
30 CMH00387	PIN 25X120 MILLED FOR CAP Z/P	1
31 CMH00756	BUSH 12X20X20	2
32 CMH02367	GEAR PINION 12 TOOTH	1
33 CMH02370	BUSH 32X20X40 SPACER	2
34 CMH02371	ECCENTRIC BUSH	2
35 CMH02404	PIN 20X465 Z/P	1
36 CMT00070	MOTOR 260CC 2 BOLT 25 SHAFT	1
37 CZD02718	WASHER 8.5X40X4	1

No. Part No	Description	Qty
38 CZD04838	4MM L RING ROLLER END PLATE W2020 <i>CZD04838 & CZF06819 REPLACES CZH04460</i>	1
39 CZF00293	6MM L CAP SHORT FOR 25MM PINS	1
40 CZF06819	6MM L RING ROLLER END W2020 <i>CZD04838 & CZF06819 REPLACES CZH04460</i>	1
41 CZF06923	6MM L WASHER 12.5X40X6 <i>ORDER KIT REP00069 FOR MACHINES PRIOR TO SERIAL No 875116 (INCLUDES ITEMS 4, 5 ETC FOR BOTH LIFT ARMS)</i>	2
42 CZH04455	10MM PLATE LINKAGE WRAPPER	1
43 CZH04456	GEAR INTERNAL	2

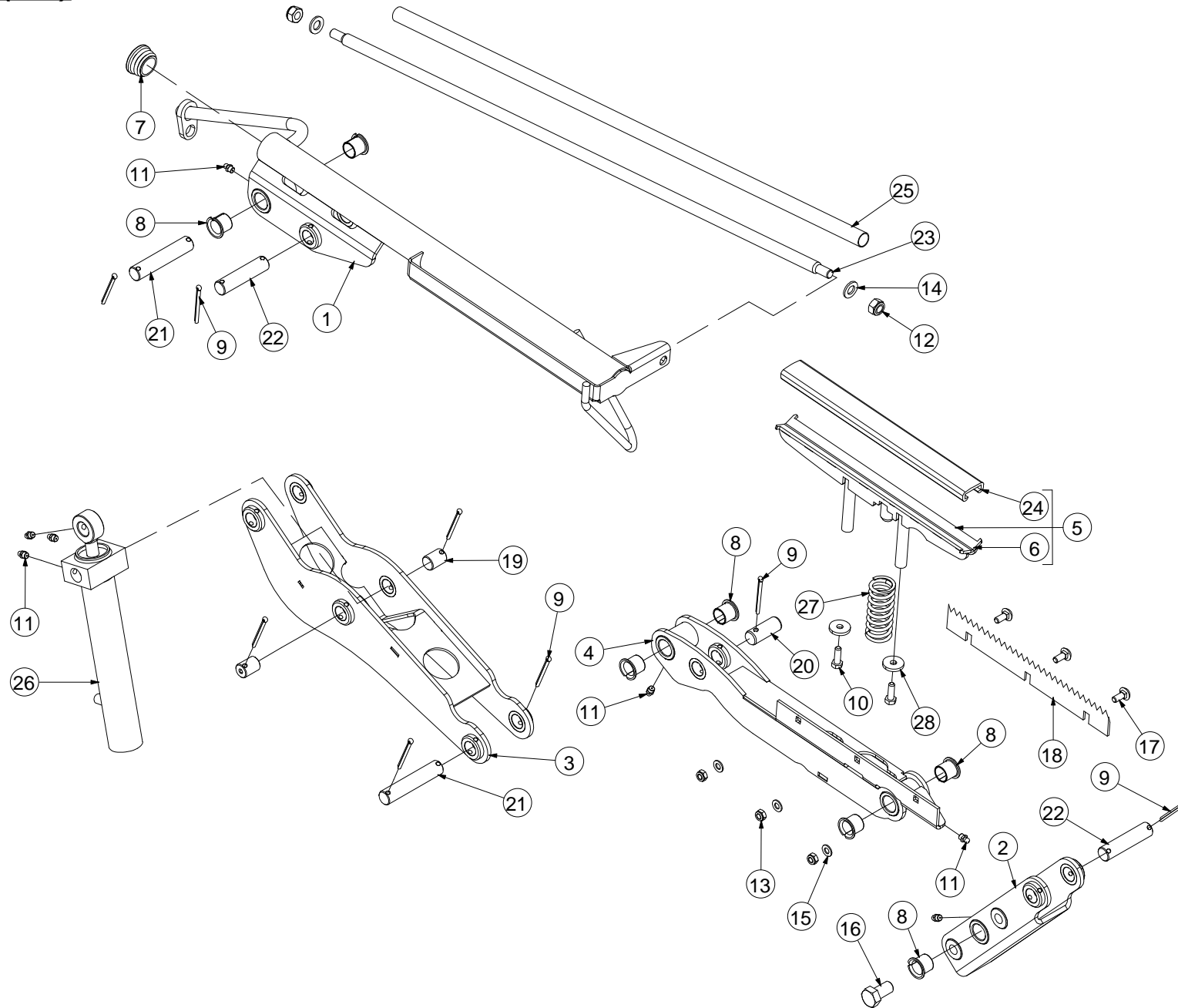
Roller lift arm plain (875)



No. Part No	Description	Qty
0 ALA00738	ROLLER ARM PLAIN COMP ASM W2020(+100) <i>(INCLUDES ITEMS 1 THROUGH 43) REPLACES ALA00424</i>	1
1 KST00082	KIT ROLLER ARM PLAIN ASM W2020(+100) <i>USED UP TO SERIAL No 875215</i>	1
1 ALA01047	LIFT ARM PLAIN ROLLER WELD W2020 (+100) ANGLE <i>USED FROM SERIAL No 875216 (REPLACES ALA00739)</i>	1
2 ALA00431	PIN 40X75 WELDED CAP Z/P	2
3 ARC00212	ROLLER PLAIN W2020 <i>USED UP TO SERIAL No 875215</i>	1
3 ARC00376	ROLLER PLAIN W2020 (+100) <i>USED FROM SERIAL No 875216</i>	1
4 CBR00052	BEARING 6306 <i>ORDER KIT REP00069 FOR MACHINES PRIOR TO SERIAL No 875116 (INCLUDES ITEMS 4, 5 ETC FOR BOTH LIFT ARMS)</i>	2
5 CBR00066	BEARING 6304 2RS	2
6 CBR00286	6308 2RS BEARING	1
7 CFA00004	R-CLIP 4MM	2
8 CFA00025	SETSCREW M10X30	1
9 CFA00102	SETSCREW M8X25 Z/P	1
10 CFA00118	GREASE NIPPLE M8X1.25 STRAIGHT	4
11 CFA00123	NUT M10 NYLOC	3
12 CFA00129	NUT M20 NYLOC	2
13 CFA00183	HOSE CLAMP COVER PLATE 14-18	3
14 CFA00201	WASHER FLAT 10 MM Z/P	5
15 CFA00249	WASHER SKM8	1
16 CFA00250	WASHER SKM12 <i>ORDER KIT REP00069 FOR MACHINES PRIOR TO SERIAL No 875116 (INCLUDES ITEMS 4, 5 ETC FOR BOTH LIFT ARMS)</i>	2
17 CFA00272	BOLT M12X50 Z/P <i>ORDER KIT REP00069 FOR MACHINES PRIOR TO SERIAL No 875116 (INCLUDES ITEMS 4, 5 ETC FOR BOTH LIFT ARMS)</i>	2
18 CFA00311	SETSCREW M10X35 Z/P	2
19 CFA00316	BOLT M8X30 Z/P	3
20 CFA00345	ROLL PIN 6X30 Z/P	2
21 CFA00359	KEY 8X7X30	1
22 CFA00370	HOSE CLAMP 18MM (2 PER SET)	6
23 CFA00395	BOLT M20X120 Z/P	2
24 CFA00413	WASHER FLAT 20MM Z/P	2
25 CFA00557	BOLT M12X50 SOC CAP Z/P	2
26 CFA00846	BOLT SOCKET CAP 10X55 <i>UP TO SERIAL No 875040</i>	4
26 CFA00664	BOLT M10X60 SOC CAP Z/P <i>FROM SERIAL No 875041</i>	4
27 CFA00798	WASHER M10 NORDLOC	4
28 CFA00848	NUT M20 THIN Z/P	4
29 CFA00903	CIRCLIP INTERNAL 20X1 DIN 472	1
30 CMH00387	PIN 25X120 MILLED FOR CAP Z/P	1
31 CMH00756	BUSH 12X20X20	2
32 CMH02367	GEAR PINION 12 TOOTH	1
33 CMH02370	BUSH 32X20X40 SPACER	2
34 CMH02371	ECCENTRIC BUSH	2
35 CMH02404	PIN 20X465 Z/P	1
36 CMT00070	MOTOR 260CC 2BOLT 25SHAFT	1
37 CZD02718	WASHER 8.5X40X4	1

No. Part No	Description	Qty
38 CZD04838	4MM L RING ROLLER END PLATE W2020 <i>CZD04838 & CZF06819 REPLACES CZH04460</i>	1
39 CZF00293	6MM L CAP SHORT FOR 25MM PINS	1
40 CZF06819	6MM L RING ROLLER END W2020 <i>CZD04838 & CZF06819 REPLACES CZH04460</i>	1
41 CZF06923	6MM L WASHER 12.5X40X6 <i>ORDER KIT REP00069 FOR MACHINES PRIOR TO SERIAL No 875116 (INCLUDES ITEMS 4, 5 ETC FOR BOTH LIFT ARMS)</i>	2
42 CZH04455	10MM PLATE LINKAGE WRAPPER	1
43 CZH04456	GEAR INTERNAL	2

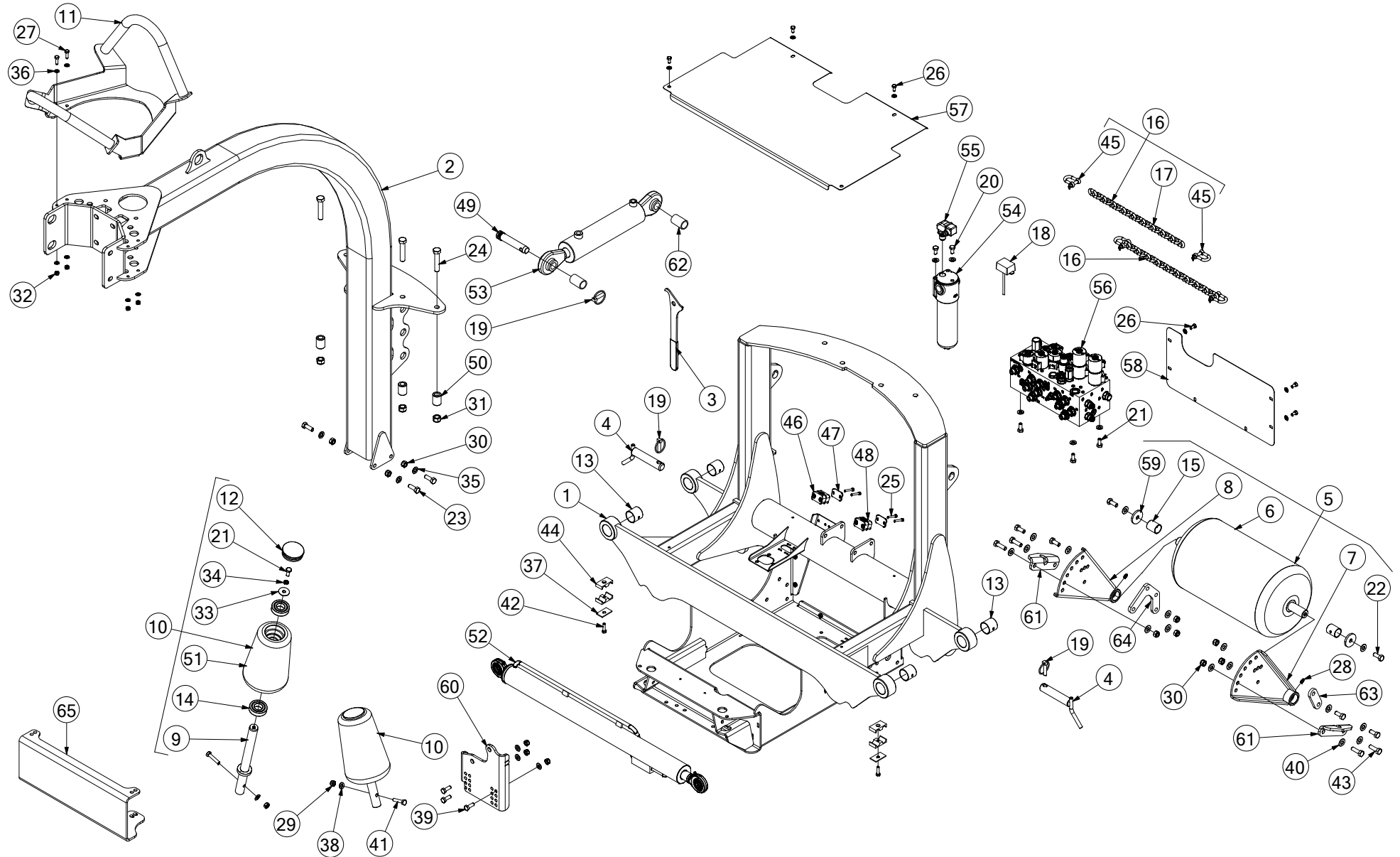
Cut & hold (876)



No.	Part No	Description	Qty
0	ACT00055	CUT & TIE COMPLETE ASSEMBLY	1
<i>INCLUDES ITEMS 1 THROUGH 28</i>			
1	ACT00056	CUT & HOLD TOP PIPE BEAM	1
2	ACT00057	CUT & TIE FIXED BEAM	1
3	ACT00058	CUT & TIE BOTTOM MOVING BEAM	1
4	ACT00059	CUT & TIE KNIFE BEAM	1
5	ACT00068	CUT & TIE CLAMP COMPLETE WITH RUBBER	1
<i>INCLUDES ITEMS 6 & 24</i>			
6	ACT00069	CLAMP PIECE WELD ASSY CUT & TIE W2020	1
7	CBC00005	CAP PLASTIC INSERT 42.4MM RND	1
8	CBR00298	BEARING GLACIER	8
9	CFA00013	SPLIT PIN 5X50 Z/P	12
10	CFA00102	SETSCREW M8X25 Z/P	2
11	CFA00118	GREASE NIPPLE M8X1.25 STRAIGHT	7
12	CFA00124	NUT M12 NYLOC	2
13	CFA00132	NUT M8 NYLOC Z/P	3
14	CFA00138	WASHER FLAT 12MM Z/P	2
15	CFA00147	WASHER FLAT 8MM Z/P	3
16	CFA00399	SETSCREW M16X30 Z/P	2
17	CFA00506	SETSCREW M8X20 CUPHEAD SQ ZP	3
18	CKN00023	KNIFE CUT & TIE	1
19	CMH02380	PIN 20X27 MACHINED Z/P	2
20	CMH02381	PIN 20X50 MACHINED Z/P	1
21	CMH02472	PIN 20X101.5 CUT&TIE	2
22	CMH02473	PIN 20X83.5 CUT&TIE	2
23	CMH02558	THREADED SHAFT CUT&TIE W2020	1
24	CPL00163	RUBBER GRIPPER CUT&TIE W2020	1
25	ACT00085	CUT & HOLD PIPE ASSEMBLY	1
26	CRA00627	RAM 35X16 CUT&TIE W2020	1
<i>ALSO ORDER 1 OF EACH CVA00277, CHY00015 & CHY02010 FOR MACHINES PRIOR TO SERIAL NO 875040</i>			
26a	CSE00621	SEAL KIT 35-16-38 FOR RAM CRA00627	1
<i>SEAL KIT FOR RAM CRA00627</i>			
27	CSG00274	SPRING COMPRESSION 35X85X4.47	1
28	CZD02678	4MM L WASHER PART NET UNIT	2

No.	Part No	Description	Qty
-----	---------	-------------	-----

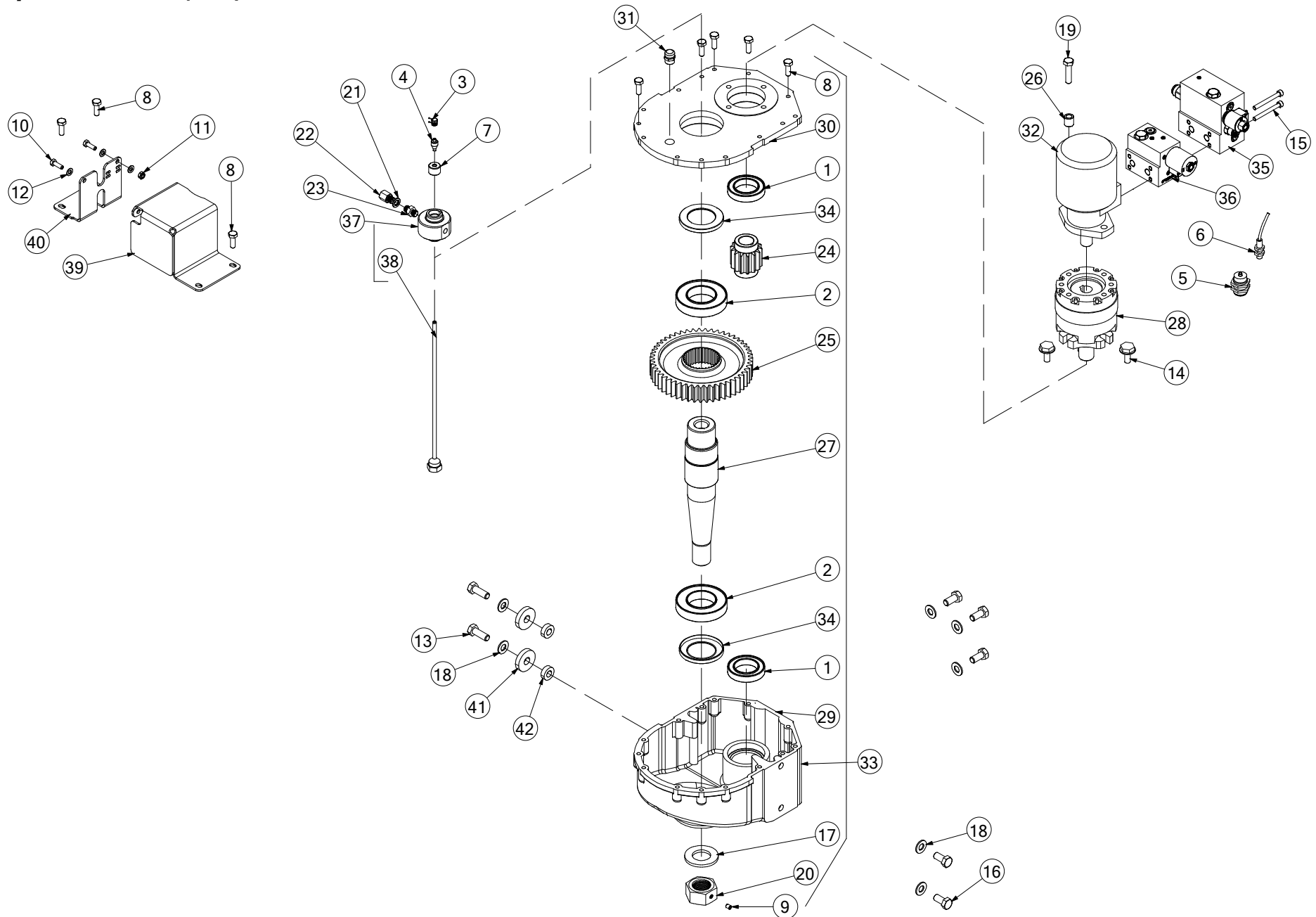
Chassis (877)



No.	Part No	Description	Qty
1	ACH02464	CHASSIS WELD ASSEMBLY W2020	1
2	ACH02467	ARCH WELD ASSEMBLY W2020	1
3	ADP00270	DISPENSER LATCH HANDLE LINKAGE WRAPPER	1
4	ALA00669	PIN LOWER LINK WELDED 28.2X138	2
5	ARC00224	SUPPORT ROLLER LINKAGE WRAPPER	1
<i>INCLUDES ITEMS 6, 7, 8, 15, 22, 28 & 59</i>			
6	ARC00225	GROUND SUPPORT ROLLER LINKAGE WRAPPER	1
7	ARC00383	GROUND SUPPORT BRACKET WELD ASSEMBLY W2020	1
<i>FOR MACHINES PRIOR TO SERIAL No 875216 ORDER QTY 2 (REPLACES LH BRACKET ARC00226)</i>			
8	ARC00383	GROUND SUPPORT BRACKET WELD ASSEMBLY W2020	1
<i>FOR MACHINES PRIOR TO SERIAL No 875216 ORDER QTY 2 (REPLACES RH BRACKET ARC00233)</i>			
9	ART00005	BOBBIN AXLE SHAFT	2
10	ART00044	BOBBIN ASSY COMBI 20	2
<i>INCLUDES ITEMS 9, 12, 14, 21, 33, 34 & 51</i>			
11	ATR00044	TOP MOTOR GUARD W2020	1
12	CBC00008	CAP PLASTIC INSERT 75MM	2
13	CBR00082	BEARING GLACIER PM 4040 SY	4
14	CBR00024	BEARING 62062RS	4
15	CBR00032	BEARING GLACIER PM 3040 DX	2
16	CCH02053	CHAIN LINK ASSEMBLY 8MM	2
<i>INCLUDES ITEMS 17 & 45</i>			
17	CCH02056	8MM SHORT LINK (DIN 766)	1
<i>COMPRISED OF 19 LINKS</i>			
18	CEL00193	MODULE CONSTANT CURRENT	1
19	CFA00005	LINCH PIN 10MM	3
20	CFA00023	SETSCREW M10X20 Z/P	3
21	CFA00024	SETSCREW M10X25 Z/P	6
22	CFA00032	SETSCREW M12X30 Z/P	4
23	CFA00033	SETSCREW M12X35 Z/P	4
24	CFA00043	BOLT M16X80	4
25	CFA00099	SETSCREW M6X40 Z/P	4
26	CFA00101	SETSCREW M8X16 Z/P	10
27	CFA00102	SETSCREW M8X25 Z/P	4
28	CFA00118	GREASE NIPPLE M8X1.25 STRAIGHT	2
29	CFA00123	NUT M10 NYLOC	6
30	CFA00124	NUT M12 NYLOC	12
31	CFA00128	NUT M16 NYLOC	4
32	CFA00132	NUT M8 NYLOC Z/P	4
33	CFA00134	WASHER MUDWING M10X38MM OD	2
34	CFA00137	WASHER SPRING 10MM H.D Z/P	2
35	CFA00138	WASHER FLAT 12MM Z/P	4
36	CFA00147	WASHER FLAT 8MM Z/P	18
37	CFA00183	HOSE CLAMP COVER PLATE 14-18	4
38	CFA00201	WASHER FLAT 10 MM Z/P	13
39	CFA00230	SETSCREW M10X30 Z/P	4
40	CFA00250	WASHER SKM12	18
41	CFA00310	BOLT M10X50 Z/P	2
42	CFA00316	BOLT M8X30 Z/P	4
43	CFA00272	BOLT M12X50 Z/P	6
44	CFA00370	HOSE CLAMP 18MM (2 PER SET)	8

No.	Part No	Description	Qty
45	CFA00457	D SHACKLE 0.375 GALVANISED	4
46	CFA00979	HOSE CLAMP PAIR 20MM SINGLE	1
47	CFA00980	HOSE CLAMP COVER PLATE SINGLE	2
48	CFA00981	HOSE CLAMP PAIR 25MM SINGLE	1
49	CMH00015	PIN 25.4X135MM TOP LINK	1
50	CMH01028	BUSH 17X30X39	4
51	CPL00038	BOBBIN ASY FUS/HS2000	2
52	CRA00624	RAM 60X32 LIFT ARMS W2020	1
<i>ALSO ORDER 2x CHY02008 ADAPTORS 1/2M X 3/8M FOR MACHINES PRIOR TO SERIAL No 875141</i>			
52a	CSE00620	SEAL KIT 60-32 FOR RAM CRA00624	1
<i>FROM SERIAL No 875021 ON (SEAL KIT FOR RAM CRA00624)</i>			
53	CRA00698	HYDRAULIC TOP LINK 510MM (20) CAT2	1
53a	CSE00625	SEAL KIT 70-35 FOR TOP LINK CRA00698	1
<i>SEAL KIT FOR TOP LINK CRA00698</i>			
53b	CHY02798	HOSE KIT TOP LINK W2020	1
<i>HOSE KIT FOR TOP LINK CRA00698</i>			
54	KST00077	FILTER UNIT W2020 TO SER875290	1
<i>UP TO SERIAL No 875290</i>			
54	CVA00688	FILTER IN-LINE MEDIUM PRESSURE	1
<i>FROM SERIAL No 875291 (REPLACES CVA00315)</i>			
54	CVA00316	FILTER ELEMENT FOR CVA00315 & 688	1
<i>FILTER ELEMENT FOR CVA00315 & CVA00688</i>			
55	CVA00362	FILTER BLOCKED SWITCH	1
<i>UP TO SERIAL No 875290</i>			
55	CVA00689	FILTER BLOCKED SENSOR	1
<i>FROM SERIAL No 875291</i>			
56	CVA00578	VALVE CONTROL 2010 WRAPPER	1
57	CZB04318	1.5MM L GUARD TOP PLATE W20	1
58	CZB04319	1.5MM L GUARD BACK PLATE W20	1
59	CZF02660	6MM L 998 FRONT CONVEYER	2
60	CZG04338	8MM L PLATE CUT&TIE	1
61	CZG04413	8MM L PLATE LIFT ARM CHAIN W2020	2
62	CMH02854	BUSH 32X25.4X50.8 CONVERT CAT2 TO CAT3	2
63	CZG04973	8MM L SUPPORT PLATE OUTER W2020	2
64	CZG04974	8MM L SUPPORT PLATE INNER W2020	2
65	CZF06407	6MM L BALE STOP PLATE W2020	1

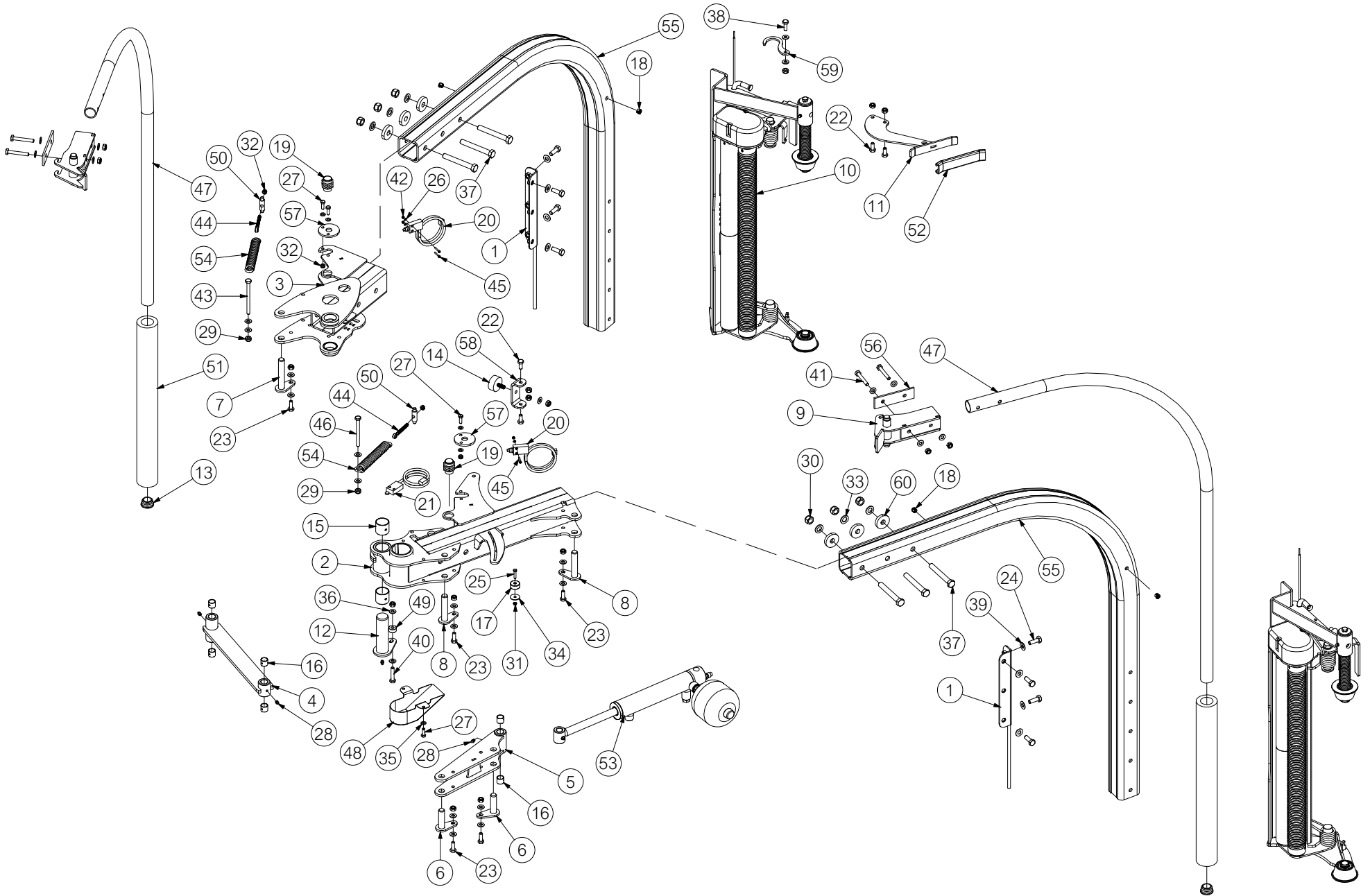
Dispenser drive (878)



No.	Part No	Description	Qty
Item	Part Code	Description	Qty
1	CBR00047	BEARING 6010 SNR	2
2	CBR00048	BEARING 6212 2RS	2
3	CEL00045	CON ASY SLIPRING 2 WAY TOP	1
4	CEL00047	SLIPRING ROTARY CON	1
5	CEL00299	RECEIVER NPN ELECTROMAGNETIC M18 SECATEC	1
6	CEL00745	SENSOR MAGNETIC REED 300MM CABLE	1
7	CEL00881	SLIPRING ASSY BOTTOM W2020	1
8	CFA00025	SETSCREW M10X30	14
9	CFA00051	GRUBSCREW M8X10	1
10	CFA00102	SETSCREW M8X25 Z/P	2
11	CFA00132	NUT M8 NYLOC Z/P	2
12	CFA00147	WASHER FLAT 8MM Z/P	4
13	CFA00221	SETSCREW M14X40 Z/P	2
14	CFA00276	SETSCREW M12X30 FLD ZP	4
15	CFA00318	BOLT M8X75 SOC CAP Z/P	4
15	CFA00976	BOLT SOC CAP M8X140 DIN912	4
<i>USED ON MACHINES WITH DISPENSER REVERSE OPTION ONLY</i>			
16	CFA00398	SETSCREW M14X30 Z/P	6
17	CFA00412	WASHER 39X72X6	1
18	CFA00449	WASHER SKM14	8
19	CFA00893	BOLT M12X50X10.9	1
20	CFA00930	NUT GEARBOX	1
21	CHY00015	WASHER DOWTY 1/4"	2
22	CHY00108	ADAPTOR 1/4" BSP M/F L20	1
23	CHY02010	ADAPTOR 1/4" BSP M/M	1
24	CMH00409	GEAR SPUR XM 14T COMBI GEARBOX	1
25	CMH00410	GEAR SPUR COMBI GEARBOX	1
26	CMH00756	BUSH 12X20X20	2
27	CMH02502	SHAFT GEARBOX	1
28	CMT00004	BRAKE UNIT HYDRAULIC	1
29	CMT00034	GEARBOX CASTING TOP/REDUCTION	1
30	CMT00040	GEAR BOX COVER PLATE COMBI	1
31	CMT00075	BREATHER PLUG	1
32	CMT00262	MOTOR 140CC 25MM SHAFT	1
32a	CSE00117	SEAL O-RING 18X2 NBR 80	2
<i>SEAL AGAINST ITEM 35 OR 36</i>			
32b	CEL00810	HYDRAULIC MOTOR SPEED SENSOR	1
<i>SENSOR FOR CMT00262 & CMT00410 MOTORS</i>			
33	CMT00274	GEARBOX DISPENSER W20	1
<i>INCLUDES ITEMS 1, 2, 8, 9, 17, 20, 24, 25, 27, 29, 30 & 34</i>			
34	CSE00095	SEAL GEARBOX COMBI	2
35	CVA00594	VALVE TOP MOTOR DISPENSER	1
36	CVA00596	VALVE REVERSER SLICE	1
<i>USED ON MACHINES WITH DISPENSER REVERSE OPTION ONLY</i>			
36a	CHY00108	ADAPTOR 1/4" BSP M/F L20	1
<i>USED ON MACHINES WITH DISPENSER REVERSE OPTION ONLY</i>			
36b	CHY00015	WASHER DOWTY 1/4"	1
<i>USED ON MACHINES WITH DISPENSER REVERSE OPTION ONLY</i>			
36c	CSE00171	SEAL O-RING 18X2 NBR 80	2

No.	Part No	Description	Qty
<i>USED ON MACHINES WITH DISPENSER REVERSE OPTION ONLY (SEALS AGAINST ITEM 35)</i>			
37	CVA00615	HYDRAULIC SLIP RING ASSEMBLY	1
<i>INCLUDES ITEM 38</i>			
37a	CSE00662	SEAL KIT FOR CVA00615	1
38	CVA00617	HYDRAULIC SLIP RING PIPE	1
39	CZD04736	4MM L SLIP RING GUARD W2020	1
40	CZD04760	4MM L SLIP RING BRACKET W2020	1
41	CZH00128	10MM L BALE HANDLER	2
42	CZH02210	10MM L WASHER 15X30X10	2

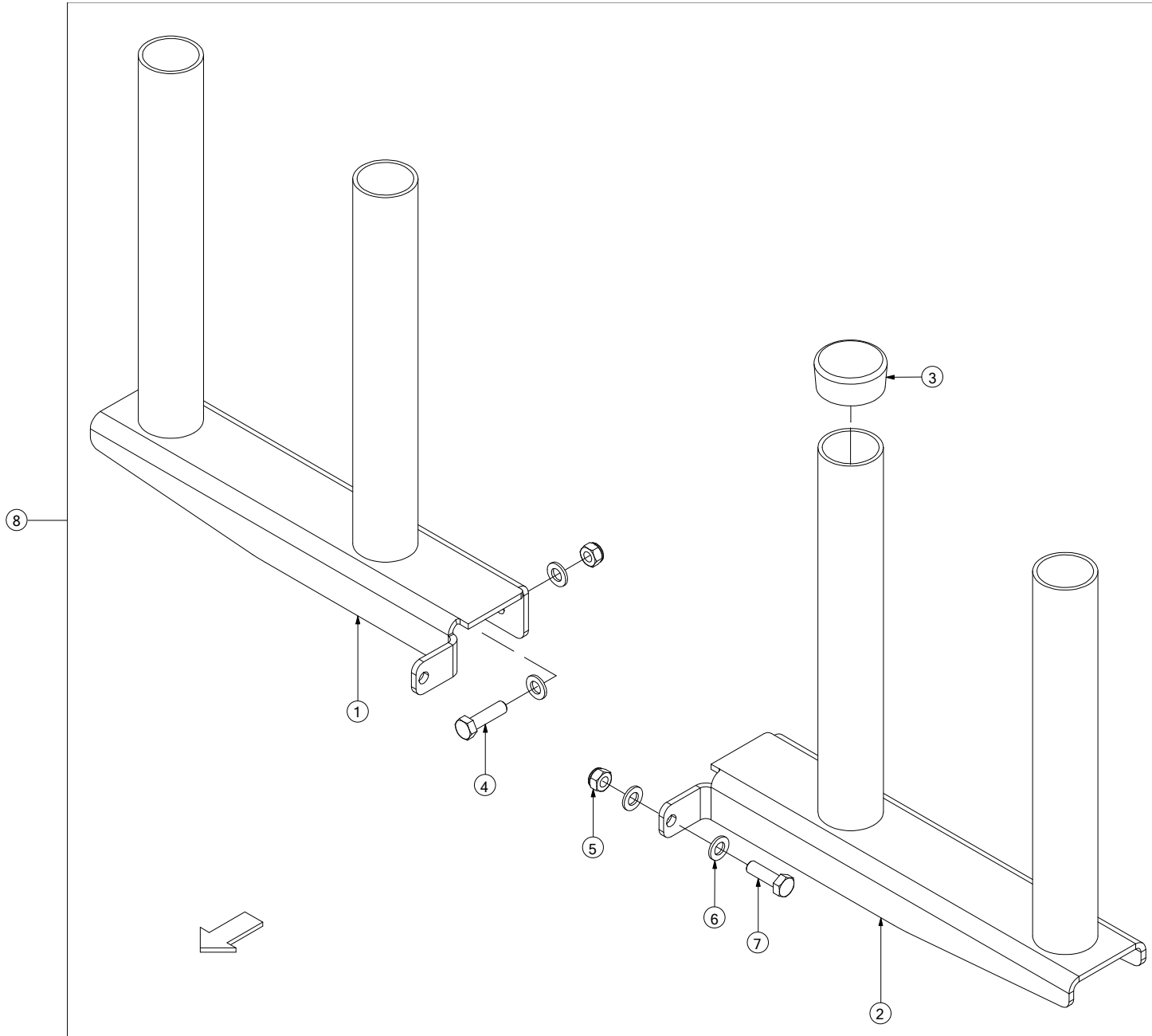
Dispenser arms (879)



No.	Part No	Description	Qty
1	ADP00120	DISPENSER BACK ASSY HS2000	2
2	ADP00184	DISPENSER FOLDING MAIN BEAM	1
3	ADP00185	DISPENSER FOLDING SHORT BEAM	1
4	ADP00186	DISPENSER FOLDING 10MM LINK PART	1
5	ADP00187	FOLDING DISPENSER RAM LINK BAR	1
6	ADP00191	PIN 20X80 WELDED CAP Z/P	2
7	ADP00192	PIN 20X126 WELDED CAP Z/P	1
8	ADP00193	PIN 20X108 WELDED CAP Z/P	2
9	ADP00213	TRIP ARM TUBE HOLDER W2020	2
10	ADP00254	DISPENSER FIXED ROLL COMP ASSY W2020	2
11	ADP00257	TRIP ARM PUSH BRACKET	1
12	ADP00307	PIN 40X150 WELDED CAP Z/P DISPENSER HINGE W2020	1
<i>ORDER KIT REP00067 FOR MACHINES PRIOR TO SERIAL No 875116 (INCLUDES ITEMS 29, 36, 40 & 49)</i>			
13	CBC00005	CAP PLASTIC INSERT 42.4MM RND	2
14	CBE00002	BUFFER RUBBER 50X21 M10X28	1
15	CBR00082	BEARING GLACIER PM 4040 SY	2
16	CBR00096	BEARING GLACIER PM 2020 DX	6
17	CEL00017	MAGNET BLUE WHEEL	1
18	CEL00061	BUSH SNAP 8.2X13 NYLON	4
19	CEL00300	TRANSMITTER ELECTROMAGNETIC M18 SECATEC	2
20	CEL00704	SWITCH LIMIT SEALED SMALL 1M CABLE	2
21	CEL00789	SWITCH LIMIT ROLLER 650MM CABLE	1
22	CFA00024	SETSCREW M10X25 Z/P	4
23	CFA00025	SETSCREW M10X30	5
24	CFA00033	SETSCREW M12X35 Z/P	12
25	CFA00047	SETSCREW M6X30 Z/P	1
26	CFA00083	WASHER FLAT 4MM Z/P	4
27	CFA00102	SETSCREW M8X25 Z/P	6
28	CFA00118	GREASE NIPPLE M8X1.25 STRAIGHT	4
29	CFA00123	NUT M10 NYLOC	18
30	CFA00128	NUT M16 NYLOC	6
31	CFA00131	NUT M6 NYLOC	1
32	CFA00132	NUT M8 NYLOC Z/P	8
33	CFA00140	WASHER FLAT 16MM Z/P	6
34	CFA00145	WASHER MUDWING M6 32MM OD	1
35	CFA00147	WASHER FLAT 8MM Z/P	12
36	CFA00201	WASHER FLAT 10 MM Z/P	27
37	CFA00209	BOLT M16X120 Z/P	6
38	CFA00230	SETSCREW M10X30 Z/P GRADE 12.9	1
39	CFA00250	WASHER SKM12	12
40	CFA00310	BOLT M10X50 Z/P	1
41	CFA00383	BOLT M10X70 Z/P	4
42	CFA00392	NUT M4 NYLOC	4
43	CFA00793	BOLT M10X130 Z/P	1
44	CFA00887	EYE BOLT M8X80	2
45	CFA00923	M4X25 BOLT SOC CAP	4
46	CFA00957	BOLT M10X110 Z/P	1
47	CGD00018	TRIP ARM TUBE HS2000	2
48	CGD00262	DISPENSER GUARD LINKAGE WRAPPER	1

No.	Part No	Description	Qty
49	CMH01329	BUSH 10X25X12	1
50	CMH02459	PIN 16X60 SPRING HOLDER TRIP ARM	2
51	CPL00028	INSULATION SAFETY BAR	2
52	CPL00161	PLASTIC PROFILE	1
53	CRA00632	RAM 50X25 FOLDING DISPENSER	1
53a	CSE00622	SEAL KIT 50-25 FOR RAM CRA00632	1
<i>SEAL KIT FOR RAM CRA00632</i>			
53b	CVA00577	ACCUMULATOR 1LT 50BAR LINKAGE WRAPPER	1
53c	CHY02013	ADAPTOR 1/2" BSP M/M	1
53d	CHY00053	WASHER DOWTY 1/2"	2
54	CSG00262	SPRING TENSION 29X205X5.38	2
55	CXB00181	BOX 82X82X6 ALUMINIUM BENT90	2
56	CZF02356	6MM L DISPENSER ARM ASSY	2
57	CZF05493	6MM L PLATE	2
58	CZF05601	6MM L PLATE	1
59	CZF05904	6MM L PLATE	1
60	CZH00128	10MM L BALE HANDLER	6

Spare Film Holder (1152)

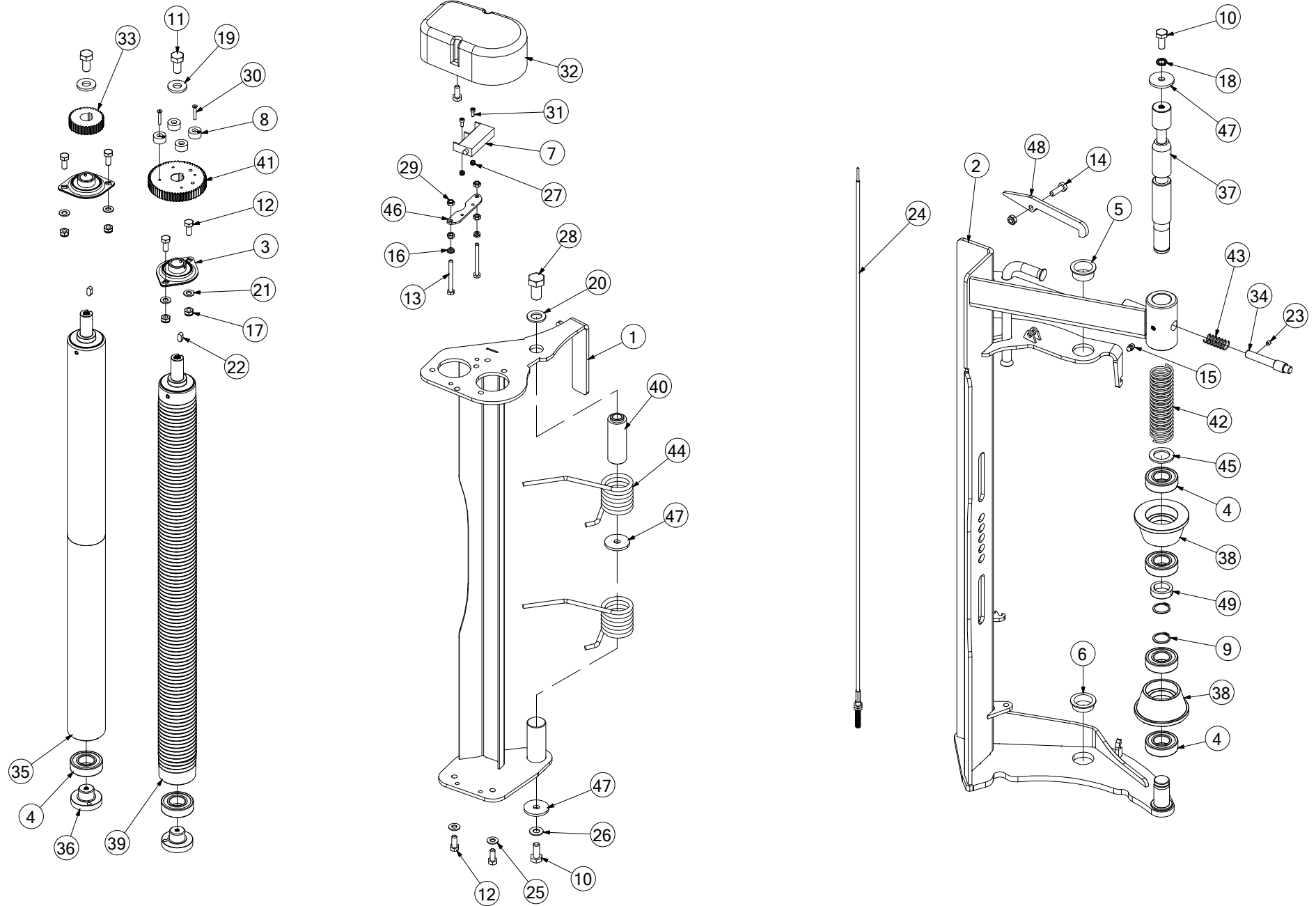


No.	Part No	Description	Qty
Item	Part Code	Description	Qty
1	ACH03046	SPARE FILM HOLDER W2020 RH WELD ASSEM	1
2	ACH03060	SPARE FILM HOLDER W2020 LH WELD ASSEM	1
3	CBC00007	CAP BLACK PLASTIC 2 3/8 OSF	4
4	CFA00079	BOLT M12X45 Z/P	4
5	CFA00124	NUT M12 NYLOC	6
6	CFA00138	WASHER FLAT 12MM Z/P	12
7	CFA00297	BOLT M12X40 Z/P	2
8	KST00095	SPARE FILM HOLDER OPTION W2020	1

FROM SERIAL No.875396

No.	Part No	Description	Qty
-----	---------	-------------	-----

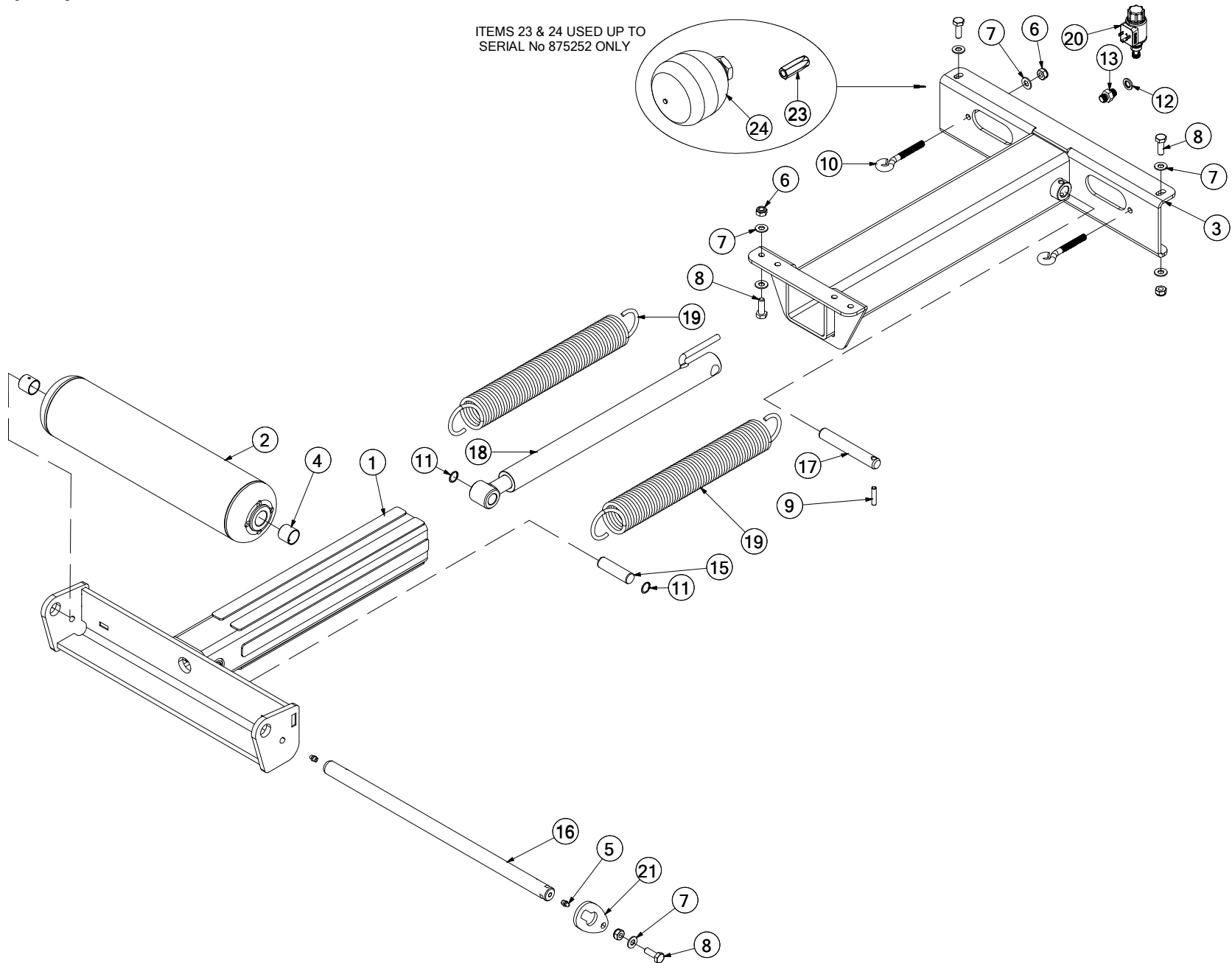
Dispenser (880)



No.	Part No	Description	Qty
0	ADP00254	DISPENSER FIXED ROLL COMP ASSY	1
<i>INCLUDES ITEMS 1 THROUGH 49</i>			
1	ADP00255	DISPENSER WELD ASSY	1
2	ADP00256	DISPENSER WELD ASSY	1
3	CBR00004	BEARING 20MM 2BOLT P/S FLANGE	2
4	CBR00009	BEARING 6205 2RS	6
5	CBR00068	BEARING 30X34X16 STEPPED PLAS	1
6	CBR00107	BEARING STEPPED PLAS 30X34X12	1
7	CEL00349	PICKUP FILM BREAK SAT. LINKAGE WRAPPER	1
8	CEL00735	MAGNET 20MM DIA X 10MM. COUNTERSUNK BOTH SIDES	4
9	CFA00001	CIRCLIP 25MM EXTERNAL Z/P	2
10	CFA00024	SETSCREW M10X25 Z/P	2
11	CFA00031	SETSCREW M12X25 Z/P	2
12	CFA00052	SETSCREW M8X20 Z/P	8
13	CFA00054	SETSCREW M6X60 Z/P	2
14	CFA00102	SETSCREW M8X25 Z/P	1
15	CFA00118	GREASE NIPPLE M8X1.25 STRAIGHT	1
16	CFA00131	NUT M6 NYLOC	2
17	CFA00132	NUT M8 NYLOC Z/P	5
18	CFA00137	WASHER SPRING 10MM H.D Z/P	1
19	CFA00139	WASHER FLAT 12MM H/D Z/P	2
20	CFA00140	WASHER FLAT 16MM Z/P	1
21	CFA00147	WASHER FLAT 8MM Z/P	4
22	CFA00153	KEY 6X6X15	2
23	CFA00208	GRUBSCREW M6X6 Z/P	1
24	CFA00242	CABLE ROLLER RELEASE 1095	1
25	CFA00249	WASHER SKM8	2
26	CFA00251	WASHER SKM10	1
27	CFA00392	NUT M4 NYLOC	2
28	CFA00399	SETSCREW M16X30 Z/P	1
29	CFA00473	NUT M6 STD Z/P	4
30	CFA00741	BOLT M4X25 CSK HEAD	4
31	CFA02272	SETSCREW M4X10 SOC CAP SS	2
32	CGD00001	GUARD DISPENSER GEARS	1
33	ADP00276	KIT DISPENSER GEARS 64% W2020	1
<i>USED FOR OPTIONAL (64%) MACHINES (CMH00096)</i>			
33	ADP00311	KIT DISPENSER GEARS 70% W2020	1
<i>USED FOR STANDARD (70%) MACHINES (CMH00175)</i>			
34	CMH00197	PIN 16X84 STEPPED Z/P	1
35	CMH00580	ROLLER DISPENSER SECONDARY KNURLED	1
36	CMH00583	PIN 50X27 STEPPED 25	2
37	CMH00619	PIN 30X280 STEPPED Z/P	1
38	CMH00785	COIL ROLLER (2 BEARING TYPE)	2
39	CMH02320	ALLUMINIUM DISPENSER ROLLER ASSEMBLY	1
40	CMH02488	PIN 30X83 DISPENSER	1
41	ADP00276	KIT DISPENSER GEARS 64% W2020	1
<i>USED FOR OPTIONAL (64%) MACHINES (CMK00002)</i>			
41	ADP00311	KIT DISPENSER GEARS 70% W2020	1
<i>USED FOR STANDARD (70%) MACHINES (CMK00001)</i>			
42	CSG00009	SPRING COMP 2.95X37X197X12	1

No.	Part No	Description	Qty
43	CSG00010	SPRING COMP 1.625X16X40X8	1
44	CSG00288	SPRING TORSION 6.35X48 DISPENSER W2020	2
<i>REPLACES CSG00041</i>			
45	CZC00112	3MM L DISPENSER SPACER	1
46	CZC04544	3MM L PLATE FILM SENSOR W2020	1
47	CZD00118	4MM L CUT& TIE SPACER	3
48	CZF05716	6MM L DISPENSER HOLDER LATCH	1
49	CZH02376	10MM L WASHER 25.5X35 995 LM	1

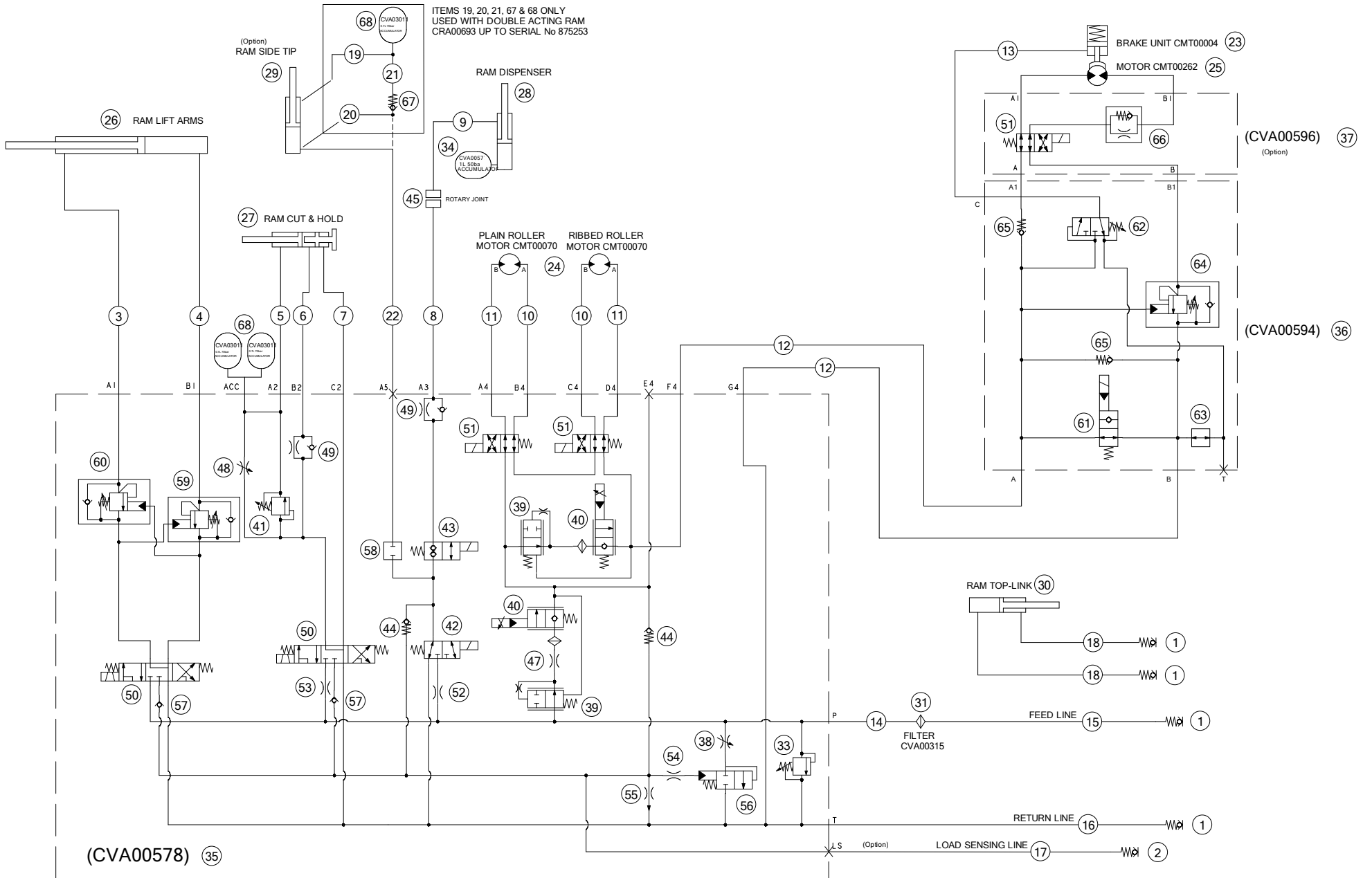
Side tip (881)



No.	Part No	Description	Qty
0	ARC00232	SIDE TIP ASSEMBLY W2020 <i>INCLUDES ITEMS 1 THROUGH 21. UP TO SERIAL NO. 875020 ALSO ORDER KST00063 X1.</i>	1
1	ARC00317	SIDE TIP ROLLER HOLDER	1
2	ARC00318	END TIP ROLLER	1
3	ARC00319	END TIP FRAME	1
4	CBR00039	BEARING GLACIER PM 2525 DX	2
5	CFA00118	GREASE NIPPLE M8X1.25 STRAIGHT	2
6	CFA00123	NUT M10 NYLOC	9
7	CFA00201	WASHER FLAT 10 MM Z/P	15
8	CFA00230	SETSCREW M10X30 Z/P GRADE 12.9	7
9	CFA00354	ROLL PIN 8X35 Z/P	1
10	CFA00773	BOLT EYE M10X95 <i>FROM SERIAL No 875253</i>	2
11	CFA00927	CIRCLIP 52MM INTERNAL DIN 472	2
12	CHY00015	WASHER DOWTY 1/4"	1
13	CHY02010	ADAPTOR 1/4" BSP M/M	1
14	CHY02999	HA04-0740WJ-F0400N-F0490B-000 <i>HYDRAULIC HOSE NOT SHOWN</i>	1
15	CMS00001	PIN 20X72 END TIP W20	1
16	CMS00002	PIN 25X550 SIDE TIP W2020	1
17	CMS00004	20X136 C/W HOLE SIDE TIP W2020	1
18	CRA00783	RAM SIDE TIP W2020	1
18a	CSE00626	SEAL KIT 32-25 FOR SIDETIP RAM <i>SEAL KIT FOR W2020 SIDETIP RAM</i>	1
19	CSG00281	SPRING EXTENSION 6.4X60X455 <i>FROM SERIAL No. 875253</i>	2
20	KST00063	SIDE TIP EXTRA PARTS W2020 UP TO SERIAL NO. 875020 <i>UP TO SERIAL No. 875020</i>	1
20	CVA00338	VALVE CTE DOUBLE CHECK NC <i>FROM SERIAL No. 875021</i>	1
21	CZF00292	6MM L CAP LONG FOR 25MM PINS	1
23	CVA03009	VALVE DUMP 60 BAR <i>UP TO SERIAL No 875252</i>	1
24	CVA03011	ACCUMULATOR 0.7 LITRE 70 BAR <i>UP TO SERIAL No 875252</i>	1

No.	Part No	Description	Qty
-----	---------	-------------	-----

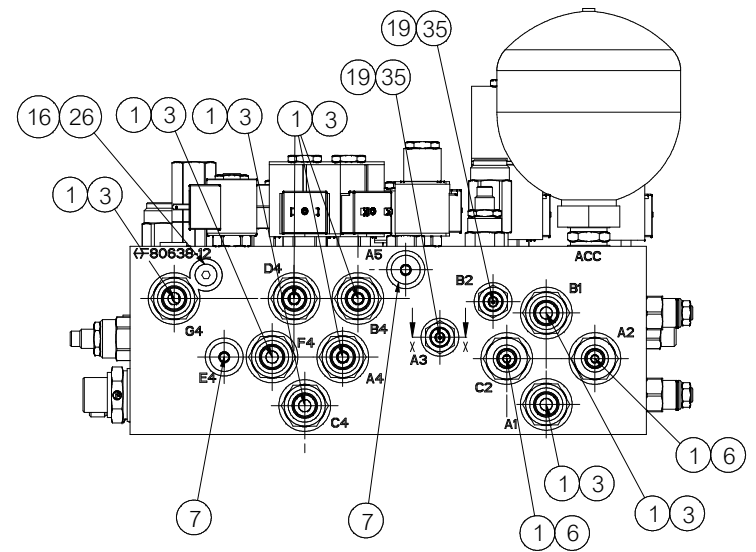
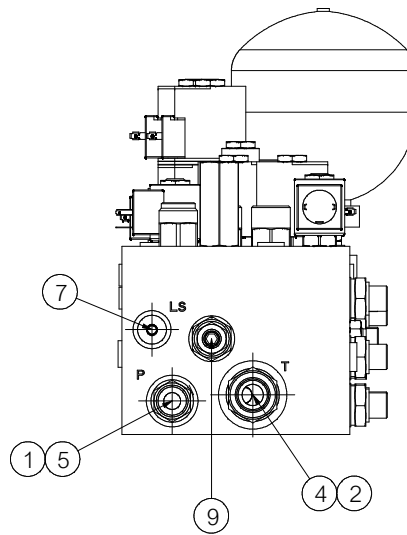
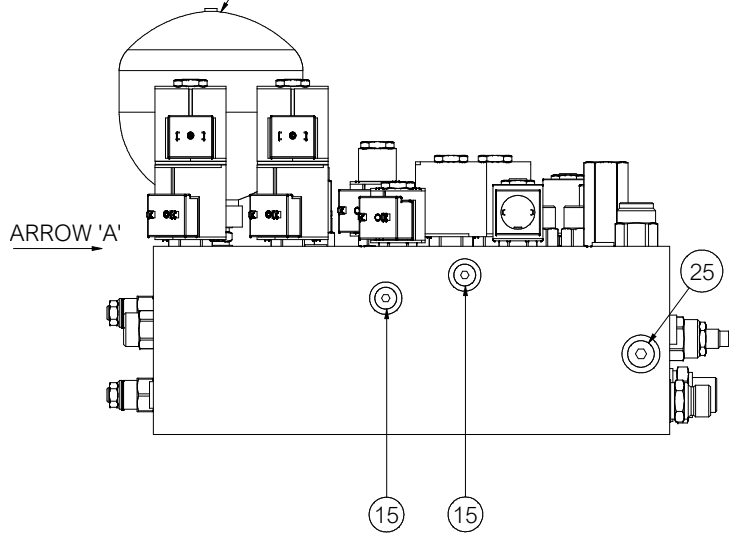
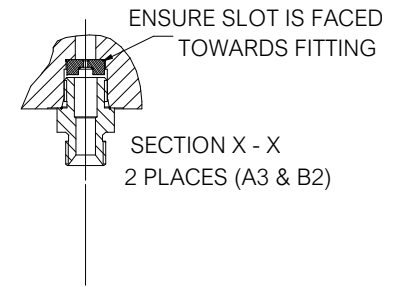
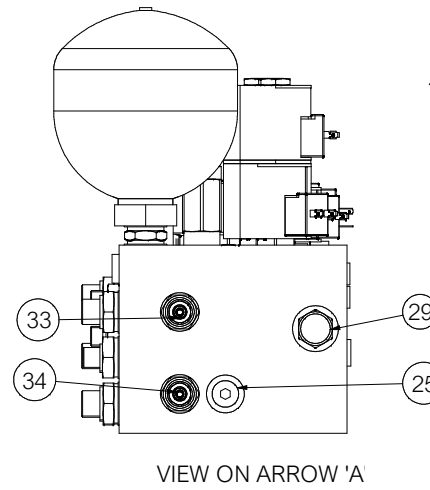
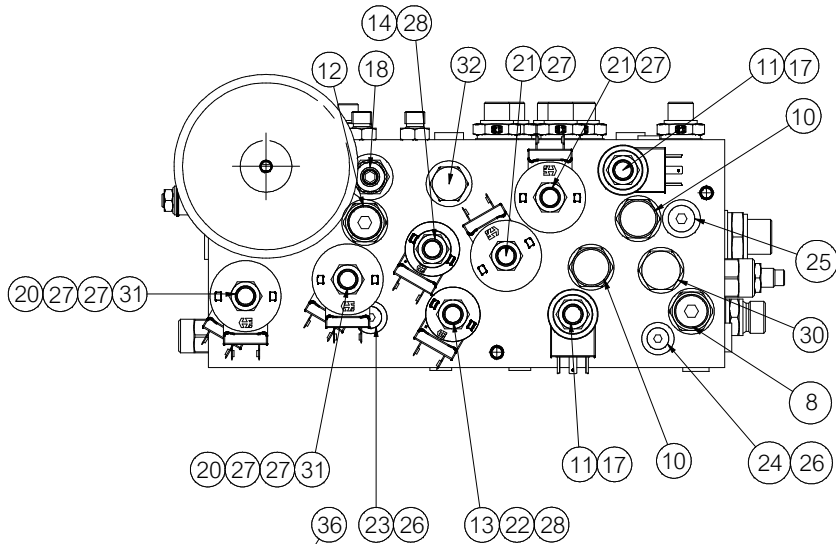
Hydraulic layout W2020 (882)



No.	Part No	Description	Qty
1	CHY02015	QUICK RELEASE 1/2" BSP MALE	4
2	CHY02040	QUICK RELEASE 3/8" BSP MALE	1
3	CHY02895	HA06-1000WJ-F0600N-F0690N-000 (A1 UP TO SERIAL 875020)	1
3	CHY02637	HA06-1140WJ-F0600N-F0690B-000	1
<i>A1 FROM SERIAL NO 875021 (ALSO ORDER CHY02008 ADAPTOR 1/2x3/8 FOR MACHINES PRIOR TO SERIAL NO 875141)</i>			
4	CHY02896	HA06-1125WJ-F0600N-F0690N-000 (B1 UP TO SERIAL 875020)	1
4	CHY02638	HA06-1100WJ-F0600N-F0690B-000	1
<i>B1 FROM SERIAL NO 875021 (ALSO ORDER CHY02008 ADAPTOR 1/2x3/8 FOR MACHINES PRIOR TO SERIAL NO 875141)</i>			
5	CHY02937	HA04-1150WJ-F0400N-F0490N-000 (A2 UP TO SERIAL 875020)	1
5	CHY02639	HA04-1160WJ-F0400N-F0490N-000	1
<i>A2 FROM SERIAL NO 875021</i>			
6	CHY02938	HA04-1150WJ-F0400N-F0400N-000 (B2 UP TO SERIAL 875020)	1
6	CHY02640	HA04-1040WJ-F0400N-F0400N-000	1
<i>B2 FROM SERIAL NO 875021</i>			
7	CHY02939	HA04-1075WJ-F0400N-B0400N-000 (C2 UP TO SERIAL 875020)	1
7	CHY02641	HA04-0990WJ-F0400N-B0400N-000	1
<i>C2 FROM SERIAL NO 875021</i>			
8	CHY02642	HA04-4000WJ-F0400N-F0490N-000	1
9	CHY02643	HA04-0385WB-B0400N-B0600N-000	1
10	CHY02904	HA06-1900WJ-F0600N-F0690B-000 (B4 UP TO SERIAL 875020)	1
10	CHY02906	HA06-1925WJ-F0600N-F0690B-000 (C4 UP TO SERIAL 875020)	1
10	CHY02646	HA06-2030WJ-F0600N-F0690B-000	2
<i>B4 & C4 FROM SERIAL NO 875021</i>			
11	CHY02903	HA06-1875WJ-F0600N-F0690B-000 (A4 UP TO SERIAL 875020)	1
11	CHY02905	HA06-2000WJ-F0600N-F0690B-000 (D4 UP TO SERIAL 875020)	1
11	CHY02647	HA06-1955WJ-F0600N-F0690B-000	2
<i>A4 & D4 FROM SERIAL NO 875021</i>			
12	CHY02648	HA06-3875WB-F0600N-B0800N-000	2
13	CHY02650	HA04-0250WB-F0490N-F0400N-000	1
14	CHY02651	HA08-0640WJ-F0800N-F0890N-000	1
15	CHY02652	HA08-1600WJ-F0800N-F0845N-000	1
16	CHY02653	HA10-1600WB-F1000N-F1090N-000	1
17	CHY02654	HA04-1750WB-F0400N-F0490N-000	1
18	CHY02799	HA04-1020WJ-F0400N-F0490B-000	2
19	CHY02801	HA04-0390WJ-F0490B-F0490B-000	1
20	CHY02802	HA04-0340WJ-F0490B-F0490B-000	1
21	CHY02803	HA04-0240WJ-F0400N-F0400N-000	1
22	CHY02885	HA04-0370WJ-F0400N-F0490B-000	1
<i>USED UP TO SERIAL No 875252 WITH RAM CRA00693</i>			
22	CHY02999	HA04-0740WJ-F0400N-F0490B-000	1
<i>USED FROM SERIAL No 875253 ONWARDS WITH RAM CRA00783</i>			
23	CMT00004	BRAKE UNIT HYDRAULIC	1
24	CMT00070	MOTOR 260CC 2BOLT 25SHAFT	2
25	CMT00262	MOTOR 140CC 25MM SHAFT	1
26	CRA00624	RAM 60X32 LIFT ARMS W2020	1
<i>ALSO ORDER 2x CHY02008 ADAPTORS 1/2M X 3/8M FOR MACHINES PRIOR TO SERIAL NO 875141</i>			
27	CRA00627	RAM 35X16 CUT & HOLD W2020	1
<i>ALSO ORDER 1 OF EACH CVA00277, CHY00015 & CHY02010 FOR MACHINES PRIOR TO SERIAL NO 875040</i>			
28	CRA00632	RAM 50X25 FOLDING DISPENSER	1
29	CRA00693	RAM SIDE TIP (DOUBLE ACTING)	1
<i>USED ON SIDE TIP OPTION ONLY UP TO SERIAL No 875040</i>			

No.	Part No	Description	Qty
29	CRA00783	RAM SIDE TIP (SINGLE ACTING)	1
<i>USED FROM SERIAL No 875041 (ALSO ORDER 2X CFA00773, 2X CSG00281 & 1X CHY02999 UP TO SERIAL No 875253)</i>			
30	CRA00698	HYDRAULIC TOP LINK 510MM (20") CAT2	1
31	CVA00315	FILTER IN-LINE MEDIUM PRESSURE	1
31	CVA00316	FILTER ELEMENT FOR CVA00315 IN-LINE	1
33	CVA00344	VALVE CTE SAE10 RELIEF 220BAR	1
34	CVA00577	ACCUMULATOR 1LT 50BAR LINKAGE WRAPPER	1
35	CVA00578	VALVE CONTROL 2010 WRAPPER	1
36	CVA00594	VALVE DISPENSER ROTATION	1
37	CVA00596	VALVE REVERSER SLICE W2020	1
<i>USED ON DISPENSER REVERSE OPTION ONLY</i>			
38	CVA00606	NEEDLE VALVE NV10-20A-0-N HF	1
39	CVA00607	PRESSURE COMPENSATOR HYDRAFORCE	2
40	CVA00608	PROPORTIONAL CARTRIDGE HYDRAFORCE	2
41	CVA00609	RELIEF VALVE HYDRAFORCE	1
42	CVA00610	SOLENOID VALVE HYDRAFORCE	1
43	CVA00611	SOLENOID VALVE HYDRAFORCE	1
44	CVA00612	CHECK VALVE HYDRAFORCE	2
45	CVA00615	HYDRAULIC SLIP RING ASSEMBLY W2020	1
<i>INCLUDES PIPE CVA00617</i>			
47	CVA00618	ORIFICE PLUG 3.8MM 6112150	1
48	CVA00633	NEEDLE VALVE HYDRAFORCE	1
49	CVA00643	ORIFICE HF PLATE 4571920	2
50	CVA00644	VALVE 5-WAY 3 POSITION SV10-57D-0-N-00	2
51	CVA00645	VALVE 4-WAY 2 POSITION SV10-40A-0-N-00	3
52	CVA00646	ORIFICE DISC HF 2MM 7057079	1
53	CVA00647	ORIFICE PLUG HF 2MM 6112079	1
54	CVA00648	ORIFICE PLUG HF 0.75MM 6112030	1
55	CVA00653	VALVE HF 08 CTE FLOW COMP FIXED FR08-20F-0-N/MO.4	1
56	CVA00654	VALVE HF COMP 3-WAY EP10-S35T-0-N-230	1
57	CVA00655	CHECK VALVE DISC CVD10	2
58	CVA00656	CAVITY PLUG 08 2-WAY HF CLOSED CP08-20-0-N	1
59	CVA00657	COUNTER BALANCE VALVE SUN 4170290/M150	1
60	CVA00658	COUNTER BALANCE VALVE SUN 4170290/M280	1
61	CVA00660	VALVE HF CTE SF08-23-0-P-00	1
<i>FROM SERIAL No 875011 ONWARDS (CONSULT FACTORY FOR MACHINES PRIOR TO THIS SERIAL No)</i>			
61	CVA00652	COIL HF E-SERIES 12V SIZE-08 4305862	1
<i>REPLACEMENT COIL FOR CVA00660 FROM SERIAL No 875011 ONWARDS</i>			
62	CVA00661	VALVE HF CTE SEQUENCE PS08-30H-0-N-13/M40	1
<i>FROM SERIAL No 875011 ONWARDS (CONSULT FACTORY FOR MACHINES PRIOR TO THIS SERIAL No)</i>			
63	CVA00662	SAE PLUG SIZE-8 OPEN 6103008	1
<i>FROM SERIAL No 875011 ONWARDS (CONSULT FACTORY FOR MACHINES PRIOR TO THIS SERIAL No)</i>			
64	CVA00663	VALVE HF CTE OVER CENTRE SUN CBB-D-LKN	1
<i>FROM SERIAL No 875011 ONWARDS (CONSULT FACTORY FOR MACHINES PRIOR TO THIS SERIAL No)</i>			
65	CVA00664	VALVE HF CTE CHECK CV08-20-0-N-04	1
<i>FROM SERIAL No 875011 ONWARDS (CONSULT FACTORY FOR MACHINES PRIOR TO THIS SERIAL No)</i>			
66	CVA00665	VALVE HF CTE CHECK ORIFICE FC08-20F-0-N-H-10	1
67	CVA03009	VALVE DUMP 60 BAR	1
68	CVA03011	ACCUMULATOR 0.7 LITRE 70 BAR	3

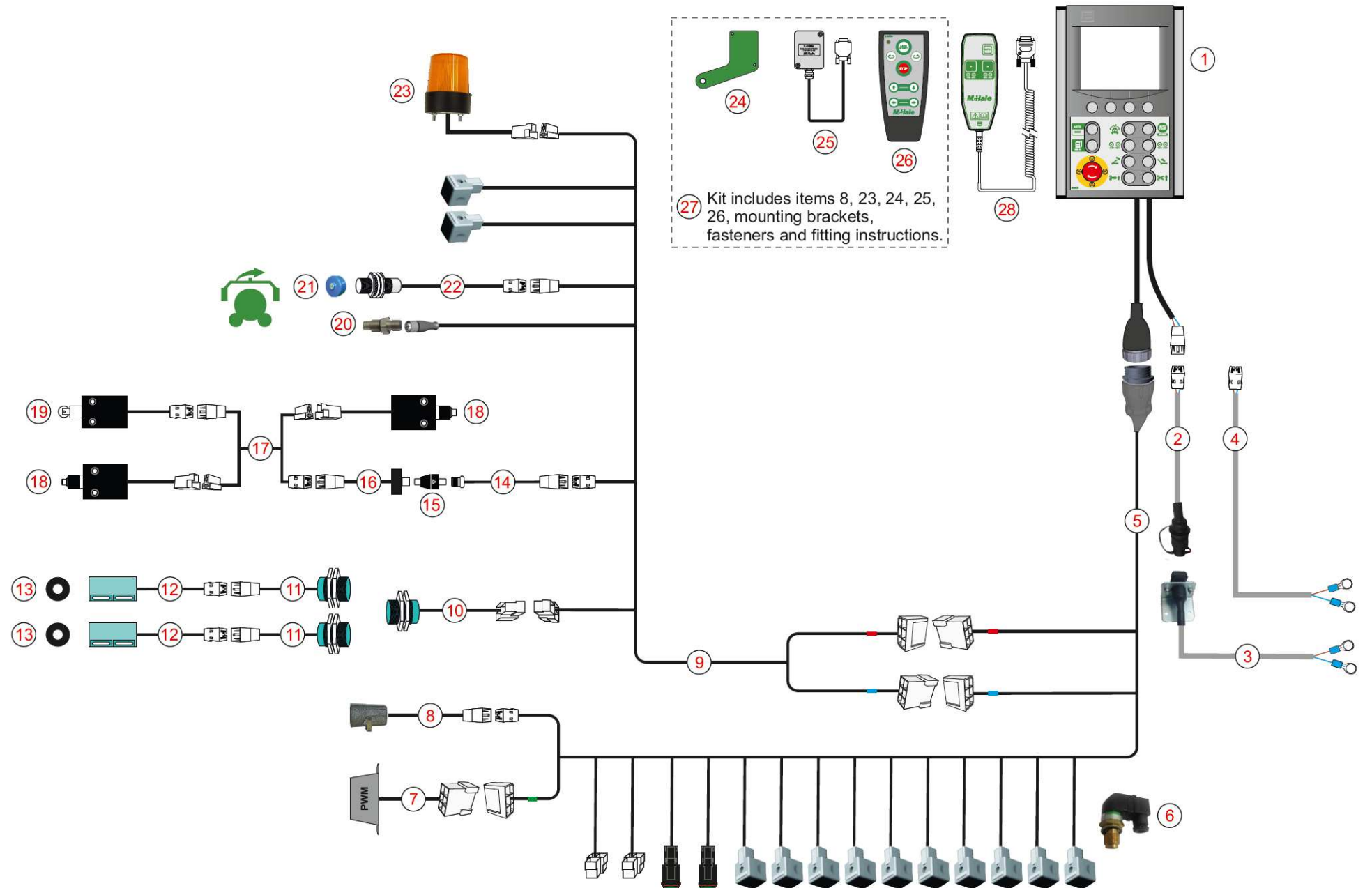
Hydraulic valve main control CVA00578 (883)



No.	Part No	Description	Qty
0	CVA00578	VALVE CONTROL 2020 WRAPPER	1
<i>INCLUDES ITEMS 1 THROUGH 36</i>			
1	CHY00053	WASHER DOWTY 1/2	11
2	CHY00057	ADAPTOR 5/8 M 3/4 M	1
3	CHY02008	ADAPTOR 1/2 M 3/8 M	8
4	CHY02012	WASHER DOWTY 3/4	1
5	CHY02013	ADAPTOR 1/2 BSP M/M	1
6	CHY02085	ADAPTOR 1/2M - 1/4M	2
7	CVA00176	PLUG BSP 1/4 ALLEN HD +SEAL	3
8	CVA00344	VALVE CTE SAE10 RELIEF 220BAR	1
8a	CSE00668	SEAL KIT SAE10 2WAY CTE HYF	1
9	CVA00606	NEEDLE VALVE NV10-20A-0-N HF	1
9a	CSE00670	SEAL KIT SAE10 2WAY CTE HYF	1
10	CVA00607	PRESSURE COMPENSATOR HYDRAFORCE	2
10a	CSE00672	SEAL KIT SAE10 3WAY CTE HYF	2
11	CVA00608	PROPORTIONAL CARTRIDGE HYDRAFORCE	2
11a	CSE00667	SEAL KIT SAE08 2WAY CTE HYF	2
12	CVA00609	RELIEF VALVE HYDRAFORCE	1
12a	CSE00667	SEAL KIT SAE08 2WAY CTE HYF	1
13	CVA00610	SOLENOID VALVE HYDRAFORCE	1
13a	CSE00665	SEAL KIT SAE08 3WAY CTE HYF	1
14	CVA00611	SOLENOID VALVE HYDRAFORCE	1
14a	CSE00666	SEAL KIT SAE08 2WAY CTE HYF	1
15	CVA00612	CHECK VALVE HYDRAFORCE	2
15a	CSE00673	SEAL KIT SAE04 2WAY CTE HYF	2
16	CVA00618	ORIFICE PLUG 3.8MM 6112150	1
17	CVA00673	COIL 10V DEUTSCH PROP	2
<i>ALSO ORDER 2x CEL01509 FOR MACHINES PRIOR TO SERIAL No 875216 (REPLACES CVA00631)</i>			
18	CVA00633	NEEDLE VALVE HYDRAFORCE	1
18a	CSE00666	SEAL KIT SAE08 2WAY CTE HYF	1
19	CVA00643	ORIFICE HF PLATE 4571920	2
20	CVA00644	VALVE 5-WAY 3 POSITION SV10-57D-0-N-00	2
21	CVA00645	VALVE 4-WAY 2 POSITION SV10-40A-0-N-00	2
21a	CSE00664	SEAL KIT SAE10 4WAY CTE HYF	2
22	CVA00646	ORIFICE DISC HF 2MM 7057079	1
23	CVA00647	ORIFICE PLUG HF 2MM 6112079	1
24	CVA00648	ORIFICE PLUG HF 0.75MM 6112030	1
25	CVA00649	SAE PLUG SIZE-6 6103006	3
26	CVA00650	SAE PLUG SIZE-4 6103004	3
27	CVA00651	COIL HF E-SERIES 12V SIZE-10 4305882	6
28	CVA00652	COIL HF E-SERIES 12V SIZE-08 4305862	2
29	CVA00653	VALVE HF 08 CTE FLOW COMP FIXED FR08-20F-0-N/MO.4	1
29a	CSE00666	SEAL KIT SAE08 2WAY CTE HYF	1
30	CVA00654	VALVE HF COMP 3-WAY EP10-S35T-0-N-230	1
30a	CSE00671	SEAL KIT SAE10 3WAY CTE HYF	1
31	CVA00655	CHECK VALVE DISC CVD10	2
31a	CSE00663	SEAL KIT SAE10 5WAY CTE HYF	2
32	CVA00656	CAVITY PLUG 08 2-WAY HF CLOSED CP08-20-0-N	1
32a	CSE00666	SEAL KIT SAE08 2WAY CTE HYF	1

No.	Part No	Description	Qty
33	CVA00657	COUNTER BALANCE VALVE SUN 4170290/M150	1
33a	CSE00674	SEAL KIT SUN CB VALVE CTE	1
34	CVA00658	COUNTER BALANCE VALVE SUN 4170290/M280	1
34a	CSE00674	SEAL KIT SUN CB VALVE CTE	1
35	CVA00642	SAE06-1/4 BSPP ADAPTER 4160354	2
36	CVA03011	ACCUMULATOR 0.7 LITRE 70 BAR	3

Electrical control (886)



No.	Part No	Description	Qty
1	CEL00734	CTRL EXPERT PLUS W2020	1
2	CEL00064	LOOM COBO WHITE CON EURO LEAD	1
3	CEL00010	EURO SOCKET TO BATT POWER LEAD	1
4	CEL00031	BAT POWER LEAD CTRL BOX DIRECT	1
5	CEL01518	MAIN LOOM W2020 MK2	1
<i>USED FROM SERIAL No 875216 (ALSO ORDER 2X CVA00673 TO FIT ON MACHINES PRIOR TO THIS SERIAL No)</i>			
5	CEL00737	MAIN LOOM W2020 WRAPPER	1
<i>USED UP TO SERIAL No 875215 (ALSO ORDER 2 X CEL01509 TO FIT ON MACHINES AFTER THIS SERIAL No)</i>			
5a	CEL01509	DEUTSCH TO MALE DIN43650 ADAPTER	2
<i>ADAPTOR CABLE TO CONNECT FWD ROTATE 10V COIL TO #3 DIN CONNECTOR ON MAIN LOOM CEL00737 ONLY</i>			
5b	CVA00673	COIL 10V DEUTSCH PROP	2
<i>ONLY REQUIRE THIS PART IF FITTING CEL01518 TO MACHINES PRIOR TO SERIAL No 875216</i>			
6	CVA00362	FILTER BLOCKED SWITCH	1
7	CEL00193	PWM MODULE CONSTANT CURRENT	1
8	CEL00220	WARNING BUZZER COMPLETE ASY	1
9	CEL00738	SUB LOOM ARCH SATELLITE LINKAGE WRAPPER	1
10	CEL00299	SENSOR FILM BREAK ELECTROMAGNETIC	1
11	CEL00300	TRANSMITTER FILM BREAK ELECTROMAGNETIC	2
12	CEL00349	PICKUP COIL 67x35mm SECATEC	2
13	CEL00735	MAGNET 20MM DIA X10MM CSK BOTH SIDES	8
14	CEL00045	CON ASY SLIPRING 2 WAY TOP	1
15	CEL00047	SLIPRING ROTARY CON	1
16	CEL00881	SLIPRING ASSY BOTTOM W2020	1
17	CEL00895	SAFETY SWITCH ADAPTOR W2020	1
18	CEL00704	SEALED PLUNGER LIMIT SWITCH	1
19	CEL00789	SEALED LIMIT SWITCH ROLLER	1
20	CEL00810	HYDRAULIC MOTOR SPEED SENSOR	1
21	CEL00017	MAGNET BLUE WHEEL	1
22	CEL00745	SENSOR ROTATE SAT LINKAGE WRAPPER	1
23	CEL00292	AMBER XENON BEACON	1
24	CZC04362	RADIO REMOTE RECEIVER BRACKET	1
<i>FROM SERIAL 875216 ONWARDS</i>			
25	CEL00665	433 MHZ RADIO REMOTE RECEIVER	1
<i>FROM SERIAL 875216 ONWARDS</i>			
25	CEL01644	2.4 GHZ RADIO REMOTE RECEIVER	1
<i>FROM SERIAL 875216 ONWARDS</i>			
26	CEL00664	433 MHZ REMOTE HAND PIECE R/C	1
<i>FROM SERIAL 875216 ONWARDS</i>			
26	CEL01643	2.4 GHZ RADIO REMOTE TRANSMITTER	1
<i>FROM SERIAL 875216 ONWARDS</i>			
27	KST00108	KIT 2.4 GHZ RADIO REMOTE W2020	1
<i>SERIAL 875216 ONWARDS (INCLUDES ITEMS 8, 23, 24, 25 & 26, MTG BRACKETS, FASTENERS & FITTING INSTRUCTIONS)</i>			
28	CEL00819	WIRED REMOTE W2020	1

No.	Part No	Description	Qty
-----	---------	-------------	-----

Expert plus control unit (1075)



No.	Part No	Description	Qty
1	CEL00277	CTRL EXPERT PLUS FUSION 2/3	1
1	CEL00647	CTRL EXPERT PLUS FUS 2/3 RECON	1
1	CEL01600	CTRL EXPERT PLUS 3 FUSION	1
1	CEL01775	CTRL EXPERT PLUS 3 FUS 2/3 RECON	1
1	CEL00675	CTRL EXPERT PLUS V6	1
1	CEL00770	CTRL EXPERT PLUS V6 RECON	1
1	CEL01553	CTRL EXPERT PLUS 3 V6	1
1	CEL01774	CTRL EXPERT PLUS 3 V6 RECON	1
1	CEL00993	CTRL EXPERT PLUS ORBITAL	1
1	CEL00377	CTRL EXPERT PLUS ORBITAL RECON	1
1	CEL00734	CTRL EXPERT PLUS W2020	1
1	CEL00374	CTRL EXPERT PLUS W2020 RECON	1
1	CEL00631	CTRL EXPERT PLUS F5600	1
1	CEL00644	CTRL EXPERT PLUS F5600 RECON	1
1	CEL01555	CTRL EXPERT PLUS 3 F5600 PLUS	1
1	CEL01773	CTRL EXPERT PLUS 3 F5600 PLUS RECON	1
2	CEL00290	EXPERT PLUS CONTROL BOX SCREEN	1
3	CEL00322	SCREEN PROTECTOR EXPERT PLUS	1
4a	CEL00326	BATTERY EXPERT/EXPERT PLUS	1
4b	CEL00291	BATTERY AUTO BOX	1
5	CEL00365	CTRL UNIT CONNECTOR LOCK RING	1
6	CEL00670	CONTROL UNIT STOP SWITCH	1
7	CEL00671	STOP SWITCH CONTACT BLOCK	1
8	CEL00359	EXPERT PLUS 1 CABLE+PLATE F2/3	1
8	CEL00360	EXPERT PLUS 1 CABLE + PLATE V6	1
8	CEL00384	EXPERT PLUS 3 CABLE+PLATE F2/3	1
8	CEL00385	EXPERT PLUS 3 CABLE+PLATE V6	1
9	CEL00064	LOOM COBO WHITE CON EURO LEAD	1
9	CEL01581	POWER LEAD USA	1
<i>NORTH AMERICA ONLY</i>			
10	CEL00010	EURO SOCKET TO BATT POWER LEAD	1
11	CEL00254	RDS EXPERT UPLOAD KIT	1
12	CEL00031	BAT POWER LEAD CTRL BOX DIRECT	1
13	CPL00007	VACUUM PAD FLAT BACK	1
14	KST00070	CONTROL UNIT MOUNTING BRACKETS	1
15	CEL00098	CON HSG TAB 2 WAY AMP 180924-0	1
16	CEL00027	TERM CRIMP TAB AMP NO 42565-2	1
17	CEL00382	EXPERT PLUS 1 KEYPAD MEMBRANE	1
17	CEL00383	EXPERT PLUS 3 KEYPAD MEMBRANE	1
18	CEL01603	OVERLAY EXPERT PLUS 3 V6	1
18	CEL01604	OVERLAY EXPERT PLUS 3 F5600/PLUS	1
18	CEL01605	OVERLAY EXPERT PLUS 3 FUSION	1
19	CEL00343	OVERLAY EXPERT PLUS F560	1
19	CEL00344	OVERLAY EXPERT PLUS FUSION 2	1
19	CEL00345	OVERLAY EXPERT PLUS V660	1
19	CEL00995	OVERLAY EXPERT PLUS ORBITAL	1
19	CEL01577	OVERLAY EXPERT PLUS W2020	1
20	CEL00325	SPEAKER EXPERT PLUS	1
21	CEL00368	EPROM EXPERT PLUS	1

No.	Part No	Description	Qty
21	CEL00398	EPROM CANBUS EXPERT PLUS 1	1
<i>USED ON FUSION 2 BARREL WRAP (NRF) EXPERT PLUS CONTROL BOX ONLY</i>			
22	CEL01626	RUBBER USB COVER EXPERT PLUS 3	1
23	CEL01761	USB MEMORY DRIVE EXPERT PLUS 3	1
24	CEL01753	CONTROL UNIT STOP SWITCH NUT	1
25	CEL00122	CON 9 WAY D PLUG MALE	1
26	CEL00315	PLUG 9 WAY D-TYPE (10 PACK)	1
27	CEL00316	BACKSHELL 9 WAY D-TYPE	1
28	CEL00664	433 MHZ REMOTE HAND PIECE R/C	1
29	CEL00665	RADIO REMOTE RECEIVER	1
30	CEL01643	2.4 GHZ RADIO REMOTE TRANSMITTER	1
31	CEL01644	2.4 GHZ RADIO REMOTE RECEIVER	1
32	CEL01523	ORBITAL HAND CONTROLLER	1
33	CEL00819	WIRED REMOTE W2020	1

Camera & monitor kit (1079)

1



2



3



4



5a



5b



6



7



8



9



9a



10



11



12



13

Kit containing these 3 items

14



15



16



17

Kit containing these 3 items

18



19



20



21



22



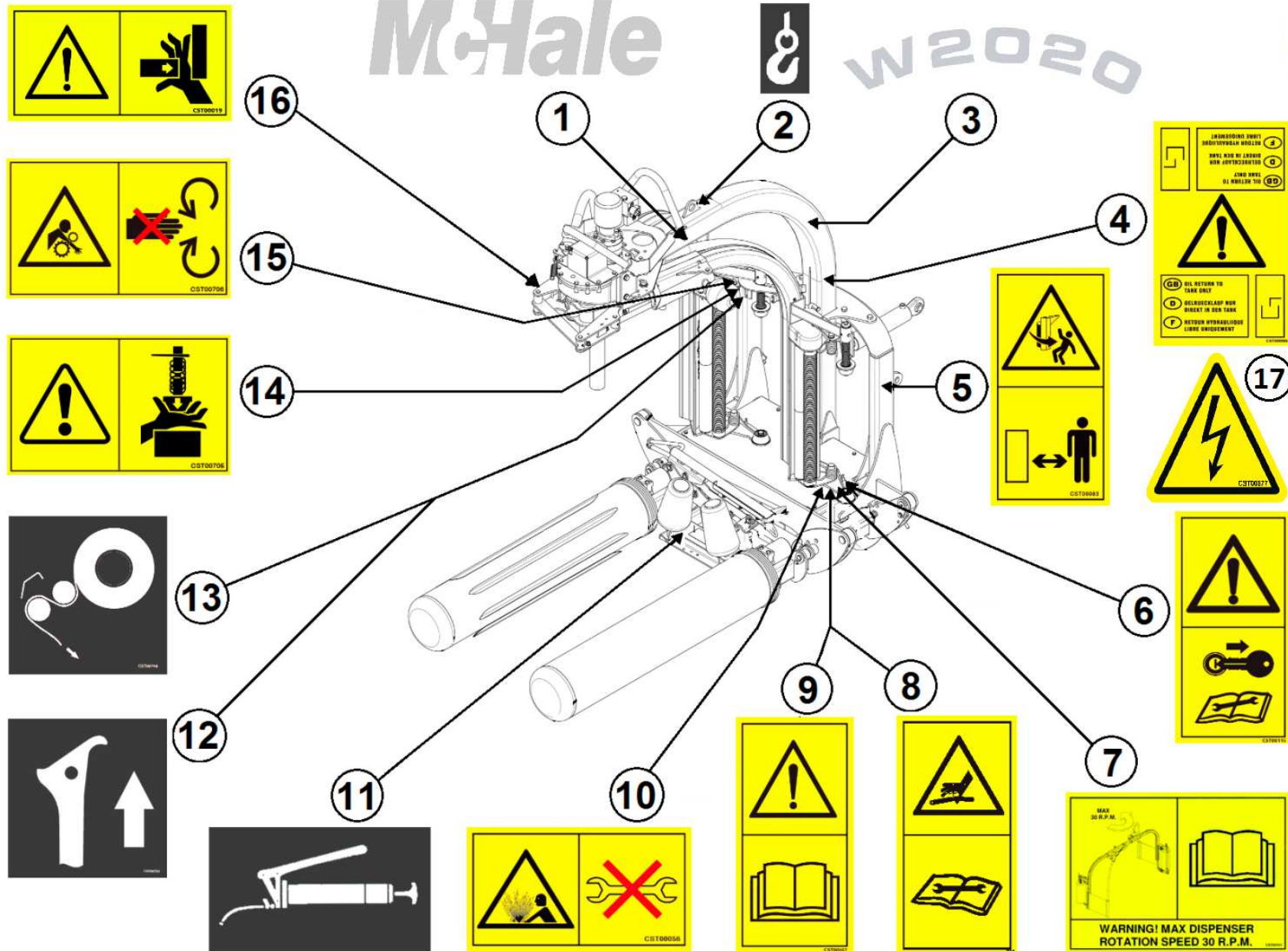
23

Kit containing all of these items

No.	Part No	Description	Qty
1	CEL00961	CAMERA MALE PHONO CONNECTOR	1
2	CEL01371	RCA PHONO SOCKET FEMALE 2WAY	1
3	CEL01593	DOUBLE PHONO ADAPTOR	1
4	CEL01630	FUSE 250MA 5X20MM GLASS	1
4	CEL01631	FUSE 500MA 5X20MM GLASS	1
5a	CEL01609	ISOCAN - FENDT CAMERA ADAPTOR	1
5b	CEL01747	4 PIN - FENDT CAMERA ADAPTER	1
6	CEL01520	SECOND CAMERA POWER ADAPTER	1
7	CEL01585	PHONO TO CAMERA CONNECTOR	1
8	CEL01532	TWIN CAMERA ADAPTER	1
9	KST00074	CAMERA MOUNTING KIT	1
<i>INCLUDES CONNECTOR CABLE (ITEM 9a)</i>			
9a	CEL00034	LOOM POWER CCTV & AUTO CONT'	1
10	CEL00903	CAMERA-ISOCAN SIGNAL CABLE	1
11	CEL00900	COLOUR CAMERA MK1	1
12	CEL01541	CAMERA EXTENSION 5M HIGH-FLEX	1
13	KST00064	2ND CAMERA KIT ISOCAN	1
<i>INCLUDES ITEMS 10, 11 & 12</i>			
14	CEL01506	CAMERA MONITOR	1
15	CEL01550	CAMERA EXTENSION CABLE 10M	1
15	CEL01556	CAMERA EXTENSION CABLE 3M	1
16	CEL01533	COLOUR CAMERA MK2	1
17	KST00068	CAMERA & MONITOR KIT	1
<i>INCLUDES ITEMS 14, 15 & 16</i>			
18	CEL01655	QUAD CAMERA MONITOR	1
19	CEL00064	LOOM COBO WHITE CON EURO LEAD	1
20	CEL01550	CAMERA EXTENSION CABLE 10M	2
21	CEL01533	COLOUR CAMERA MK2	2
22	ATR00047	DOUBLE CAMERA BRACKET COMP ASSY	1
23	KST00100	DUAL CAMERA COMP KIT FRT MOWER	1
<i>INCLUDES ITEMS 18, 19, 20, 21 & 22</i>			

No.	Part No	Description	Qty
-----	---------	-------------	-----

Decals (887)



No. Part No	Description	Qty
0 CST00700	DECAL KIT W2020 LINKAGE WRAPPER	2
<i>INCLUDES ITEMS (1&3)</i>		
1 CST00079	DECAL MCHALE HEIGHT 90MM	2
2 CST00032	DECAL LIFTING HOOK	2
3 CST00718	DECAL 'W2020' LINKAGE WRAPPER	2
4 CST00006	DECAL FREEFLOW RETURN TO TANK	1
5 CST00083	DECAL DISPENSER SAFETY	2
6 CST00015	DECAL REMOVE KEY 226	1
7 CST00701	DECAL DISPENSER MAX SPEED 30RPM	2
8 CST00016	DECAL HYD WARNING 244	2
9 CST00057	DECAL READ MANUAL F9	1
10 CST00056	DECAL ACCUMULATOR WARNING	3
11 CST00060	DECAL GREASE GUN MCH 004	12
12 CST00703	DECAL DISPENSER LATCH HANDLE	2
13 CST00704	DECAL PLASTIC FILM PATH	2
14 CST00705	DECAL DISPENSER HAND CRUSH	2
15 CST00706	DECAL ROTATING ELEMENTS	2
16 CST00019	DECAL CRUSHED HAND MCH-005	3
17 CST00877	ELECTRICAL HAZARD WARNING CONTROL BOXES	1

No. Part No	Description	Qty
-------------	-------------	-----